



FT - 801

Fisheries Dedicated Radio Dual Signaling

REGISTER OF FISHING VESSEL OF P.R.C. : C0000700041

National Security and Emergency Communications Network Offshore Fishery



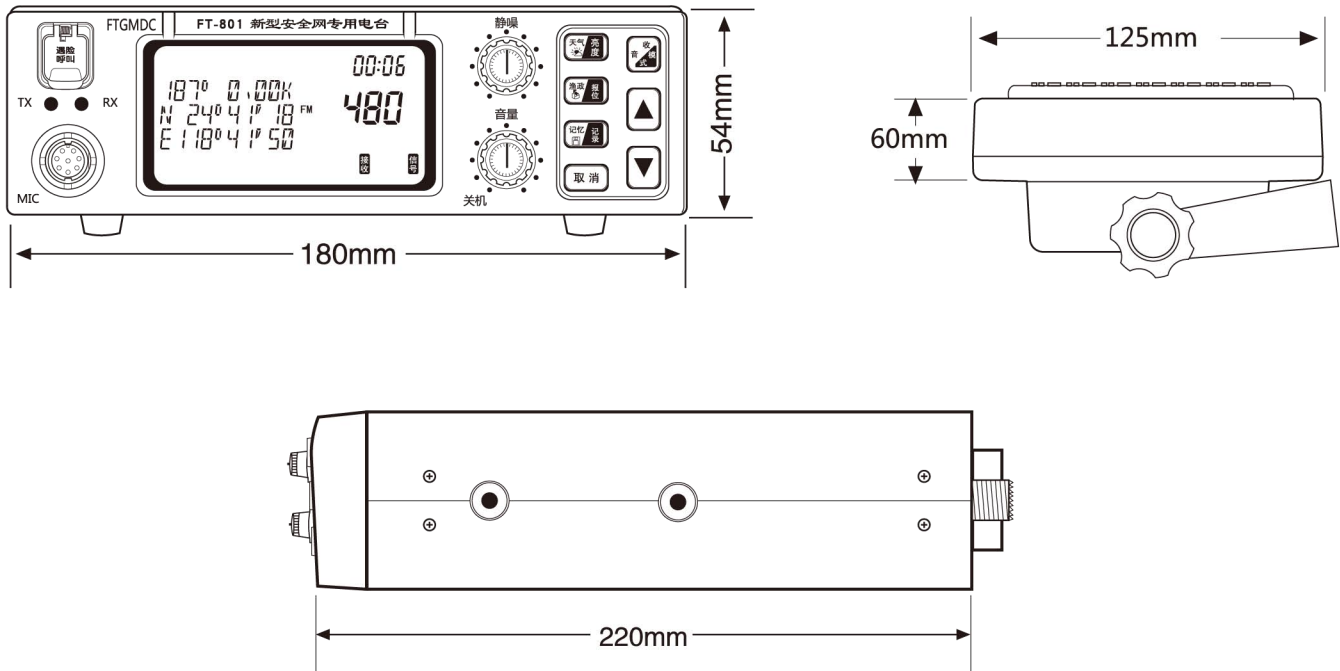
- With distress call , select call, group call, all call, sea and other communications functions call etc.
- National unity networking: able to access the nation's coastal fisheries establishment of several shore station for receiving emergency aid management and undo edits sea conditions forecast.
- Ship's position information be sent automatically and display functions.
- Full-band multi-channel: 27.5 ~ 39.475MHz, total 480 channels to work.
- Receive AM (500KHz ~ 10MHz)Broadcasting station Information.
- Receive urgent sea condition and weather forecast news.
- Full channel or memory channel scan function.
- Fishery dedicated communication channel.
- Dual channel multi-watch receive function.
- World time clock and timer display function.
- Built-in GPS module function.
- Display navigation data functions.



FT-801 RADIO



Dimensions



Technical Specification

Receiver Specifications

Reference Sensitivity	: $\leq 0.2\mu\text{V}$ (SINAD12dB)
Deep Squelch Sensitivity	: $\leq 0.6\mu\text{V}$
Deep Squelch Blocking Threshold	: $\geq 5\text{KHz}$
Audio Output Power	: $\geq 2\text{W}$
Audio Distortion	: $\leq 7\%$
Audio Response To	: $+2 \sim -8\text{dB}$ (Relative per octave 6dB)
Modulation Receiving Bandwidth	: $\geq 2 \times 5\text{KHz}$
Adjacent Channel Selectivity	: $\geq 65\text{dB}$
Spurious Response	: $\geq 65\text{dB}$
Intermodulation Rejection Ratio	: $\geq 58\text{dB}$
Data Receiving Sensitivity	: $\leq 0.2\mu\text{V}$ (Received correctly)
AM Radio Receiver Frequency	: 500KHz-9999KHz

Transmitter Specifications

Frequency Stability	: $\leq 20\text{ppm}$
Output Power	: $\leq 25\text{W}$
Modulation Limit	: $\leq 5\text{KHz}$
Audio Distortion	: $\leq 7\%$
Modulation Characteristics	: $\pm 3\text{dB}$ (Relative per octave 6dB)
Modulation Sensitivity	: $\leq 15\text{mV}$
Spurious Emissions	: $\leq 5\mu\text{W}$

Overall Specifications

Frequency Range	: 27.5 - 39.5MHz
Channel Spacing	: 25KHz
Number of Channels	: 480 channels
Modulation Method	: FM (16KOG3E)
Power Supply	: DC12V or DC24V
Signal Format	: 300 baud rate ASK、1200 baud rate MSK
Operating Temperature	: $-15 \sim +55\text{ }^\circ\text{C}$
Dimensions	: 220(W) \times 180(H) \times 54(D) mm
Weight	: 2000g ($\pm 2\%$)

Standard Parts :

- Antenna 90-C
- GPS Antenna RG-58/U 50 Ω
- External audio FT-100/SP-5W
- Microphone FT-801

Note: Specifications are subject to be changed without notice.

Manufacturer :

Shishi Feitong Communication Equipment Co., Ltd.

Address : Fujian Shishi City Yong Ning Zhen Faith Toward
Development Zone's Floor

TEL : 0595-88481988 88480988 88499888

FAX : 0595-88482988 <http://www.cnft168.com>

Worldwide Sole Distributor & Agent (Exclude Mainland) :

E-Trust Marine Service Co., Ltd.

Address : 19F-1, No.29, Hai Bian Rd., Ling Ya
District, Kaohsiung City 80248, Taiwan

TEL : +886-7-269-5523 FAX : +886-7-269-5592

<http://www.etrust-marine.com>

E-mail: james.etrust@msa.hinet.net