

HF/50 MHz TRANSCEIVER

FTDX10

EH076H90A

©2021 YAESU MUSEN CO., LTD.

Introduction

This manual provides the technical information necessary for servicing the FTDX10 HF/50 MHz TRANSCEIVER.

Servicing this equipment requires expertise in handling surface-mount chip components. Attempts by non-qualified persons to service this equipment may result in permanent damage not covered by the warranty, and may be illegal in some countries.

While we believe the information in this manual to be correct, YAESU assumes no liability for damage that may occur as a result of typographical or other errors that may be present. Your cooperation in pointing out any inconsistencies in the technical information would be appreciated.

Contents

- Specifications
- Exploded View
- Block Diagram
- Connection Diagram
- Alignment
- Board Unit (Schematics, Layouts & Parts)
 - MAIN Unit
 - FINAL Unit
 - DISPLAY Unit
 - SW Unit
 - MEMORY Unit
 - VR Unit
 - ENC-A Unit
 - ENC-B Unit
 - DC-DC Unit

Important Note

This transceiver was assembled using Pb (lead) free solder, based on the RoHS specification.

Only lead-free solder (Alloy Composition: Sn-3.0Ag-0.5Cu) should be used for repairs performed on this apparatus. The solder stated above utilizes the alloy composition required for compliance with the lead-free specification, and any solder with the above alloy composition may be used.

General

Tx Frequency Ranges:	1.8 MHz - 54 MHz (Amateur bands only) 70 MHz - 70.5 MHz (UK Amateur bands only)
Rx Frequency Range:	30 kHz - 75 MHz (operating) 1.8 MHz - 29.699999 MHz (specified performance, Amateur bands only) 50 MHz - 53.999999 MHz (specified performance, Amateur bands only) 70 MHz - 70.499999 MHz (specified performance, UK Amateur bands only)
Emission Modes:	A1A (CW), A3E (AM), J3E (LSB, USB), F3E (FM), F1B (RTTY), G1B (PSK31)
Frequency Steps:	1/10 Hz (SSB, CW), 10/100 Hz (AM, FM)
Antenna Impedance:	50 Ohms, unbalanced (Antenna Tuner OFF) 16.7 - 150 Ohms, unbalanced (Antenne Tuner ON, 1.8 MHz - 29.7 MHz Amateur bands) 25 - 100 Ohms, unbalanced (Antenne Tuner ON, 50 MHz Amateur band)
Operating Temperature Range:	+32 °F to +122 °F (0 °C to +50 °C)
Frequency Stability:	±0.5 ppm (after 1 minute @+32 °F to +122 °F [0 °C to +50 °C])
Supply Voltage:	DC 13.8 V ± 15% (Negative Ground)
Power Consumption (Approx.):	Rx (no signal) 2.5 A Rx (signal present) 3 A Tx (100 W) 23 A
Dimensions (WxHxD):	10.5" x 3.6" x 10.4" (266 x 91 x 263 mm)
Weight (Approx.):	13.0 lbs (5.9 kg)

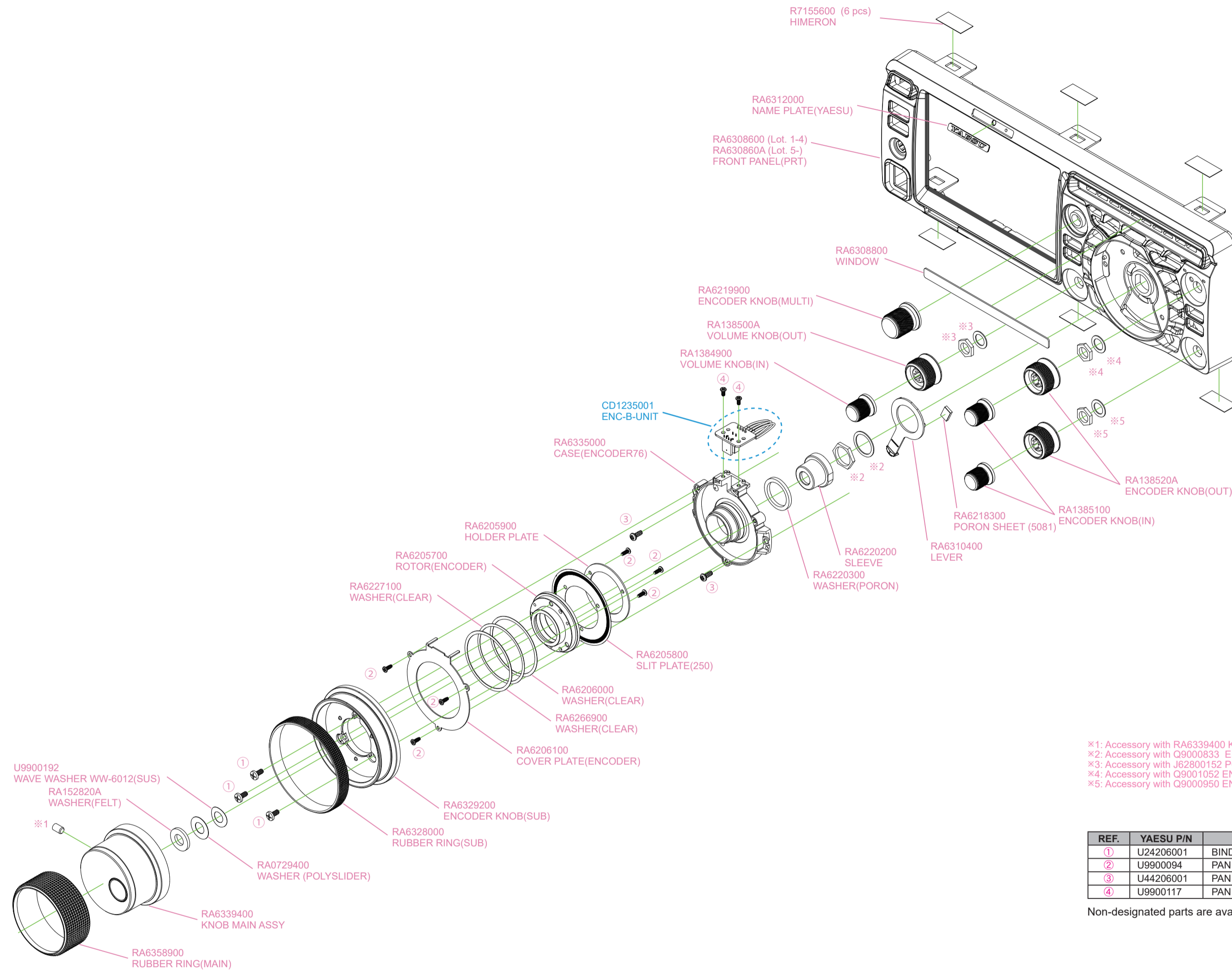
Transmitter

Power Output:	5 - 100 watts (5 - 25 W AM carrier)
Modulation Types:	J3E (SSB): Balanced, A3E (AM): Low-Level (Early Stage), F3E (FM): Variable Reactance
Maximum FM Deviation:	±5.0 kHz/±2.5 kHz (Narrow)
Harmonic Radiation:	Better than -50 dB (1.8 MHz - 29.7 MHz Amateur bands) Better than -63 dB (50 MHz Amateur band) Better than -60 dB (70 MHz UK Amateur band)
SSB Carrier Suppression:	At least 60 dB below peak output
Undesired Sideband Suppression:	At least 60 dB below peak output
3rd-order IMD:	-31 dB @ 14 MHz 100 W PEP
Bandwidth:	3 kHz (LSB/USB), 500 Hz (CW), 6 kHz (AM), 16 kHz (FM)
Audio Response (SSB):	Not more than -6 dB from 300 to 2700 Hz
Microphone Impedance:	600 Ohms (200 to 10 kOhms)

Receiver

Circuit Type:	Double Superheterodyne	
Intermediate Frequencies:	1 st: 9.005 MHz 2 nd: 24 kHz	
Sensitivity:	SSB, CW (BW: 2.4 kHz, 10 dB S+N/N) 1.8 MHz - 30 MHz 0.16 μ V (AMP2 "ON") 50 MHz - 54 MHz 0.125 μ V (AMP 2 "ON") 70 MHz - 70.5 MHz 0.16 μ V (AMP 2 "ON") AM (BW: 6 kHz, 10 dB S+N/N, 30 % modulation @400 Hz) 0.5 MHz - 1.8 MHz 7.9 μ V 1.8 MHz - 30 MHz 2 μ V (AMP 2 "ON") 50 MHz - 54 MHz 1 μ V (AMP 2 "ON") 70 MHz - 70.5 MHz 2 μ V (AMP 2 "ON") FM (1 kHz 3.5 kHz DEV BW: 12 kHz, 12 dB SINAD) 28 - 30 MHz 0.25 μ V (AMP 2 "ON") 50 MHz - 54 MHz 0.2 μ V (AMP 2 "ON") 70 MHz - 70.5 MHz 0.25 μ V (AMP 2 "ON")	
Selectivity (typ):	Mode	-6 dB -60 dB
	CW (BW: 0.5 kHz)	0.5 kHz or better 750 Hz or less
	SSB (BW: 2.4 kHz)	2.4 kHz or better 3.6 kHz or less
	AM (BW: 6 kHz)	6 kHz or better 15 kHz or less
	FM (BW: 12 kHz)	12 kHz or better 25 kHz or less
Image Rejection:	70 dB or better (1.8 MHz - 28 MHz Amateur bands) 60 dB or better (50 MHz Amateur band) 60 dB or better (70 MHz UK Amateur band)	
Maximum Audio Output:	2.5 W into 4 Ohms with 10% THD	
Audio Output Impedance:	4 to 16 Ohms (4 Ohms: nominal)	
Conducted Radiation:	Less than 4 nW	

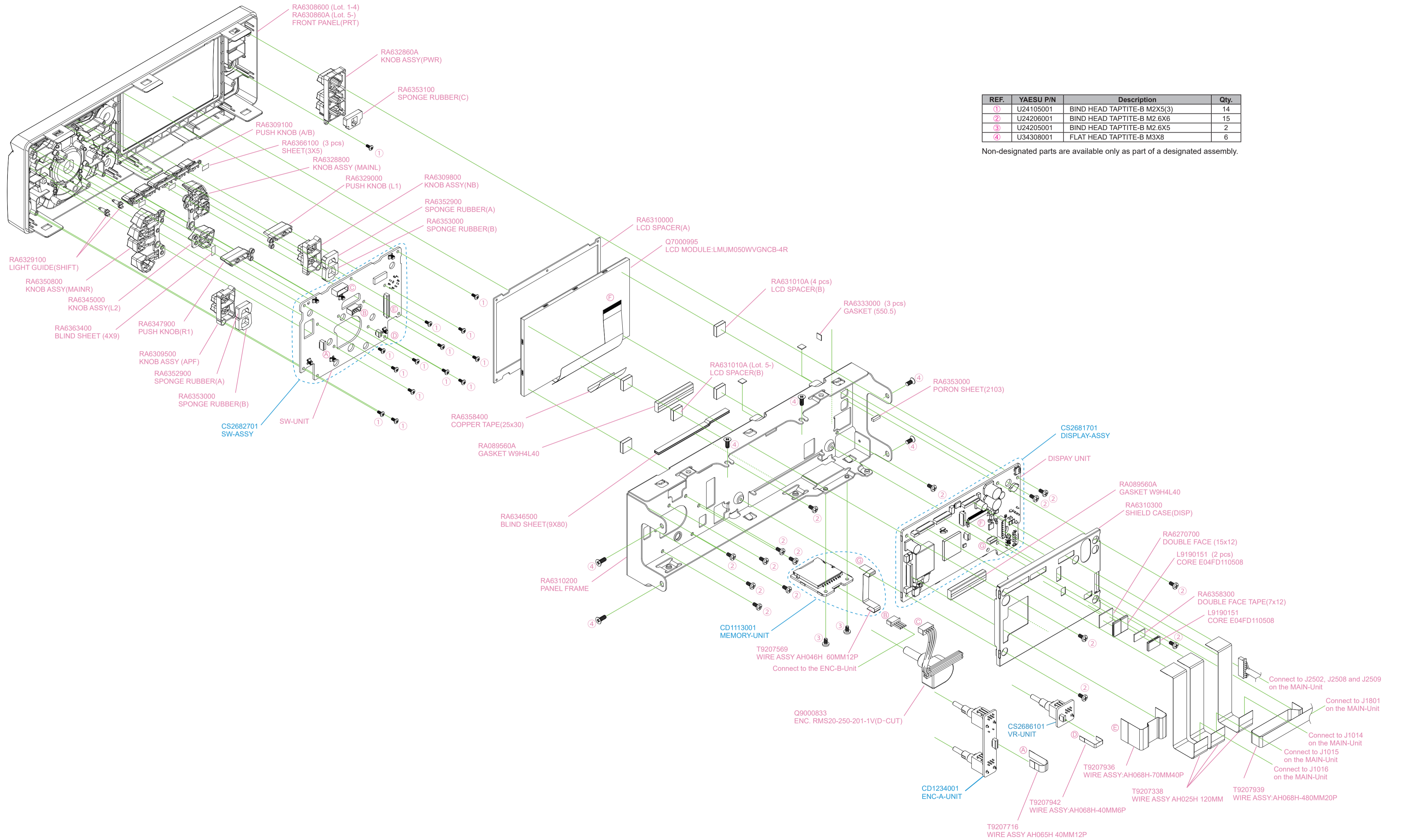
Specifications are subject to change, in the interest of technical improvement, without notice or obligation, and are guaranteed only within the amateur bands.



※1: Accessory with RA6339400 KNOB MAIN ASSY
 ※2: Accessory with Q9000833 ENC. RMS20-250-201-1V(D-CUT)
 ※3: Accessory with J62800152 POT:RH96D1144 25F RY-10302 (VR6901) on the VR-UNIT
 ※4: Accessory with Q9001052 ENCODER:RH90D265AE20-25F (S7001) on the ENC-A-UNIT
 ※5: Accessory with Q9000950 ENCODER RH90D265E20 RY-10164 (S7002) on the ENC-A-UNIT

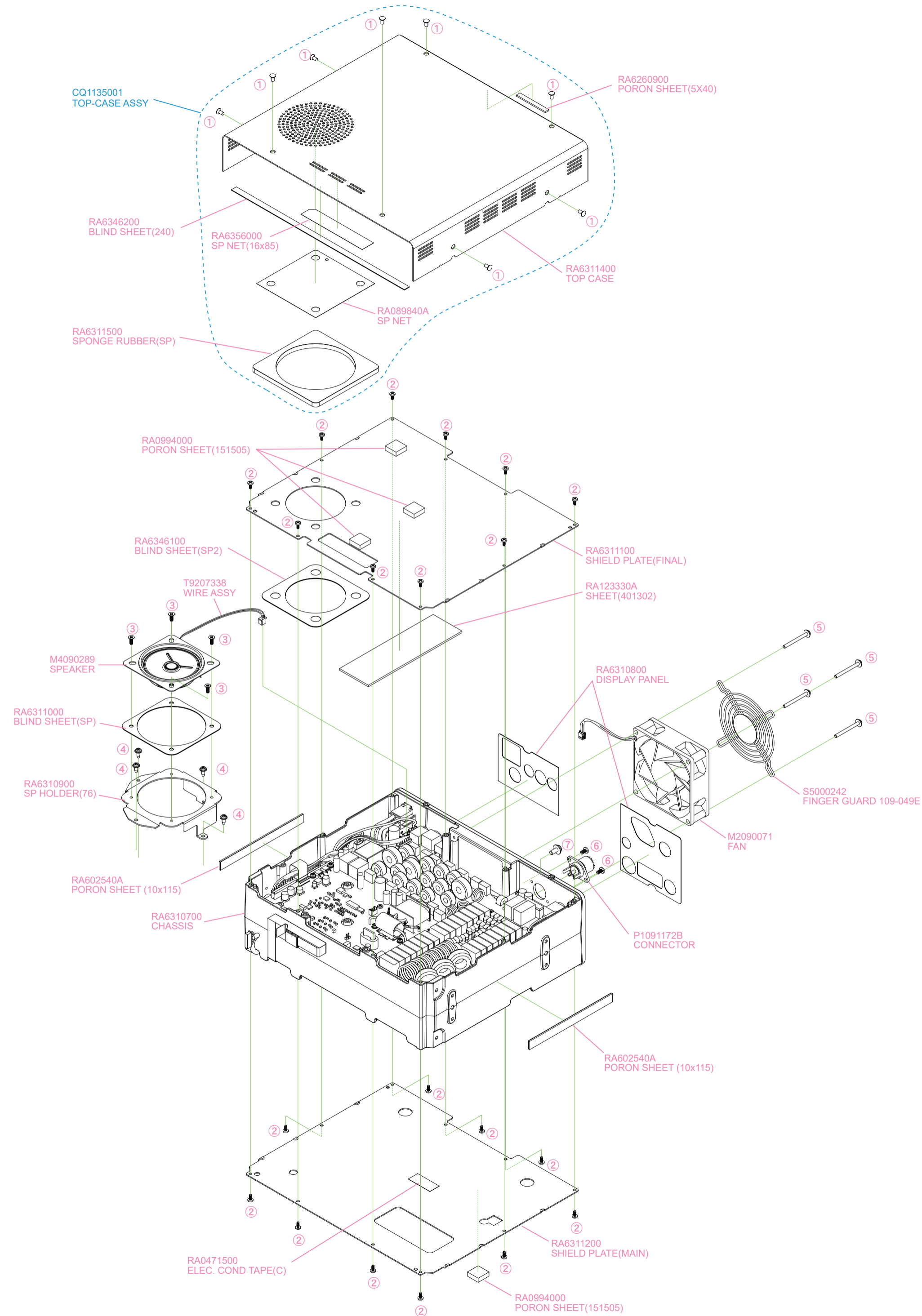
REF.	YAESU P/N	Description	Qty.
①	U24206001	BIND HEAD TAPTITE-B M2.6X6	3
②	U9900094	PAN TAPTITE-B M2X5N#2 GUIDE	6
③	U44206001	PAN HEAD TAPTITE-B M2.6X6	2
④	U9900117	PAN HEAD TAPTITE-B M2X4NI #2	2

Non-designated parts are available only as part of a designated assembly.



REF.	YAESU P/N	Description	Qty.
①	U24105001	BIND HEAD TAPTITE-B M2X5(3)	14
②	U24206001	BIND HEAD TAPTITE-B M2.6X6	15
③	U24205001	BIND HEAD TAPTITE-B M2.6X5	2
④	U34308001	FLAT HEAD TAPTITE-B M3X8	6

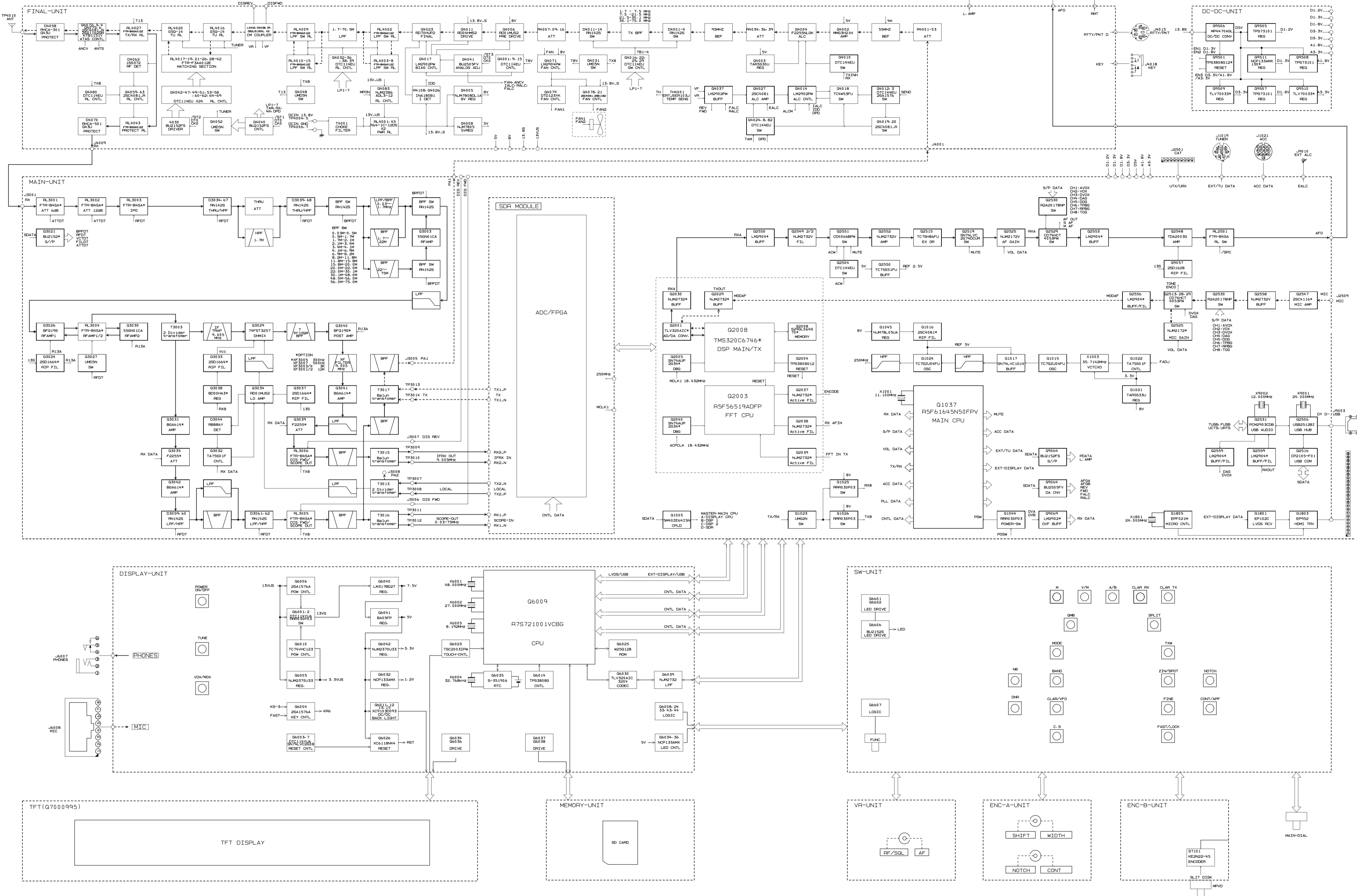
Non-designated parts are available only as part of a designated assembly.



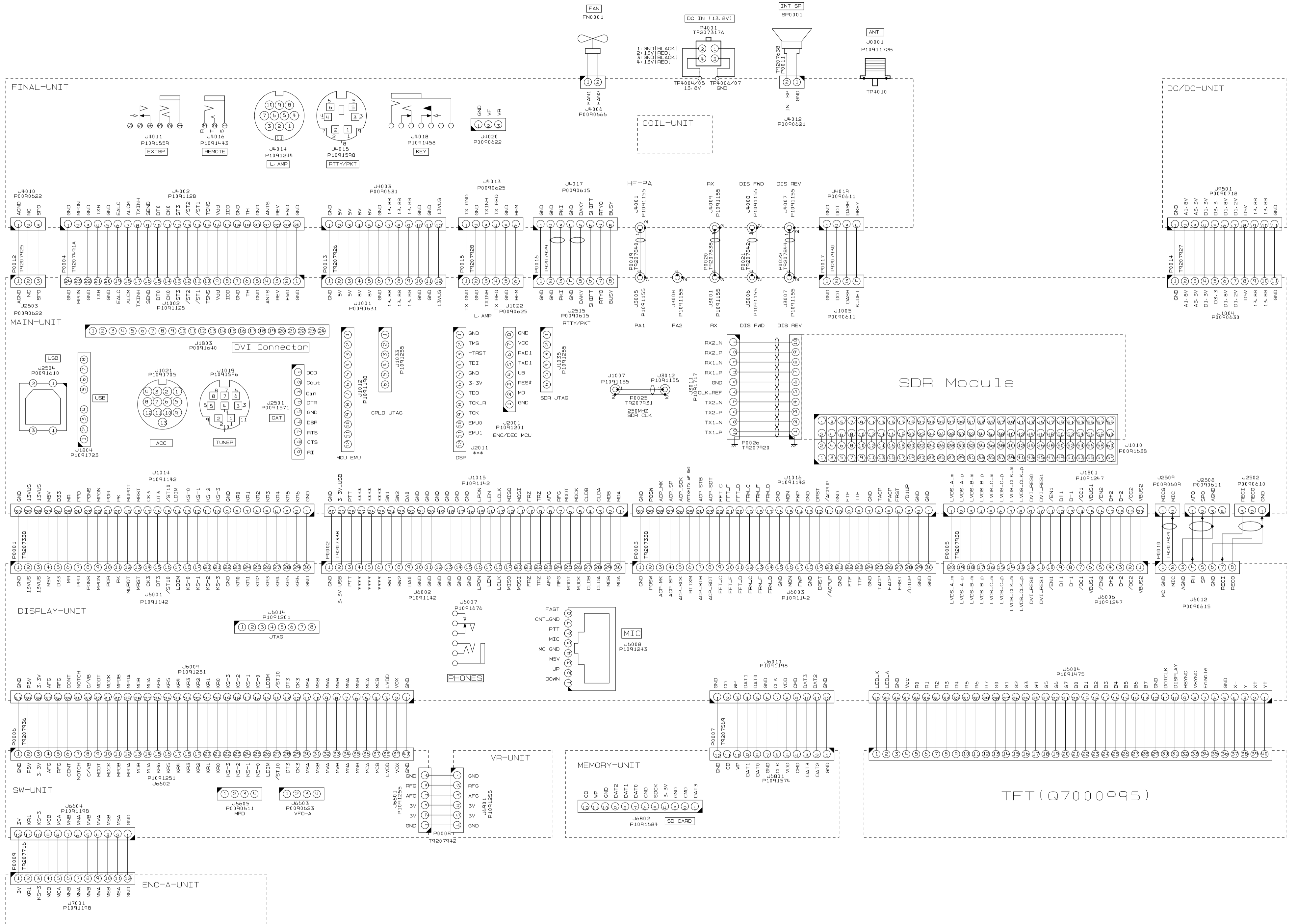
REF.	YAESU P/N	Description	Qty.
①	U31306007	OVAL HEAD SCREW M3X6B	8
②	U24206001	BIND HEAD TAPTITE-B M2.6X6	20
③	U34308001	FLAT HEAD TAPTITE-B M3X8	4
④	U9900272	PAN HEAD TAPTITE-B HM3X8(3)	4
⑤	U04333007	SEMS SCREW HSM3X33B	4
⑥	U24306001	BIND HEAD TAPTITE-B M3X6	2
⑦	U04410002	SEMS SCREW HSM4X10NI	1

Non-designated parts are available only as part of a designated assembly.

BLOCK-DIAGRAM



BLOCK DIAGRAM -1



CONNECTION DIAGRAM -1

Introduction and Precautions

Realignment may be required after the components have been replaced.

We recommend that authorized Yaesu Technicians, who are experienced with the circuitry and fully equipped to align our products, perform aligns.

Those who do undertake any of the following alignments are cautioned to proceed at their own risk. Problems caused by unauthorized attempts at realignment are not covered by the warranty policy.

The need for realignment should be determined to be absolutely necessary.

The following test equipment (and a thorough familiarity with its correct use) is necessary for correct realignment. Most steps do not require all of the equipment listed. The interactions of some adjustments may require that more complex adjustments be performed in a sequence. Do not attempt to perform only a single step unless it is clearly isolated electrically from all other steps. Have all test equipment ready before beginning, and follow all of the steps in a section in the order they are presented.

Required Test Equipment

- RF Signal Generator
- AF Signal Generator
- Spectrum Analyzer good to at least 1 GHz.
- Frequency Counter
- SINAD Meter
- RF Millivoltmeter
- Electronic Load
- Digital DC Voltmeter (high-Z, 1 M-Ohm/V)
- DC Voltmeter
- DC Ammeter (30 A)
- Ohmmeter
- 50-Ohm Dummy Load (100/200 watts)
- In-Line Wattmeter (150/300 watts, 50-Ohm)
- Linear Detector
- RF Coupler
- 4-Ohm AF Dummy Load (3 watts)
- 1/4-inch 3-contact Plug

Important Notice

Do not adjust the alignment menus that are not mentioned in this manual.

Alignment Preparation & Precautions

A 50-ohm RF Dummy load and in-line wattmeter must be connected to the "ANT" jack in all procedures that call for transmission, except where specified otherwise. Correct alignment is not possible with an antenna.

After completing one step, read the following step to determine whether the same test equipment will be required. If not, remove the unneeded test equipment before proceeding. (except the dummy load and wattmeter).

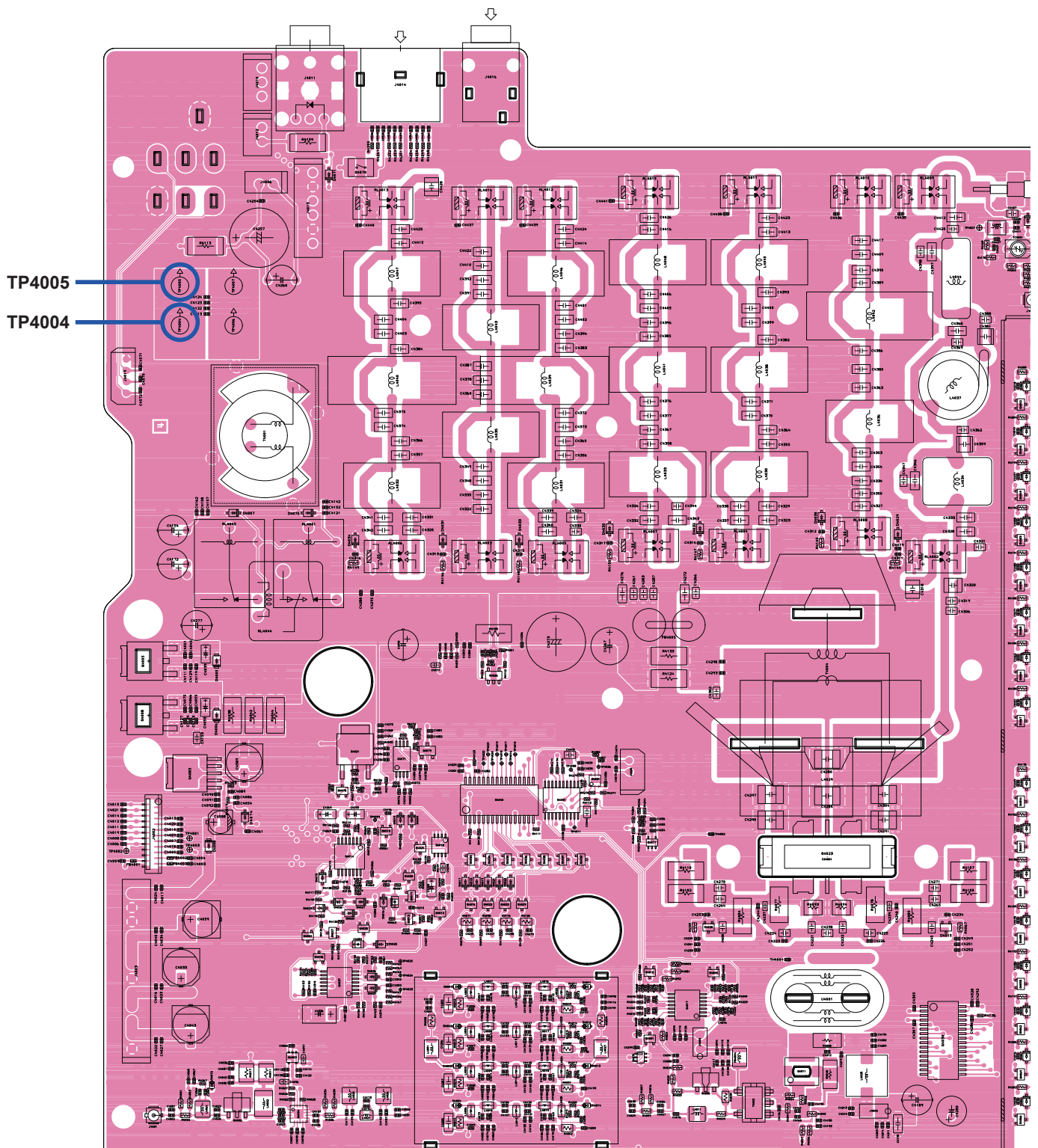
Correct alignment requires that the ambient temperature be maintained constant between 68 °F to 86 °F (20 °C to 30 °C). When the transceiver is brought into the shop from a hot or cold environment, it should be allowed time to come to room temperature before alignment. Also, the test equipment must be thoroughly warmed up before beginning.

Whenever possible, alignments should be made with oscillator shields and circuit boards firmly affixed in place.

Note: Signal levels in dB referred to in this procedure are based on 0 dB μ = 0.5 μ V (closed circuit).

VDD Meter Adjustment

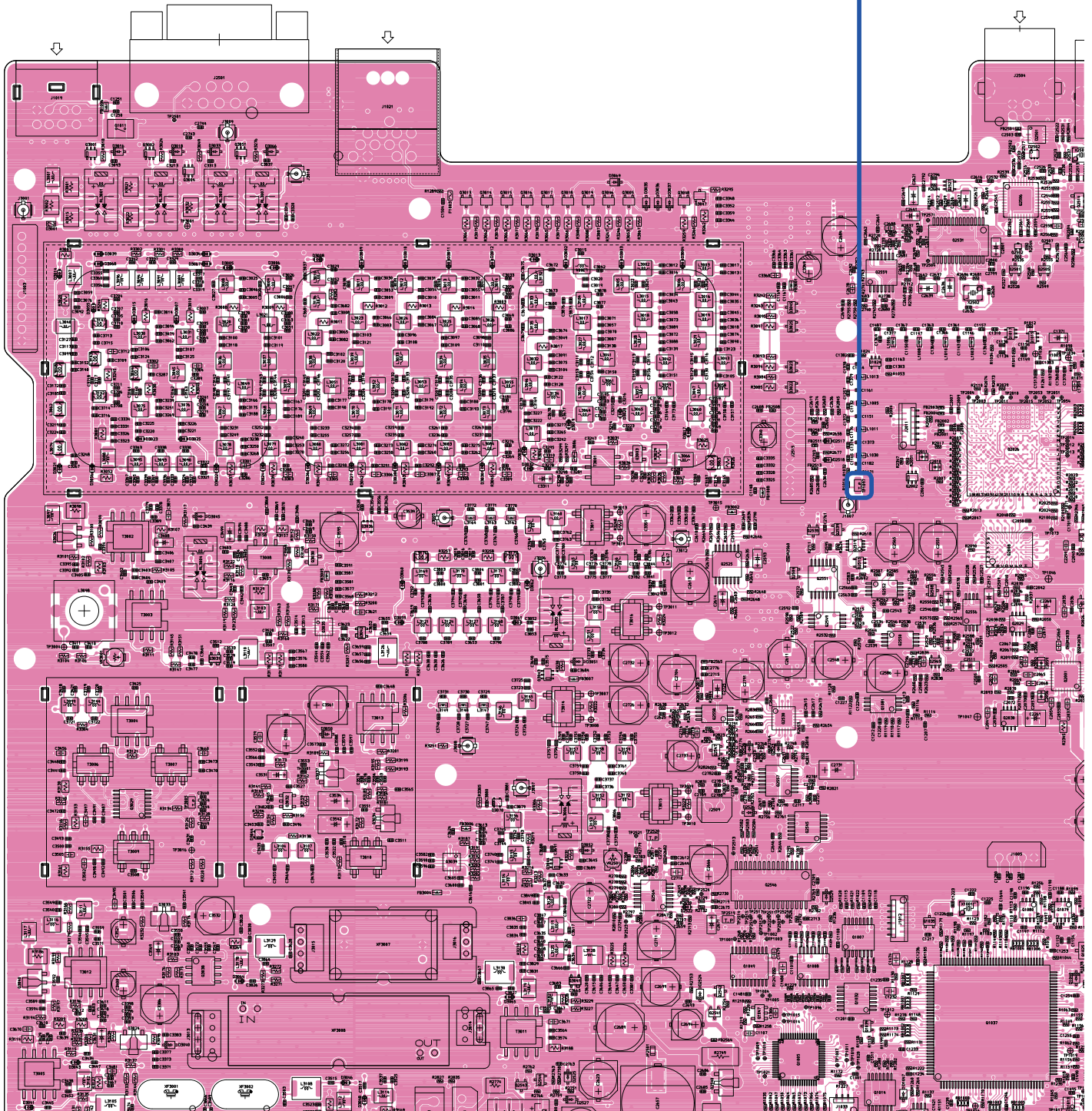
- ❑ Connect the DC voltmeter to TP4004 or TP4005 on the FINAL-Unit.
- ❑ Press and hold in the [STEP/MCH], [C.S] and [FINE] keys, while turning the radio ON, to enter the alignment mode.
- ❑ Rotate the [FUNC] knob to select the alignment parameter "1-001 VDD MTR".
- ❑ Press the PTT button, then press the [FUNC] knob.
- ❑ Rotate the [MPVD] ring so that the VDD meter reading is "13.8 V".
- ❑ Release the PTT button.
- ❑ Press and hold in the [FUNC] knob to save the new setting and exit the alignment mode.



REF OSC Adjustment

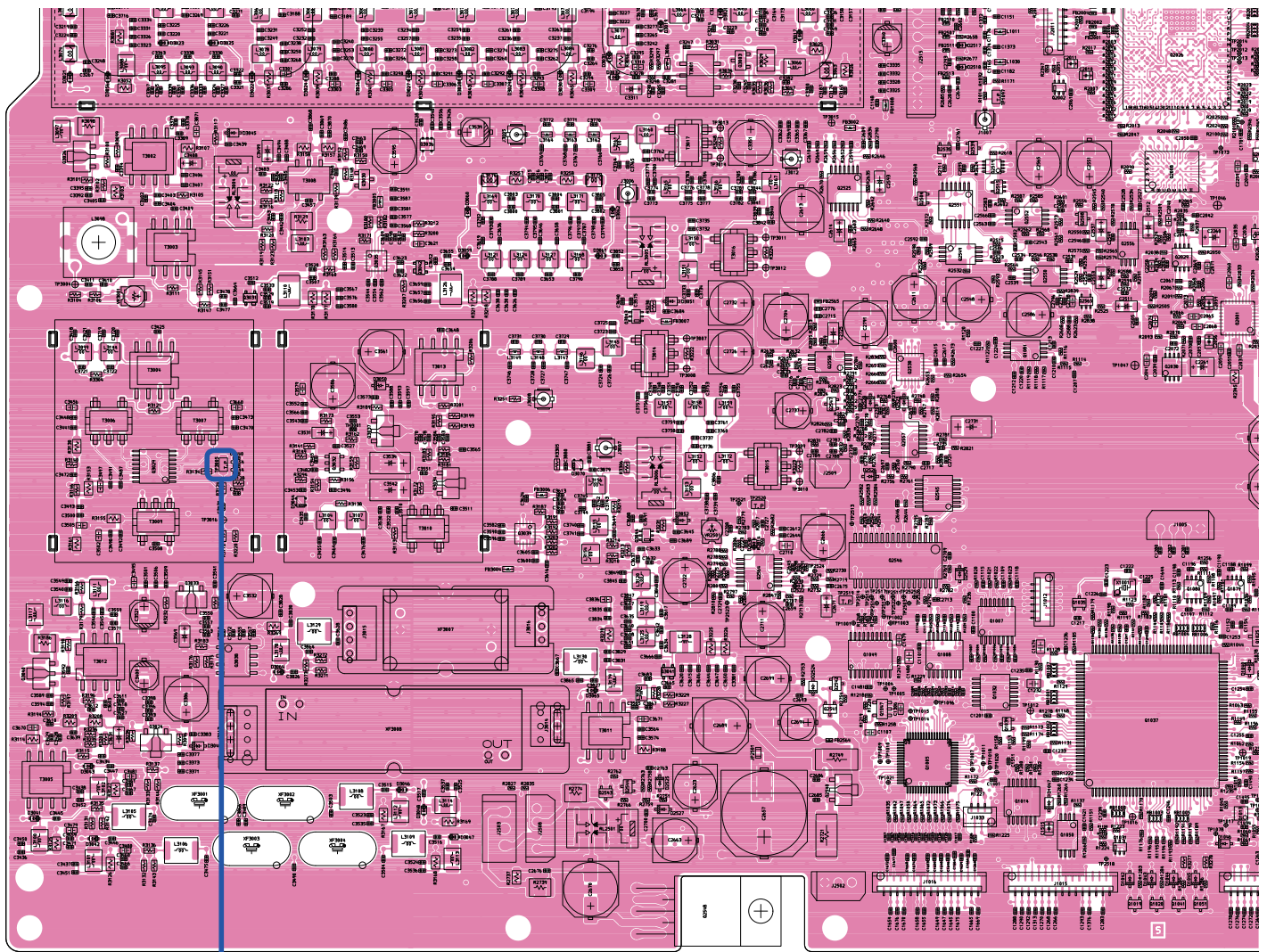
- ❑ Connect the frequency counter to TP1097 on the MAIN Unit.
- ❑ Press and hold in the [STEP/MCH], [C.S] and [FINE] keys, while turning the radio ON, to enter the alignment mode.
- ❑ Rotate the [FUNC] knob to select the alignment parameter "1-003 FREQ."
- ❑ Rotate the [MPVD] ring so that the frequency counter reading is "250.000000 ±20 Hz".
- ❑ Press and hold in the [FUNC] knob to save the new setting and exit the alignment mode.

TP1097



Main Receiver Adjustment

- ❑ Press and hold in the [STEP/MCH], [C.S] and [FINE] keys, while turning the radio ON, to enter the alignment mode.
- ❑ Connect the DC voltmeter to TP3005 on the MAIN Unit.
- ❑ Set the frequency to 7.15 MHz.
- ❑ Rotate the [FUNC] knob to select the alignment parameter "2-001 Local 7".
- ❑ Rotate the [MPVD] ring so that the DC voltmeter reading is "1.50 V (± 0.05 V)".
- ❑ Set the frequency to 14.20 MHz.
- ❑ Rotate the [FUNC] knob to select the alignment parameter "2-002 Local 14".
- ❑ Rotate the [MPVD] ring so that the DC voltmeter reading is "1.50 V (± 0.05 V)".
- ❑ Set the frequency to 21.20 MHz.
- ❑ Rotate the [FUNC] knob to select the alignment parameter "2-003 Local 21".
- ❑ Rotate the [MPVD] ring so that the DC voltmeter reading is "1.40 V (± 0.05 V)".
- ❑ Set the frequency to 28.10 MHz.
- ❑ Rotate the [FUNC] knob to select the alignment parameter "2-004 Local 28".
- ❑ Rotate the [MPVD] ring so that the DC voltmeter reading is "1.40 V (± 0.05 V)".
- ❑ Set the frequency to 50.50 MHz.
- ❑ Rotate the [FUNC] knob to select the alignment parameter "2-005 Local 50".
- ❑ Rotate the [MPVD] ring so that the DC voltmeter reading is "1.40 V (± 0.05 V)".
- ❑ Press and hold in the [FUNC] knob to save the new setting and exit the alignment mode.



TP3005

RF AGC Adjustment

- ❑ Set the following controls as indicated:

[IPO] : AMP1

[ATT] : OFF

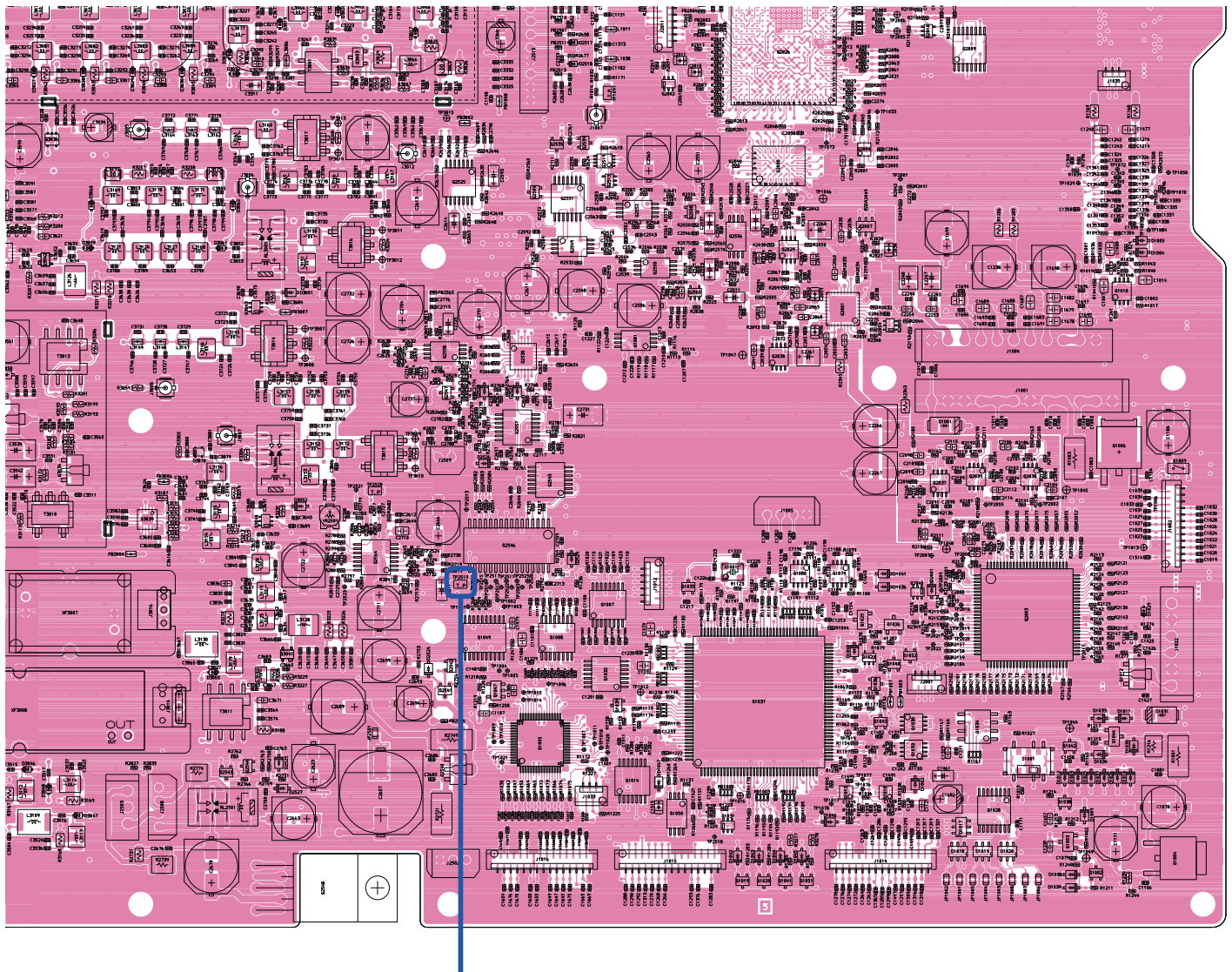
[DNF] : OFF

[R.FLT] : 3 kHz

[WIDTH] : 2.4 kHz

- ❑ Connect the RF Signal Generator to the ANT jack, then set the output level to 96 dB μ .
- ❑ Press and hold in the [STEP/MCH], [C.S] and [FINE] keys, while turning the radio ON, to enter the alignment mode.
- ❑ Connect the DC voltmeter to TP2519 on the MAIN Unit.
- ❑ Set the frequency to 7.050 MHz in the CW-U mode.
- ❑ Rotate the [FUNC] knob to select the alignment parameter "2-006 RF-AGC 7".

- ❑ Rotate the [MPVD] ring so that the DC voltmeter reading is "1.90 V (± 0.1 V)".
- ❑ Set the frequency to 14.200 MHz in the CW-U mode.
- ❑ Rotate the [FUNC] knob to select the alignment parameter "2-007 RF-AGC 14".
- ❑ Rotate the [MPVD] ring so that the DC voltmeter reading is "1.90 V (± 0.1 V)".
- ❑ Set the frequency to 21.200 MHz in the CW-U mode.
- ❑ Rotate the [FUNC] knob to select the alignment parameter "2-008 RF-AGC 21".
- ❑ Rotate the [MPVD] ring so that the DC voltmeter reading is "1.90 V (± 0.1 V)".
- ❑ Set the frequency to 28.700 MHz in the CW-U mode.
- ❑ Rotate the [FUNC] knob to select the alignment parameter "2-009 RF-AGC 28".

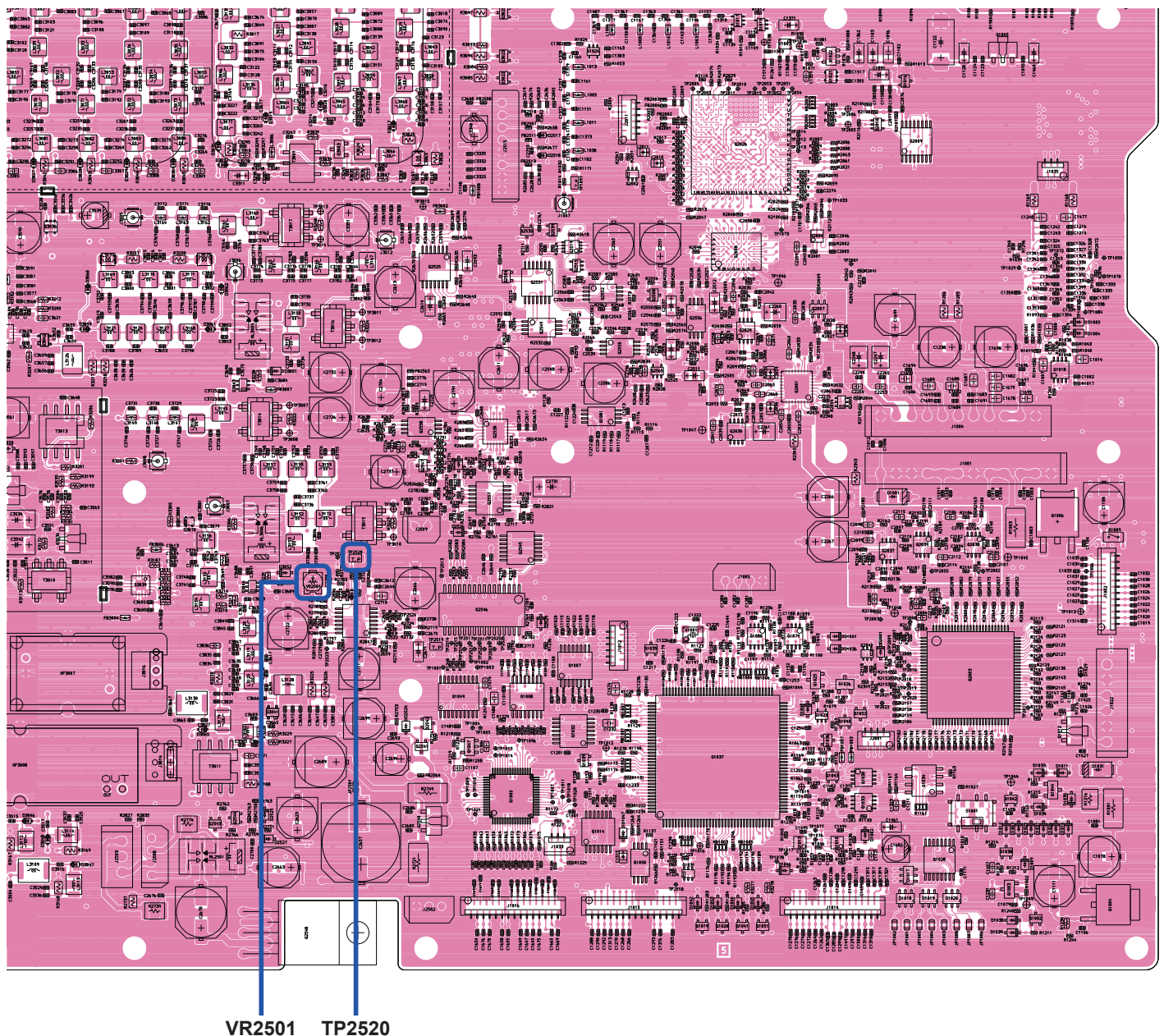


TP2519

- ❑ Rotate the [MPVD] ring so that the DC voltmeter reading is “1.90 V (± 0.1 V)”.
- ❑ Set the frequency to 51.900 MHz in the CW-U mode.
- ❑ Rotate the [FUNC] knob to select the alignment parameter “2-010 RF-AGC 50”.
- ❑ Rotate the [MPVD] ring so that the DC voltmeter reading is “1.90 V (± 0.1 V)”.
- ❑ Press and hold in the [FUNC] knob to save the new setting and exit the alignment mode.

MAIN RF-AGC SCOPE Adjustment

- ❑ Connect the RF Signal Generator to the ANT jack, then set the output level to 0 dBm.
- ❑ Press and hold in the [STEP/MCH], [C.S] and [FINE] keys, while turning the radio ON, to enter the alignment mode.
- ❑ Connect the DC voltmeter to TP2520 on the MAIN Unit.
- ❑ Set the frequency to 14.200 MHz.
- ❑ Adjust VR2501 on the MAIN Unit so that the DC voltmeter reading is “1.50 V (± 0.03 V)”.
- ❑ Press and hold in the [FUNC] knob to save the new setting and exit the alignment mode.



IF Gain Adjustment

- ❑ Set the following controls as indicated:
 [R.FLT]: 3 kHz
 [WIDTH] : 2.4 kHz
 [MODE] : CW-U
- ❑ Connect the AF millivoltmeter and 4 Ohm dummy load to the EXT SP jack.
- ❑ Connect the RF Signal Generator to the ANT jack, then set the output level to 10 dB μ .
- ❑ Adjust the [AF] knob so that the AF millivoltmeter reading is "0 dB".
- ❑ Press and hold in the [STEP/MCH], [C.S] and [FINE] keys, while turning the radio ON, to enter the alignment mode.
- ❑ Select the appropriate "Alignment Parameter" using the [FUNC] knob per the chart below, then set the RF Signal Generator output to each frequency & level, and adjust the [MPVD] ring for the corresponding AF millivoltmeter reading at each frequency. Press the [FUNC] knob to save the new setting at each level.
- ❑ Press and hold in the [FUNC] knob to save the new setting and exit the alignment mode.

Alignment Parameter	RF Signal Generator	Frequency	AF Millivoltmeter
2-011 IF-AGC 7	7.050 MHz, 10 dB μ	7.050 MHz	-2.0 dB \pm 0.5 dB
2-012 IF-AGC 14	14.200 MHz, 10 dB μ	14.200 MHz	-2.0 dB \pm 0.5 dB
2-013 IF-AGC 21	21.200 MHz, 10 dB μ	21.200 MHz	-2.0 dB \pm 0.5 dB
2-014 IF-AGC 28	28.700 MHz, 3 dB μ	28.700 MHz	-2.0 dB \pm 0.5 dB
2-015 IF-AGC 50	51.900 MHz, 3 dB μ	51.900 MHz	-2.0 dB \pm 0.5 dB

S-meter Adjustment

- ❑ Set the frequency to 14.200 MHz in the CW-U mode.
- ❑ Set the following controls as indicated:
 [IPO] : AMP1
 [ATT] : OFF
 [R.FLT] : 3 kHz
 [WIDTH] : 2.4 kHz
- ❑ Connect the RF Signal Generator to the ANT jack, then set the frequency to 14.200 MHz.
- ❑ Press and hold in the [STEP/MCH], [C.S] and [FINE] keys, while turning the radio ON, to enter the alignment mode.
- ❑ Select the appropriate "Alignment Parameter" using the [FUNC] knob per the chart below, then set the RF Signal Generator output to each frequency & level, and adjust the [MPVD] ring for the corresponding S-meter reading at each frequency. Press the [FUNC] knob to save the new setting at each level.

Alignment Parameter	RF Signal Generator	S-meter
2-016 S-MTR 0	OFF	Parameter "0"
2-017 S-MTR 2	+16 dB μ	S2
2-018 S-MTR 5	+24 dB μ	S5
2-019 S-MTR 7	+30 dB μ	S7
2-020 S-MTR 9	+36 dB μ	S9
2-021 S-MTR +10	+46 dB μ	S9+10
2-022 S-MTR +20	+56 dB μ	S9+20
2-023 S-MTR +30	+66 dB μ	S9+30
2-024 S-MTR +40	+76 dB μ	S9+40
2-025 S-MTR +50	+86 dB μ	S9+50
2-026 S-MTR +60	+96 dB μ	S9+60

- ❑ Press and hold in the [FUNC] knob to save the new setting and exit the alignment mode.

FILTER Gain Adjustment

- ❑ Connect the RF Signal Generator to the ANT jack.
- ❑ Set the following controls as indicated:
 - [R.FLT] : 300 Hz
 - [WIDTH] : 300 Hz
- ❑ Set the RF Signal Generator to to 36 dB μ at 14.200 MHz.
- ❑ Press and hold in the [STEP/MCH], [C.S] and [FINE] keys, while turning the radio ON, to enter the alignment mode.
- ❑ Set the 14.200 MHz in the CW-U mode.
- ❑ Rotate the [FUNC] knob to select the alignment parameter "2-031 SDR GAIN 0.3k".
- ❑ Rotate the [MPVD] ring to set the "0".
- ❑ Set the following controls as indicated:
 - [R.FLT] : 500 Hz
 - [WIDTH] : 500 Hz
- ❑ Rotate the [FUNC] knob to select the alignment parameter "2-032 SDR GAIN 0.5k".
- ❑ Rotate the [MPVD] ring to set the "0".
- ❑ Set the following controls as indicated:
 - [R.FLT] : 3 kHz
 - [WIDTH] : 2.4 kHz
- ❑ Rotate the [FUNC] knob to select the alignment parameter "2-033 SDR GAIN 3k".
- ❑ Rotate the [MPVD] ring to set the "0".
- ❑ Set the following controls as indicated:
 - [R.FLT] : 12 kHz
 - [WIDTH] : 2.4 kHz
- ❑ Rotate the [FUNC] knob to select the alignment parameter "2-034 SDR GAIN 12k".
- ❑ Rotate the [MPVD] ring to set the "0".

FM Gain Adjustment

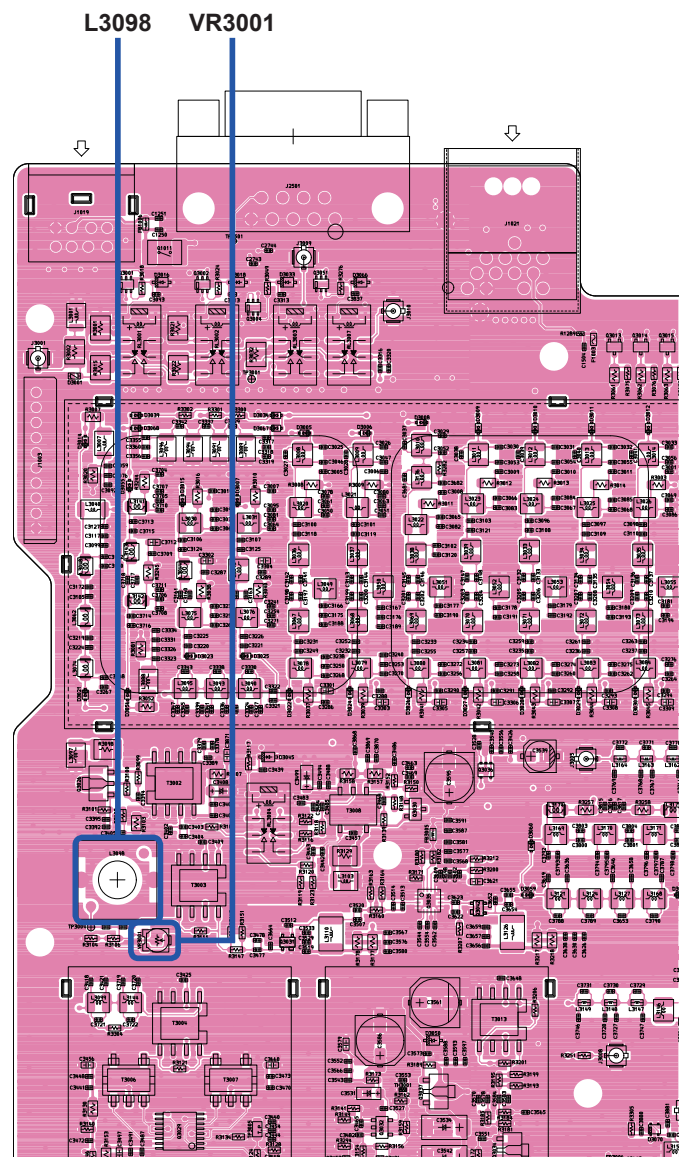
- ❑ Connect the RF Signal Generator to the ANT jack.
- ❑ Set the following controls as indicated:
 - [IPO] : AMP1
 - [ATT] : OFF
 - [R.FLT] : 12 kHz
 - [MODE] : FM (FM-Wide)
- ❑ Set the RF Signal Generator to 0 dB μ at the 28.7000 MHz of a 1 kHz \pm 3.5 kHz deviation FM modulation audio signal.
- ❑ Press and hold in the [STEP/MCH], [C.S] and [FINE] keys, while turning the radio ON, to enter the alignment mode.
- ❑ Rotate the [FUNC] knob to select the alignment parameter "2-035 FM GAIN S1 28".
- ❑ Set the Main Band frequency to 28.700 MHz.
- ❑ Rotate the [MPVD] ring so the S-meter reading is "S1".
- ❑ Set the RF Signal Generator to 0 dB μ at the 51.5000 MHz of a 1 kHz \pm 3.5 kHz deviation FM modulation audio signal.
- ❑ Rotate the [FUNC] knob to select the alignment parameter "2-036 FM GAIN S1 50".
- ❑ Set the frequency to 51.500 MHz.
- ❑ Rotate the [MPVD] ring so that the S-meter reading is "S1".
- ❑ Press and hold in the [FUNC] knob to save the new setting and exit the alignment mode.

FM Squelch Adjustment

- ❑ Set the frequency to 51.500 MHz in the FM-Wide mode.
[IPO] : AMP1
[ATT] : OFF
[R.FLT] : 12 kHz
- ❑ Set the RF Signal Generator to $-8 \text{ dB}\mu$ at the 51.500 MHz of a 1 kHz ± 3.5 kHz deviation FM modulation audio signal.
- ❑ Rotate the [FUNC] knob to select the alignment parameter "2-037 FM SQL THW".
- ❑ Press the [FUNC] knob.
- ❑ Set the RF Signal Generator to $-8 \text{ dB}\mu$ at the 51.500 MHz of a 1 kHz ± 1.75 kHz deviation FM modulation audio signal.
- ❑ Set the frequency to 51.500 MHz in the FM-N mode.
- ❑ Rotate the [FUNC] knob to select the alignment parameter "2-038 FM SQL THN".
- ❑ Press the [FUNC] knob.
- ❑ Set the RF Signal Generator to $0 \text{ dB}\mu$ at the 51.500 MHz of a 1 kHz ± 3.5 kHz deviation FM modulation audio signal.
- ❑ Set the Main Band frequency to 51.500 MHz in the FM-Wide mode.
- ❑ Rotate the [FUNC] knob to select the alignment parameter "2-039 FM SQL TI".
- ❑ Press the [FUNC] knob.
- ❑ Press and hold in the [FUNC] knob to save the new setting and exit the alignment mode.

IF Trap Adjustment

- ❑ Set the frequency to 10.100 MHz in the CW-U mode.
- ❑ Set the following controls as indicated:
[IPO] : AMP1
[ATT] : OFF
[R.FLT] : 500 Hz
[WIDTH] : 500 Hz
- ❑ Connect the AF millivoltmeter and 4 Ohm dummy load to the EXT SP jack.
- ❑ Connect the RF Signal Generator to the ANT jack, then set the output level to $+40$ to $+80 \text{ dB}\mu$ at the 9.005 MHz.
- ❑ Adjust L3098 and VR3001 on the MAIN Unit for minimum deflection on the AF millivoltmeter.
- ❑ Press and hold in the [FUNC] knob to save the new setting and exit the alignment mode.



PA Unit Adjustment

Preparation

- ❑ Connect the 50-Ohm Dummy Load and Wattmeter to the ANT jack.
- ❑ Disconnect the coaxial cables from J4001 on the FINAL Unit, then terminate J4001 with a 50-Ohm resistor.
- ❑ Disconnect the jumper plugs from J4004 and J4005 on the FINAL Unit.

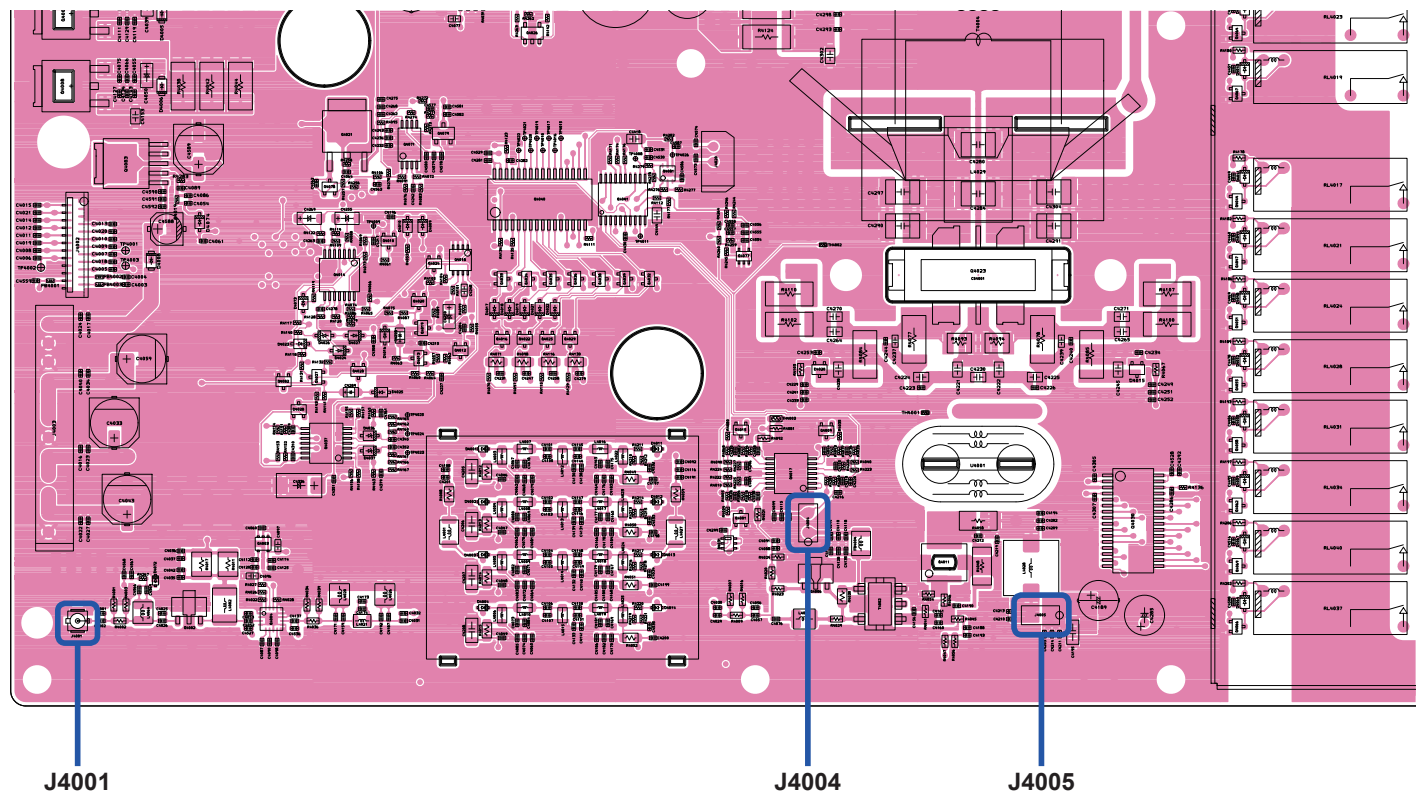
Pre-Drive Stage Idling Current Adjustment

- ❑ Connect the DC ammeter to J4004 on the FINAL Unit.
- ❑ Rotate the [FUNC] knob to select the alignment parameter "3-001 MF PREDR BIAS".
- ❑ Press and hold the PTT button then adjust the [MPVD] ring so that the DC ammeter reading is "100 mA (± 10 mA)".
- ❑ Release the PTT button.
- ❑ Rotate the [FUNC] knob to select the alignment parameter "3-004 HF PREDR BIAS".
- ❑ Press and hold the PTT button then adjust the [MPVD] ring so that the DC ammeter reading is "100 mA (± 10 mA)".
- ❑ Release the PTT button.
- ❑ Rotate the [FUNC] knob to select the alignment parameter "3-007 VHF PREDR BIAS".

- ❑ Press and hold the PTT button then adjust the [MPVD] ring so that the DC ammeter reading is "100 mA (± 10 mA)".
- ❑ Release the PTT button.

Drive Stage Idling Current Adjustment

- ❑ Connect the DC ammeter to J4005 on the FINAL Unit.
- ❑ Rotate the [FUNC] knob to select the alignment parameter "3-002 MF DRIVE BIAS".
- ❑ Press and hold the PTT button then adjust the [MPVD] ring so that the DC ammeter reading is "500 mA (± 50 mA)".
- ❑ Release the PTT button.
- ❑ Rotate the [FUNC] knob to select the alignment parameter "3-005 HF DRIVE BIAS".
- ❑ Press and hold the PTT button then adjust the [MPVD] ring so that the DC ammeter reading is "500 mA (± 50 mA)".
- ❑ Release the PTT button.
- ❑ Rotate the [FUNC] knob to select the alignment parameter "3-008 VHF DRIVE BIAS".
- ❑ Press and hold the PTT button then adjust the [MPVD] ring so that the DC ammeter reading is "500 mA (± 50 mA)".
- ❑ Release the PTT button.



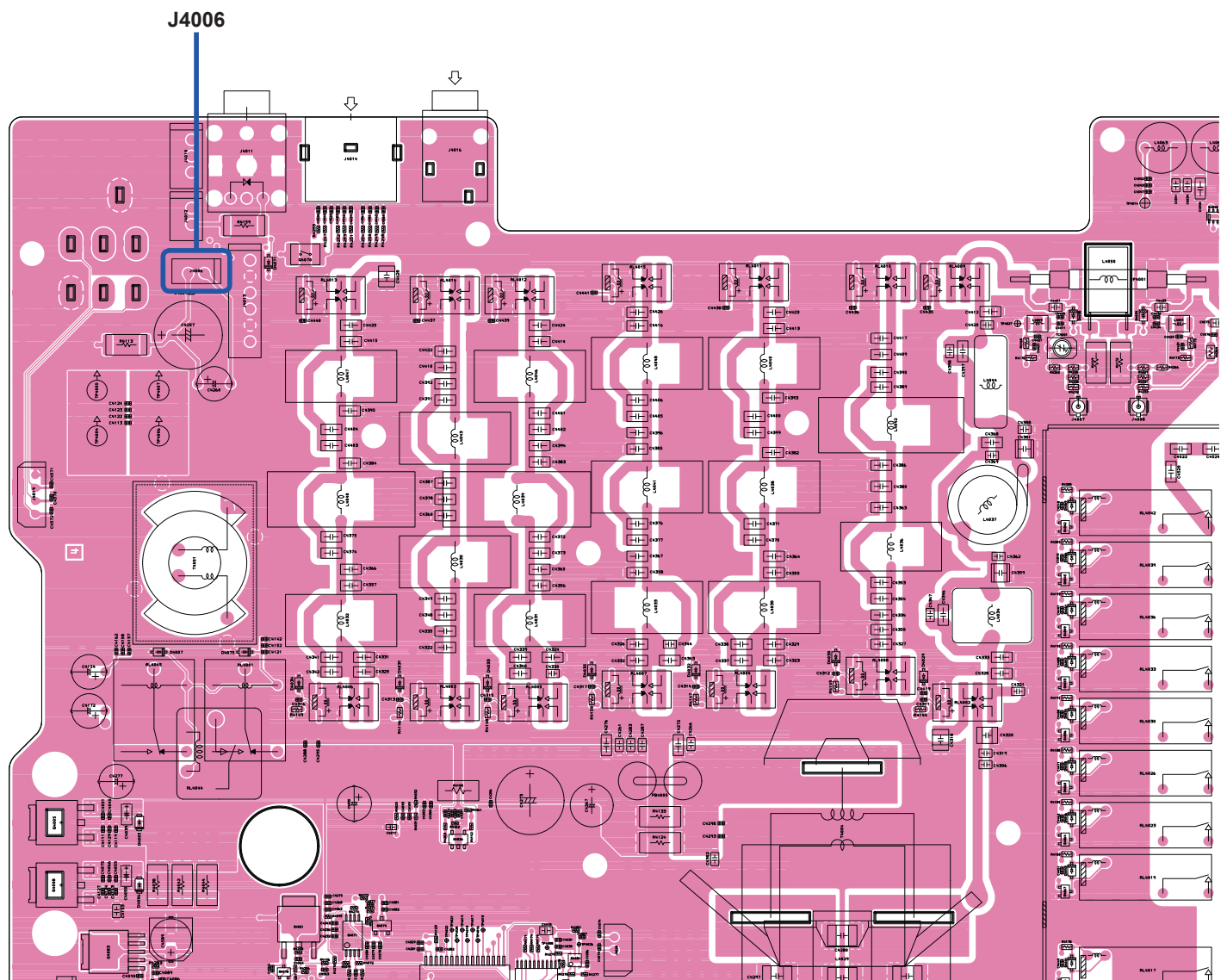
Final Stage Idling Current Adjustment

- ❑ Connect the DC ammeter between External Power supply and FTDX10.
- ❑ Disconnect the plug from J4006 on the FINAL Unit.
- ❑ Rotate the [FUNC] knob to select the alignment parameter "3-003 MF FINAL BIAS".
- ❑ Press and hold the PTT button then adjust the [MPVD] ring so that the DC ammeter reading is "1.0 A (± 100 mA)".
- ❑ Release the PTT button.
- ❑ Rotate the [FUNC] knob to select the alignment parameter "3-006 HF FINAL BIAS".
- ❑ Press and hold the PTT button then adjust the [MPVD] ring so that the DC ammeter reading is "1.5 A (± 150 mA)".
- ❑ Release the PTT button.

- ❑ Rotate the [FUNC] knob to select the alignment parameter "3-009 VHF FINAL BIAS".
- ❑ Press and hold the PTT button then adjust the [MPVD] ring so that the DC ammeter reading is "1.5 A (± 150 mA)".
- ❑ Release the PTT button.
- ❑ Press and hold in the [FUNC] knob to save the new setting and exit the alignment mode.

Termination

- ❑ Turn OFF the FTDX10.
- ❑ Disconnect the 50-Ohm resistors from J4001, then connect the coaxial cables to J4001.
- ❑ Re-connect the jumper plugs to J4004 and J4005.
- ❑ Re-connect the plug to J4006.

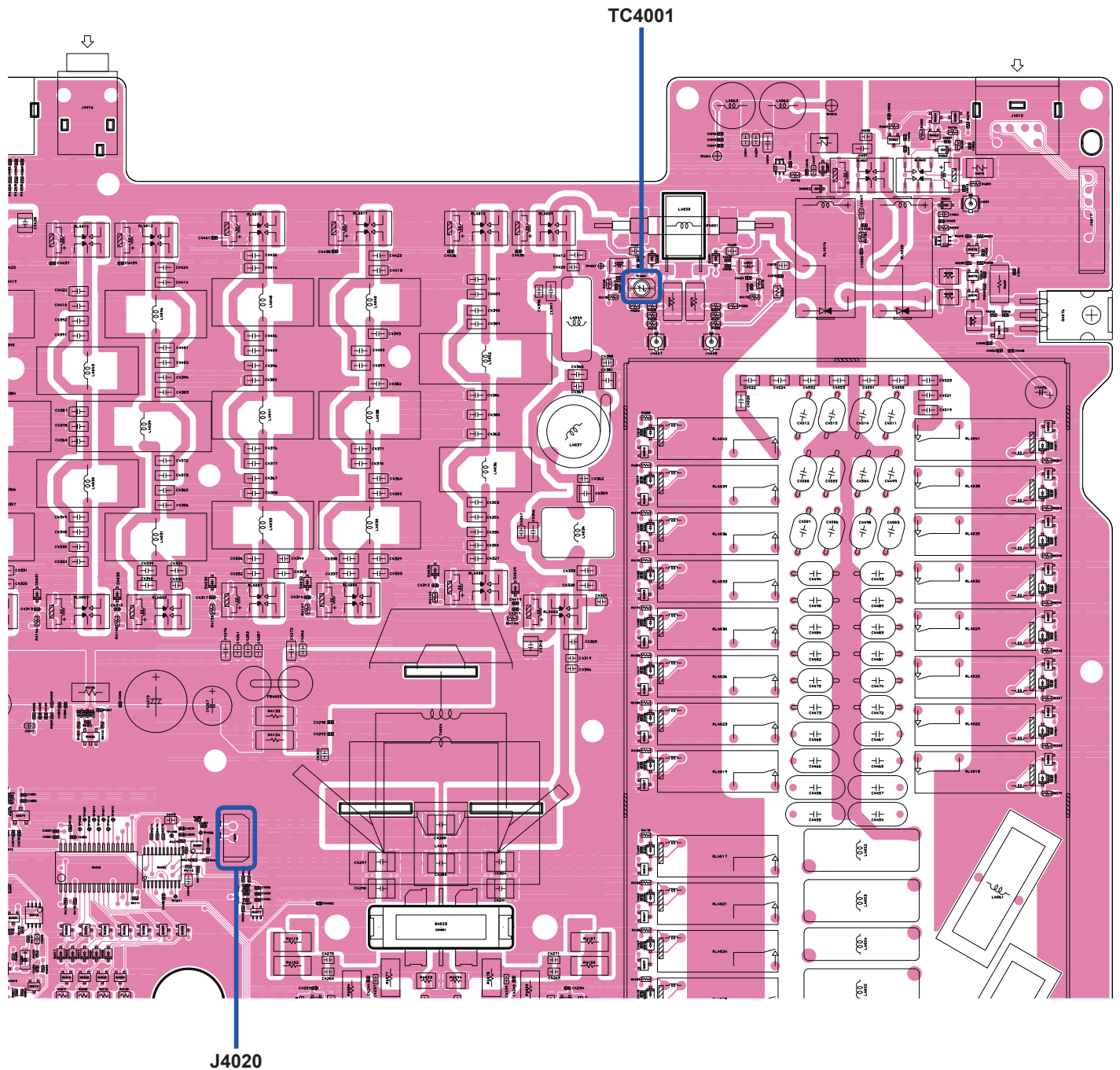


Antenna Tuner Adjustment

CM Coupler Balance Adjustment

- ❑ Connect the 50-Ohm Dummy Load and Wattmeter to the ANT jack.
- ❑ Connect the Digital DC voltmeter (high-Z) to pin 2 of J4020 on the FINAL Unit.
- ❑ Turn off the [TUNE] switch, then set the frequency to 24.900 MHz in the CW-U mode.
- ❑ Press and hold in the [STEP/MCH], [C.S] and [FINE] keys, while turning the radio ON, to enter the alignment mode.

- ❑ Rotate the [FUNC] knob to select the alignment parameter "3-017 I-ALC 24".
- ❑ Press and hold the PTT button, while adjusting the [MPVD] ring for 45 - 55 Watts on the Wattmeter.
- ❑ Adjust TC4001 on the FINAL Unit for minimum deflection on the DC voltmeter (less than 0.1 V).
- ❑ Release the PTT button.
- ❑ Press and hold in the [FUNC] knob to save the new setting and exit the alignment mode.



Current ALC Adjustment

- Connect the 50-Ohm Dummy Load and Wattmeter to the ANT jack.
- Set the operating mode to “CW-U”.
- Press and hold in the [STEP/MCH], [C.S] and [FINE] keys, while turning the radio ON, to enter the alignment mode.
- Rotate the [FUNC] knob to select the alignment parameter “3-010 I-ALC 1.8” for the 1.8 MHz amateur band's ALC Adjustment.
- Set the frequency to 2.000 MHz.
- Key the transmitter, then adjusting the [MPVD] ring for 110 W on the Wattmeter.
- Unkey the transmitter.
- Rotate the [FUNC] knob to select the alignment parameter “3-011 I-ALC 3.5” for the 3.5 MHz amateur band's ALC Adjustment.
- Set the frequency to 3.500 MHz.
- Key the transmitter, then adjusting the [MPVD] ring for 110 W on the Wattmeter.
- Unkey the transmitter.
- Rotate the [FUNC] knob to select the alignment parameter “3-012 I-ALC 7” for the 7 MHz amateur band's ALC Adjustment.
- Set the frequency to 7.000 MHz.
- Key the transmitter, then adjusting the [MPVD] ring for 110 W on the Wattmeter.
- Unkey the transmitter.
- Rotate the [FUNC] knob to select the alignment parameter “3-013 I-ALC 10” for the 10 MHz amateur band's ALC Adjustment.
- Set the frequency to 10.125 MHz.
- Key the transmitter, then adjusting the [MPVD] ring for 110 W on the Wattmeter.
- Unkey the transmitter.
- Rotate the [FUNC] knob to select the alignment parameter “3-014 I-ALC 14” for the 14 MHz amateur band's ALC Adjustment.
- Set the frequency to 14.000 MHz.
- Key the transmitter, then adjusting the [MPVD] ring for 110 W on the Wattmeter.
- Unkey the transmitter.
- Rotate the [FUNC] knob to select the alignment parameter “3-015 I-ALC 18” for the 18 MHz amateur band's ALC Adjustment.
- Set the frequency to 18.118 MHz.
- Key the transmitter, then adjusting the [MPVD] ring for 110 W on the Wattmeter.
- Unkey the transmitter.

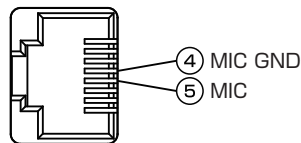
- Rotate the [FUNC] knob to select the alignment parameter “3-016 I-ALC 21” for the 21 MHz amateur band's ALC Adjustment.
- Set the frequency to 21.225 MHz.
- Key the transmitter, then adjusting the [MPVD] ring for 110 W on the Wattmeter.
- Unkey the transmitter.
- Rotate the [FUNC] knob to select the alignment parameter “3-017 I-ALC 24” for the 24 MHz amateur band's ALC Adjustment.
- Set the frequency to 24.940 MHz.
- Key the transmitter, then adjusting the [MPVD] ring for 110 W on the Wattmeter.
- Unkey the transmitter.
- Rotate the [FUNC] knob to select the alignment parameter “3-018 I-ALC 28” for the 28 MHz amateur band's ALC Adjustment.
- Set the frequency to 28.850 MHz.
- Key the transmitter, then adjusting the [MPVD] ring for 110 W on the Wattmeter.
- Unkey the transmitter.
- Rotate the [FUNC] knob to select the alignment parameter “3-019 I-ALC 50” for the 50 MHz amateur band's ALC Adjustment.
- Set the frequency to 54.000 MHz.
- Key the transmitter, then adjusting the [MPVD] ring for 110 W on the Wattmeter.
- Unkey the transmitter.

UK version only

- Rotate the [FUNC] knob to select the alignment parameter “3-020 I-ALC 70” for the 70 MHz amateur band's ALC Adjustment.
 - Set the frequency to 70.250 MHz.
 - Key the transmitter, then adjusting the [MPVD] ring for 60 W on the Wattmeter.
 - Unkey the transmitter.
- Press and hold in the [FUNC] knob to save the new setting and exit the alignment mode.

ALC Meter Adjustment

- ❑ Connect the 50-Ohm Dummy Load and Wattmeter to the ANT jack.
- ❑ Press and hold in the [STEP/MCH], [C.S] and [FINE] keys, while turning the radio ON, to enter the alignment mode.
- ❑ Set the frequency to 14.200 MHz in the CW-U mode.
- ❑ Rotate the [FUNC] knob to select the alignment parameter "3-083 100W TXG 14".
- ❑ Rotate the [MPVD] ring so that the parameter indication "255".
- ❑ Rotate the [FUNC] knob to select the alignment parameter "3-081 100W FALC 14".
- ❑ Rotate the [MPVD] ring so that the parameter indication "0".
- ❑ Key the transmitter, then rotate the [MPVD] ring for 100 W (+5W/-0W) on the Wattmeter.
- ❑ Unkey the transmitter.
- ❑ Set the USB mode.
- ❑ Rotate the [FUNC] knob to select the alignment parameter "3-194 ALC MTR".
- ❑ Set the MIC GAIN to "50".
- ❑ Connect the Audio Generator to pin 5 of the MIC jack (pin 4: GND) @1 kHz.
- ❑ Press and hold the PTT button, then adjust the Audio Generator output level for 90W - 95W on the Wattmeter.
- ❑ Release the PTT button.
- ❑ Increase the Audio Generator output level by "9 dB".
- ❑ Press the PTT button, then press the [FUNC] knob *while pressing and holding in the PTT button*.
- ❑ *While pressing and holding in the PTT button*, then rotate the [MPVD] ring for maximum deflection on the ALC meter zone.
- ❑ Release the PTT button, then Press and hold in the [FUNC] knob to save the new setting and exit the alignment mode.



TX Output Power/PO Meter/TXG

Adjustment

- ❑ Referring to table below, tune the transceiver to each frequency listed.

Band	Frequency	Mode
1.8 MHz Band	2.000 MHz	CW-U
3.5 MHz Band	3.500 MHz	CW-U
7 MHz Band	7.000 MHz	CW-U
10 MHz Band	10.125 MHz	CW-U
14 MHz Band	14.000 MHz	CW-U
18 MHz Band	18.118 MHz	CW-U
21 MHz Band	21.225 MHz	CW-U
24.5 MHz Band	24.940 MHz	CW-U
28 MHz Band	28.850 MHz	CW-U
50 MHz Band	54.000 MHz	CW-U
70 MHz Band (UK Version only)	70.250 MHz	CW-U

- ❑ Connect the 50-Ohm Dummy Load and Wattmeter to the ANT jack.
- ❑ Press and hold in the [STEP/MCH], [C.S] and [FINE] keys, while turning the radio ON, to enter the alignment mode.
- ❑ Set the frequency to 2.000 MHz in the CW-U mode.
- ❑ Rotate the [FUNC] knob to select the alignment parameter "3-021 100W FALC 1.8".
- ❑ Press and hold the PTT button, then rotate the [MPVD] ring for 101 W (+5W/-1W) on the Wattmeter.
- ❑ Release the PTT button.
- ❑ Rotate the [FUNC] knob to select the alignment parameter "3-022 100W MTR 1.8".
- ❑ Press and hold the PTT button, then rotate the [MPVD] ring for 100 W on the PO meter.
- ❑ Release the PTT button.
- ❑ Rotate the [FUNC] knob to select the alignment parameter "3-023 100W TXG 1.8".
- ❑ Press and hold the PTT button, then rotate the [MPVD] ring for maximum deflection on the ALC meter zone.
- ❑ Release the PTT button.
- ❑ Perform the same procedures for the Alignment parameter "3-024 50W FALC 1.8" through "3-035 5W TXG 1.8" as indicated by the chart on the next page.
- ❑ Perform the same procedures for the Alignment parameter "3-036 100W FALC 3.5" through "3-170 5W TXG 50" (UK version: "3-182 5W TXG 70") as indicated by the chart on the next page.
- ❑ Press and hold in the [FUNC] knob to save the new setting and exit the alignment mode.

Alignment

Alignment parameter	Operation	POWER meter (Adjust to)	ALC Meter Zone (Adjust to)
1.8 MHz	Rotate the [MPVD] ring	3-021 101 W (+5 W/-1 W)	-
		3-022 100 W	-
		3-023 -	Maximum deflection
		3-024 50 W (+5 W/-0 W)	-
		3-025 50 W	-
		3-026 -	Maximum deflection
		3-027 20 W (+2 W/-0 W)	-
		3-028 20 W	-
		3-029 -	Maximum deflection
		3-030 10 W (+1 W/-0 W)	-
		3-031 10 W	-
		3-032 -	Maximum deflection
		3-033 5 W (+1 W/-0 W)	-
		3-034 5 W	-
		3-035 -	Maximum deflection
3.5 MHz	Rotate the [MPVD] ring	3-036 101 W (+5 W/-1 W)	-
		3-037 100 W	-
		3-038 -	Maximum deflection
		3-039 50 W (+5 W/-0 W)	-
		3-040 50 W	-
		3-041 -	Maximum deflection
		3-042 20 W (+2 W/-0 W)	-
		3-043 20 W	-
		3-044 -	Maximum deflection
		3-045 10 W (+1 W/-0 W)	-
		3-046 10 W	-
		3-047 -	Maximum deflection
		3-048 5 W (+1 W/-0 W)	-
		3-049 5 W	-
		3-050 -	Maximum deflection
7 MHz	Rotate the [MPVD] ring	3-051 101 W (+5 W/-1 W)	-
		3-052 100 W	-
		3-053 -	Maximum deflection
		3-054 50 W (+5 W/-0 W)	-
		3-055 50 W	-
		3-056 -	Maximum deflection
		3-057 20 W (+2 W/-0 W)	-
		3-058 20 W	-
		3-059 -	Maximum deflection
		3-060 10 W (+1 W/-0 W)	-
		3-061 10 W	-
		3-062 -	Maximum deflection
		3-063 5 W (+1 W/-0 W)	-
		3-064 5 W	-
		3-065 -	Maximum deflection
10 MHz	Rotate the [MPVD] ring	3-066 101 W (+5 W/-1 W)	-
		3-067 100 W	-
		3-068 -	Maximum deflection
		3-069 50 W (+5 W/-0 W)	-
		3-070 50 W	-
		3-071 -	Maximum deflection
		3-072 20 W (+2 W/-0 W)	-
		3-073 20 W	-
		3-074 -	Maximum deflection
		3-075 10 W (+1 W/-0 W)	-
		3-076 10 W	-
		3-077 -	Maximum deflection
		3-078 5 W (+1 W/-0 W)	-
		3-079 5 W	-
		3-080 -	Maximum deflection

Alignment parameter	Operation	POWER meter (Adjust to)	ALC Meter Zone (Adjust to)
14 MHz	Rotate the [MPVD] ring	3-081 101 W (+5 W/-1 W)	-
		3-082 100 W	-
		3-083 -	Maximum deflection
		3-084 50 W (+5 W/-0 W)	-
		3-085 50 W	-
		3-086 -	Maximum deflection
		3-087 20 W (+2 W/-0 W)	-
		3-088 20 W	-
		3-089 -	Maximum deflection
		3-090 10 W (+1 W/-0 W)	-
		3-091 10 W	-
		3-092 -	Maximum deflection
		3-093 5 W (+1 W/-0 W)	-
		3-094 5 W	-
		3-095 -	Maximum deflection
18 MHz	Rotate the [MPVD] ring	3-096 101 W (+5 W/-1 W)	-
		3-097 100 W	-
		3-098 -	Maximum deflection
		3-099 50 W (+5 W/-0 W)	-
		3-100 50 W	-
		3-101 -	Maximum deflection
		3-102 20 W (+2 W/-0 W)	-
		3-103 20 W	-
		3-104 -	Maximum deflection
		3-105 10 W (+1 W/-0 W)	-
		3-106 10 W	-
		3-107 -	Maximum deflection
		3-108 5 W (+1 W/-0 W)	-
		3-109 5 W	-
		3-110 -	Maximum deflection
21 MHz	Rotate the [MPVD] ring	3-111 101 W (+5 W/-1 W)	-
		3-112 100 W	-
		3-113 -	Maximum deflection
		3-114 50 W (+5 W/-0 W)	-
		3-115 50 W	-
		3-116 -	Maximum deflection
		3-117 20 W (+2 W/-0 W)	-
		3-118 20 W	-
		3-119 -	Maximum deflection
		3-120 10 W (+1 W/-0 W)	-
		3-121 10 W	-
		3-122 -	Maximum deflection
		3-123 5 W (+1 W/-0 W)	-
		3-124 5 W	-
		3-125 -	Maximum deflection
24 MHz	Rotate the [MPVD] ring	3-126 101 W (+5 W/-1 W)	-
		3-127 100 W	-
		3-128 -	Maximum deflection
		3-129 50 W (+5 W/-0 W)	-
		3-130 50 W	-
		3-131 -	Maximum deflection
		3-132 20 W (+2 W/-0 W)	-
		3-133 20 W	-
		3-134 -	Maximum deflection
		3-135 10 W (+1 W/-0 W)	-
		3-136 10 W	-
		3-137 -	Maximum deflection
		3-138 5 W (+1 W/-0 W)	-
		3-139 5 W	-
		3-140 -	Maximum deflection

Alignment parameter	Operation	POWER meter (Adjust to)	ALC Meter Zone (Adjust to)	
28 MHz	Rotate the [MPVD] ring	3-141	101 W (+5 W/-1 W)	-
		3-142	100 W	-
		3-143	-	Maximum deflection
		3-144	50 W (+5 W/-0 W)	-
		3-145	50 W	-
		3-146	-	Maximum deflection
		3-147	20 W (+2 W/-0 W)	-
		3-148	20 W	-
		3-149	-	Maximum deflection
		3-150	10 W (+1 W/-0 W)	-
		3-151	10 W	-
		3-152	-	Maximum deflection
		3-153	5 W (+1 W/-0 W)	-
		3-154	5 W	-
		3-155	-	Maximum deflection
50 MHz	Rotate the [MPVD] ring	3-156	101 W (+5 W/-1 W)	-
		3-157	100 W	-
		3-158	-	Maximum deflection
		3-159	50 W (+5 W/-0 W)	-
		3-160	50 W	-
		3-161	-	Maximum deflection
		3-162	20 W (+2 W/-0 W)	-
		3-163	20 W	-
		3-164	-	Maximum deflection
		3-165	10 W (+1 W/-0 W)	-
		3-166	10 W	-
		3-167	-	Maximum deflection
		3-168	5 W (+1 W/-0 W)	-
		3-169	5 W	-
		3-170	-	Maximum deflection

UK version only

70 MHz	Rotate the [MPVD] ring	3-171	50 W (+0 W/-5 W)	-
		3-172	50 W	-
		3-173	-	S8 - S9
		3-174	20 W (+2 W/-0 W)	-
		3-175	20 W	-
		3-176	-	S8 - S9
		3-177	10 W (+1 W/-0 W)	-
		3-178	10 W	-
		3-179	-	S8 - S9
		3-180	5 W (+1 W/-0 W)	-
		3-181	5 W	-
		3-182	-	S8 - S9

REV-ALC Adjustment

- Connect the 16.6-Ohm Dummy Load to the ANT jack.
- Press and hold in the [STEP/MCH], [C.S] and [FINE] keys, while turning the radio ON, to enter the alignment mode.
- Rotate the [FUNC] knob to select the alignment parameter "3-183 REV ALC 1.8".
- Key the transmitter, then rotate the [MPVD] ring so that the PO meter (on the front panel) reading is 50 W (+0 W/-20 W).
- Unkey the transmitter.
- Perform the same procedures for the Alignment Menus "3-184 REV ALC 3.5" through "3-192 REV ALC 50".
- Press and hold in the [FUNC] knob to save the new setting and exit the alignment mode.

Alignment Parameter	Operation	PO meter (Adjust to)
3-183 REV ALC 1.8	Rotate the [MPVD] ring	50 W (+0 W/-20 W)
3-184 REV ALC 3.5		
3-185 REV ALC 7.0		
3-186 REV ALC 10		
3-187 REV ALC 14		
3-188 REV ALC 18		
3-189 REV ALC 21		
3-190 REV ALC 24		
3-191 REV ALC 28		
3-192 REV ALC 50		

UK version only

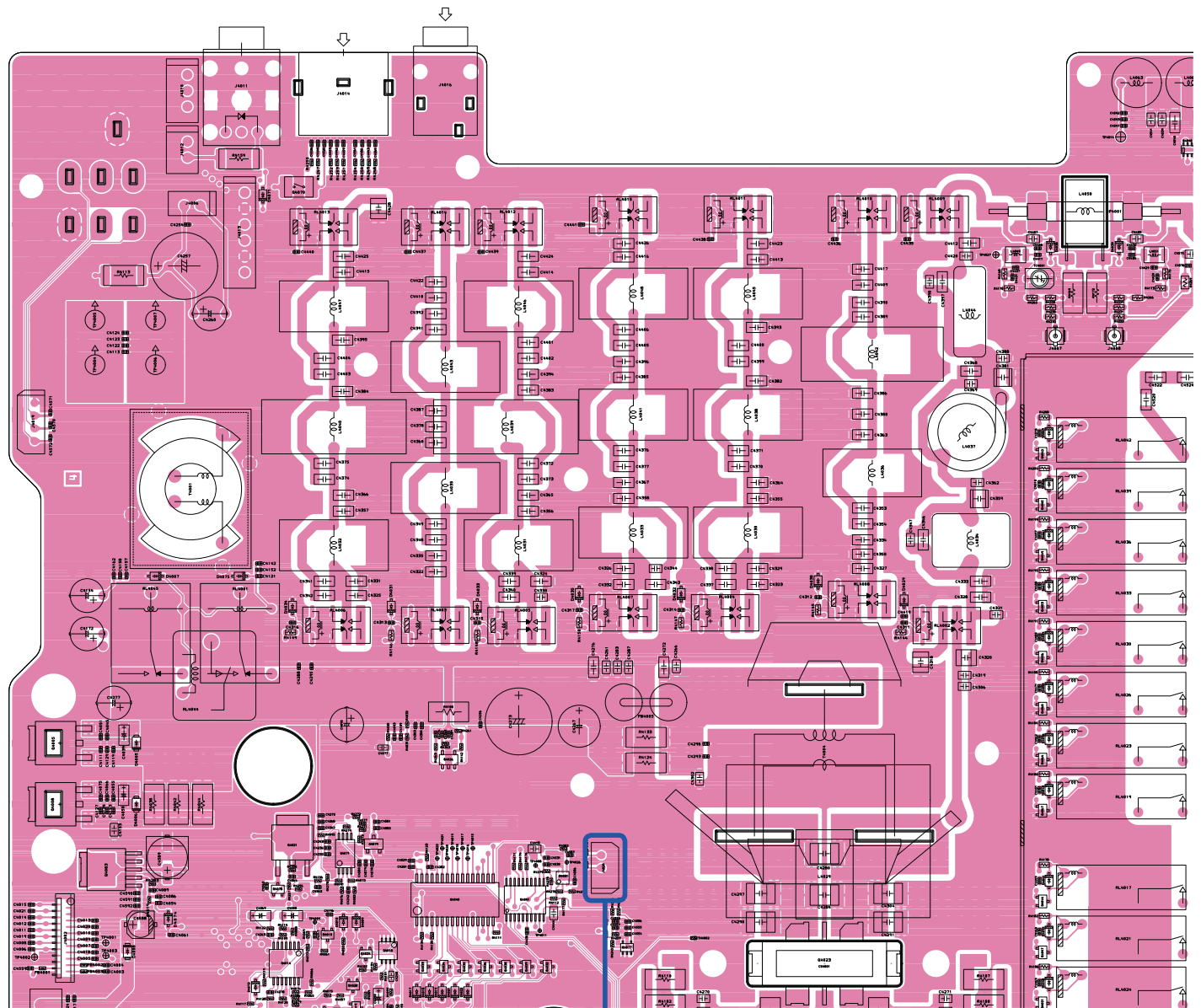
- Connect the 16.6-Ohm Dummy Load to the ANT jack.
- Rotate the [FUNC] knob to select the alignment parameter "3-193 REV ALC 70".
- Key the transmitter, then rotate the [MPVD] ring so that the PO meter (on the front panel) reading is 25 W (+0 W/-10 W).
- Unkey the transmitter.
- Press and hold in the [FUNC] knob to save the new setting and exit the alignment mode.

FM MAX Deviation Adjustment

- ❑ Press and hold in the [STEP/MCH], [C.S] and [FINE] keys, while turning the radio ON, to enter the alignment mode.
- ❑ Rotate the [FUNC] knob to select the alignment parameter "3-195 FM DEV".
- ❑ Rotate the [MPVD] ring so that the parameter indication "200".
- ❑ Rotate the [FUNC] knob to select the alignment parameter "3-196 FM-N DEV".
- ❑ Rotate the [MPVD] ring so that the parameter indication "100".
- ❑ Press and hold in the [FUNC] knob to save the new setting and exit the alignment mode.

SWR Meter Adjustment

- ❑ Connect the 50-Ohm Dummy Load and Wattmeter to the ANT Jack.
- ❑ Apply a 4.20 V (± 0.05 V) DC voltage to pin 3 of J4020 on the FINAL Unit, and 0.84 V (± 0.05 V) DC to pin 2 of J4020.
- ❑ Set the MIC GAIN to Minimum.
- ❑ Press and hold in the [STEP/MCH], [C.S] and [FINE] keys, while turning the radio ON, to enter the alignment mode.
- ❑ Rotate the [FUNC] knob to select the alignment parameter "3-200 SWR-MTR CO 1.8".
- ❑ Rotate the [MPVD] ring so that the parameter indication "128".



J4020

Alignment

- ❑ Rotate the [FUNC] knob to select the alignment parameter "3-197 SWR-MTR1.5 1.8".
- ❑ Rotate the [MPVD] ring so that the parameter indication "50".
- ❑ Press and hold the PTT button, then rotate the [MPVD] ring so that the SWR meter (on the front panel) reading is "1.5". The SWR meter reading (1.5) is broad (few points). Therefore, set the [MPVD] ring to the center of this broad range.
- ❑ Release the PTT button.
- ❑ Apply a 4.20 V (± 0.05 V) DC voltage to pin 3 of J4020 on the FINAL Unit, and 1.40 V (± 0.05 V) DC to pin 2 of J4020.
- ❑ Rotate the [FUNC] knob to select the alignment parameter "3-198 SWR-MTR2.0 1.8".
- ❑ Rotate the [MPVD] ring so that the parameter indication "90".
Note: Please do not change the the Alignment parameter "3-200 SWR-MTR CO 1.8". This parameter is always "128".
- ❑ Press and hold the PTT button, then rotate the [MPVD] ring so that the SWR meter (on the front panel) reading is "2.0." The SWR meter reading (2.0) is broad (few points). Therefore, set the [MPVD] ring to the center of this broad range.
- ❑ Release the PTT button.
- ❑ Apply a 4.20 V (± 0.05 V) DC voltage to pin 3 of J4020 on the FINAL Unit, and 2.10 V (± 0.05 V) DC to pin 2 of J4020.
- ❑ Rotate the [FUNC] knob to select the alignment parameter "3-199 SWR-MTR3.0 1.8".
- ❑ Rotate the [MPVD] ring so that the parameter indication "128".
Note: Please do not change the the Alignment parameter "3-200 SWR-MTR CO 1.8". This parameter is always "128".
- ❑ Press and hold the PTT button, then rotate the [MPVD] ring so that the SWR meter (on the front panel) reading is "3.0." The SWR meter reading (3.0) is broad (few points). Therefore, set the [MPVD] ring to the center of this broad range.
- ❑ Release the PTT button.
- ❑ Perform the same procedures for the Alignment Menus "3-201 SWR-MTR1.5 14" through "3-203 SWR-MTR3.0 14", "3-205 SWR-MTR1.5 50" through "3-207 SWR-MTR3.0 50".

Note: Please do not change the the Alignment parameters "3-200 SWR-MTR CO 1.8", "3-204 SWR-MTR CO 14" and "3-208 SWR-MTR CO 50". These parameters are always "128".

- ❑ Press and hold in the [FUNC] knob to save the new setting and exit the alignment mode.

IDD Meter Adjustment

- ❑ Connect the DC ammeter between External Power supply and FTDX10.
- ❑ Press and hold in the [STEP/MCH], [C.S] and [FINE] keys, while turning the radio ON, to enter the alignment mode.
- ❑ Rotate the [FUNC] knob to select the alignment parameter "3-209 IDD MTR".
- ❑ Set the frequency to 14.200 MHz in the CW-U mode.
- ❑ Key the transmitter, then rotate the [MPVD] ring so that the IDD meter reading is "3A" decrease as that on the DC ammeter.
- ❑ Press the [FUNC] knob, then unkey the transmitter.
- ❑ Press and hold in the [FUNC] knob to save the new setting and exit the alignment mode.

COMP Meter Adjustment

- ❑ Press and hold in the [STEP/MCH], [C.S] and [FINE] keys, while turning the radio ON, to enter the alignment mode.
- ❑ Rotate the [FUNC] knob to select the alignment parameter "3-210 COMP MTR 10dB".
- ❑ Key the transmitter, then rotate the [MPVD] ring for "10 dB" on the COMP meter.
- ❑ Rotate the [FUNC] knob to select the alignment parameter "3-211 COMP MTR 20dB".
- ❑ Key the transmitter, then rotate the [MPVD] ring for "20 dB" on the COMP meter.
- ❑ Rotate the [FUNC] knob to select the alignment parameter "3-212 COMP MTR 30dB".
- ❑ Key the transmitter, then rotate the [MPVD] ring so that the COMP meter deflects to full scale.
- ❑ Press and hold in the [FUNC] knob to save the new setting and exit the alignment mode.

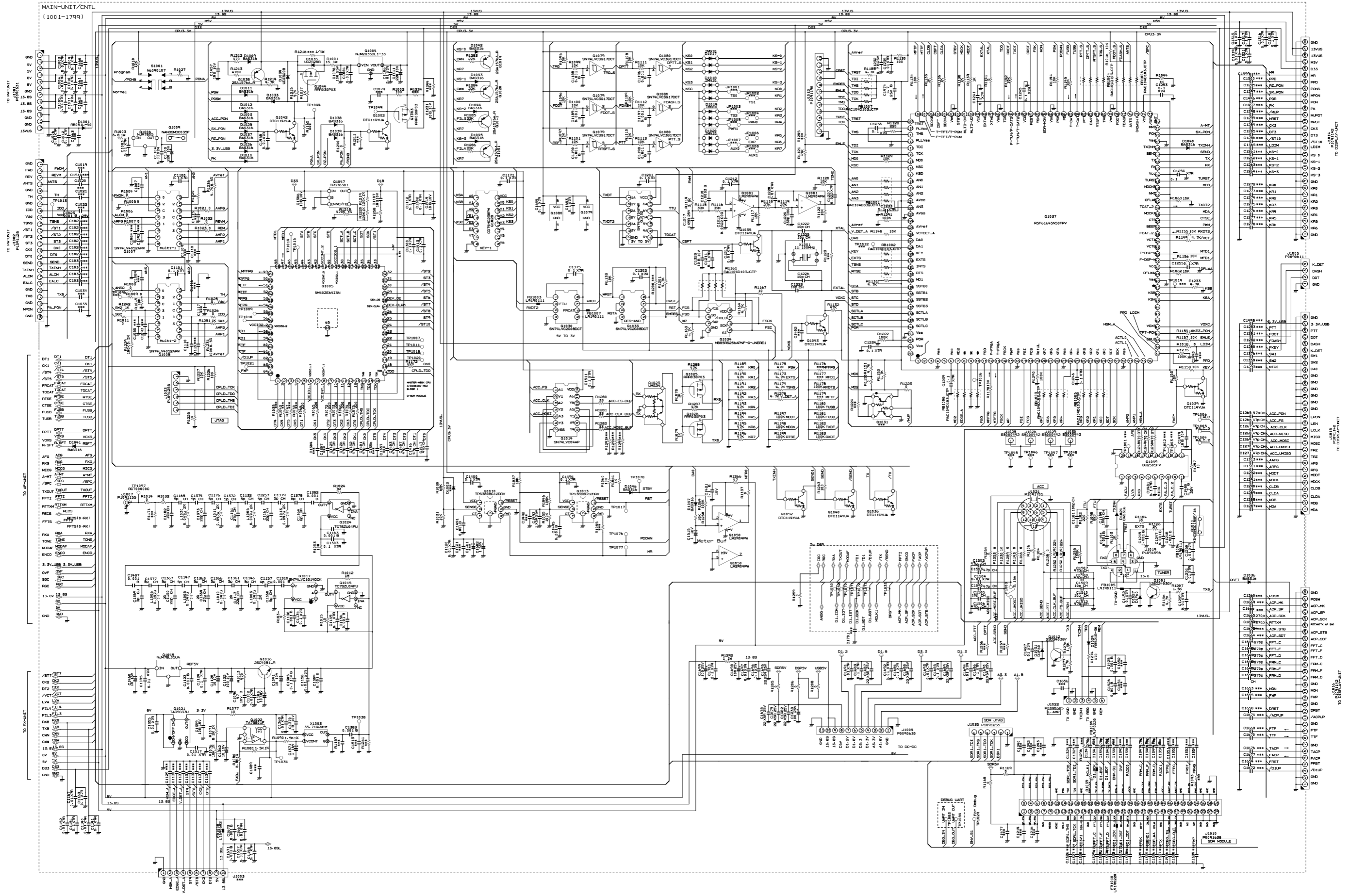
SCOPE REF Adjustment

- ❑ Press and hold in the [STEP/MCH], [C.S] and [FINE] keys, while turning the radio ON, to enter the alignment mode.
- ❑ Rotate the [FUNC] knob to select the alignment parameter "2-040 SCOPE SDR REF", then rotate the [MPVD] ring so that the parameter indication "140".
- ❑ Rotate the [FUNC] knob to select the alignment parameter "2-041 SCOPE IFR REF", then rotate the [MPVD] ring so that the parameter indication "140".
- ❑ Press and hold in the [FUNC] knob to save the new setting and exit the alignment mode.

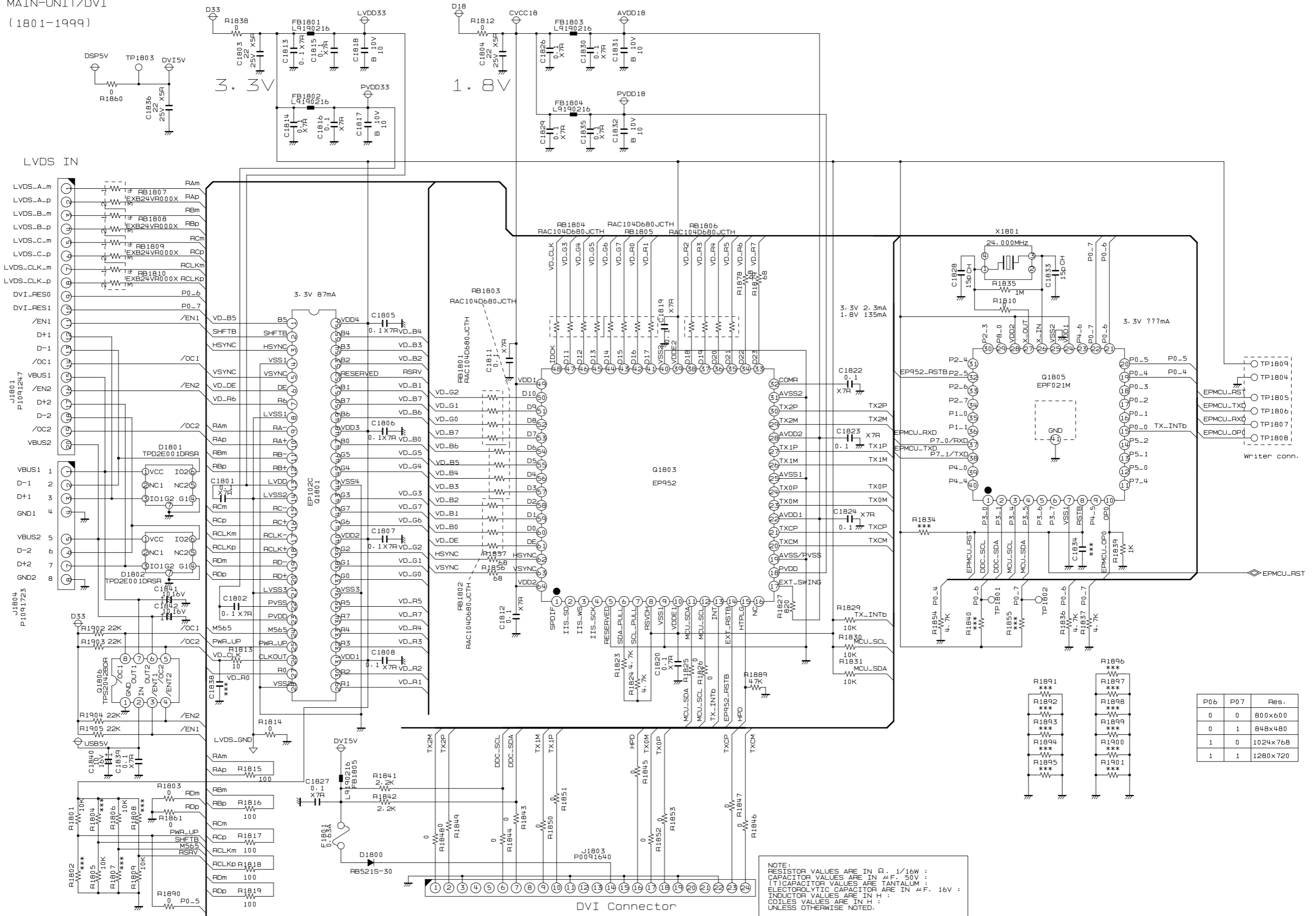
OTHER Adjustments

- ❑ Press and hold in the [STEP/MCH], [C.S] and [FINE] keys, while turning the radio ON, to enter the alignment mode.
- ❑ Rotate the [FUNC] knob to select the alignment parameter, then rotate the [MPVD] ring so that the parameter. Referring to table below.

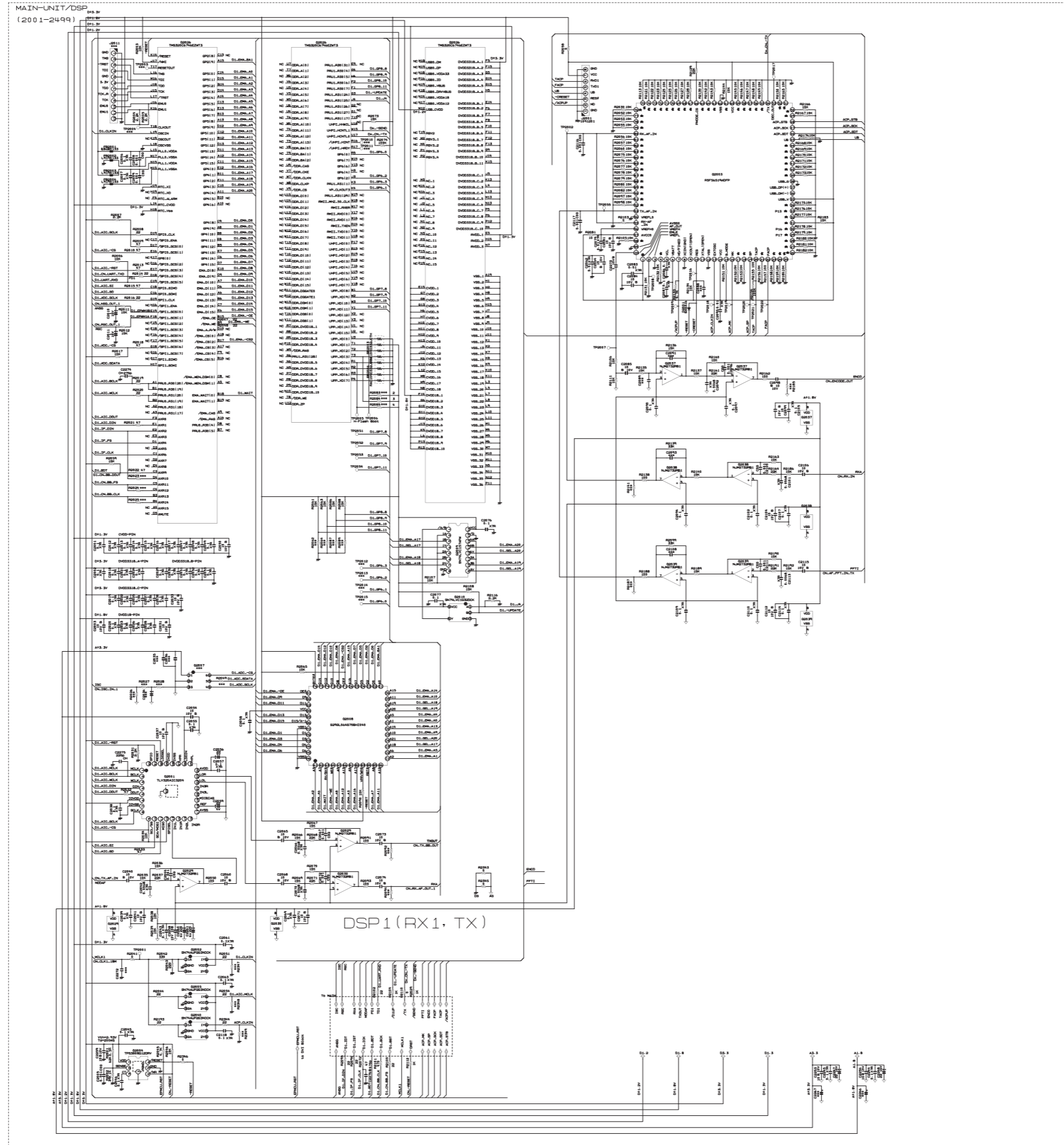
Alignment Parameter	Parameter
1-002 FAN	120
1-004 VCXO	0
1-005 Reserved 0	4
1-006 Reserved 1	0
1-007 Reserved 2	0
1-008 Reserved 3	150
2-027 FIL GAIN 0.3k	91
2-028 FIL GAIN 0.5k	91
2-029 FIL GAIN 3k	91
2-030 FIL GAIN 12k	91

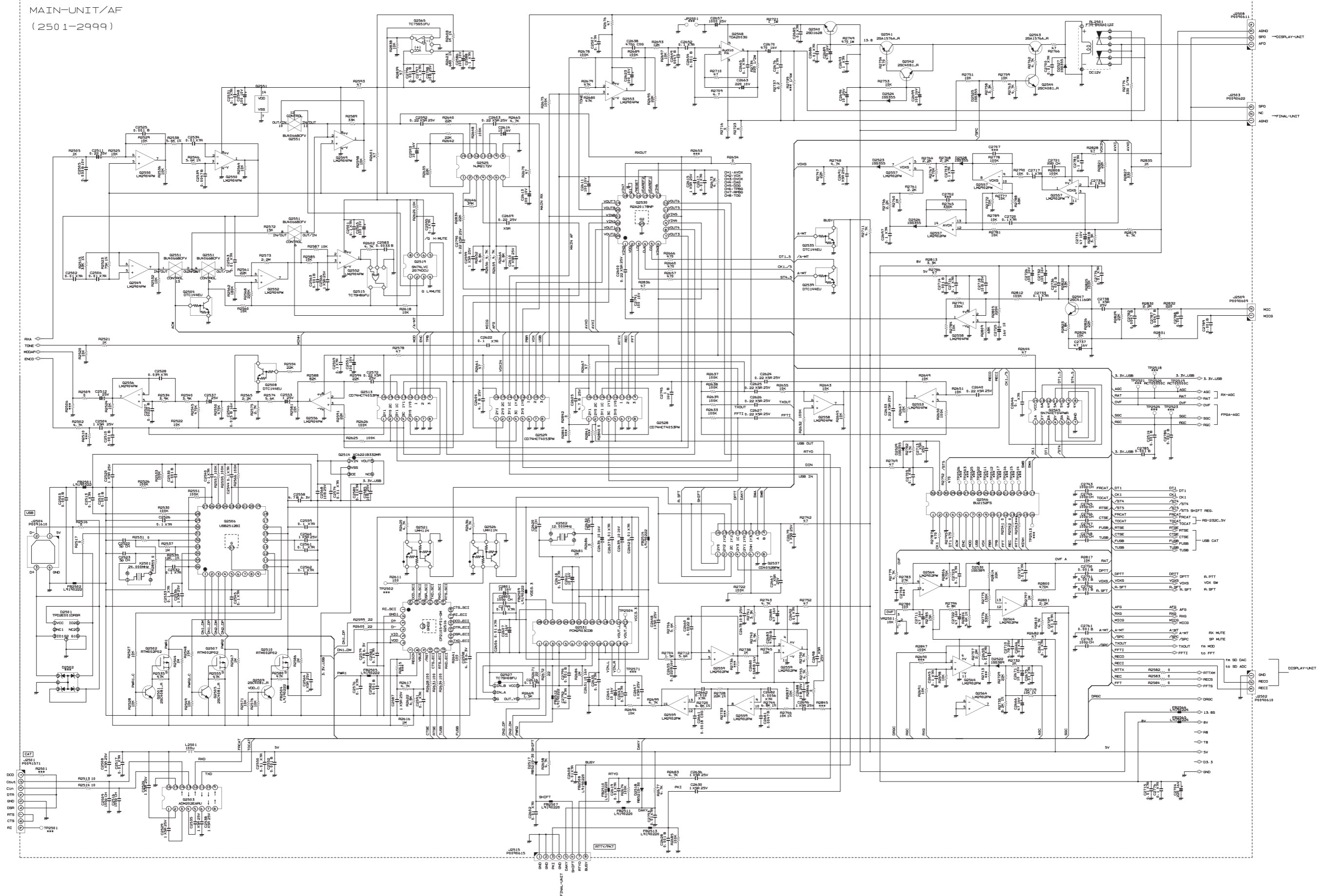


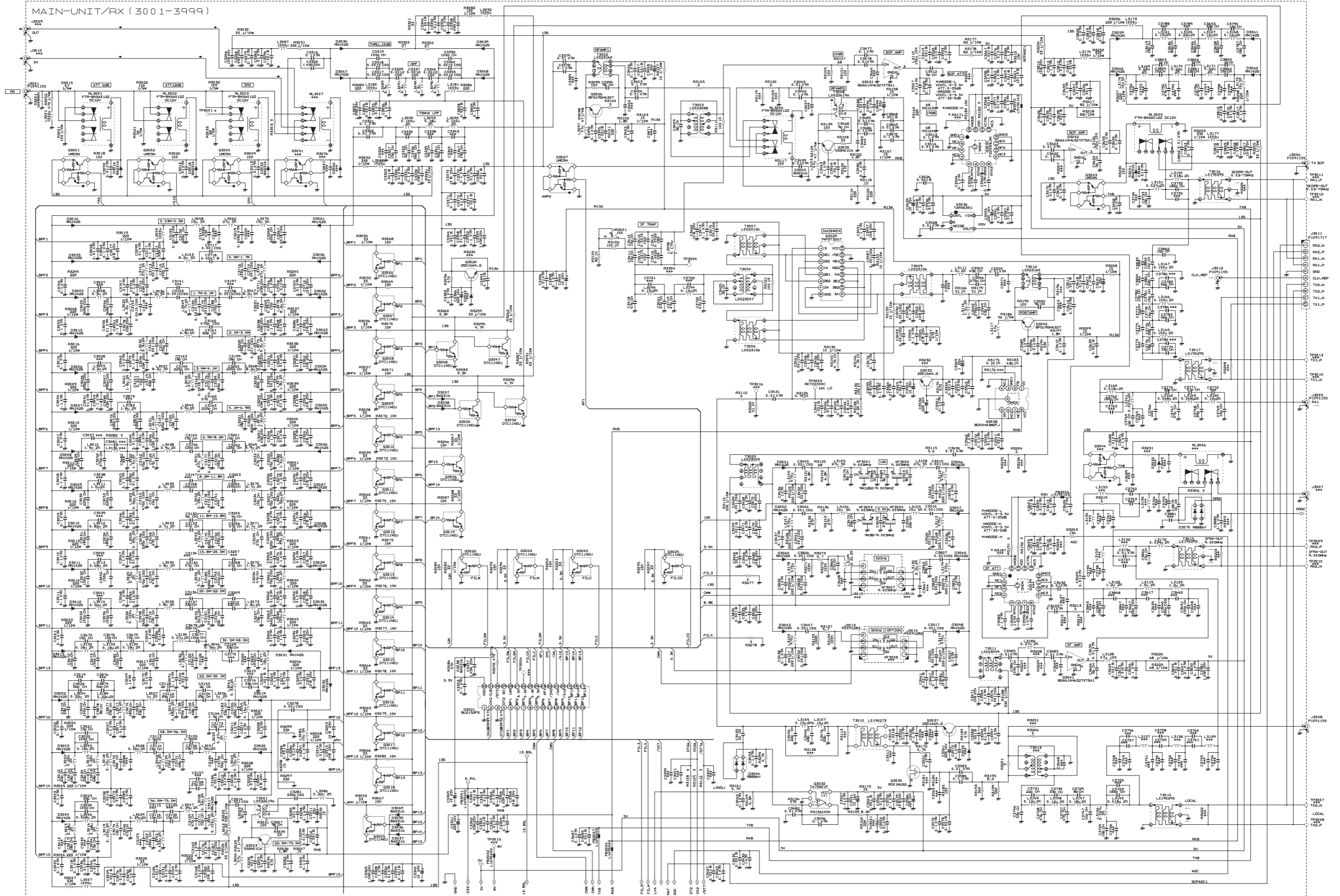
MAIN-UNIT/DVI
(1801-1999)

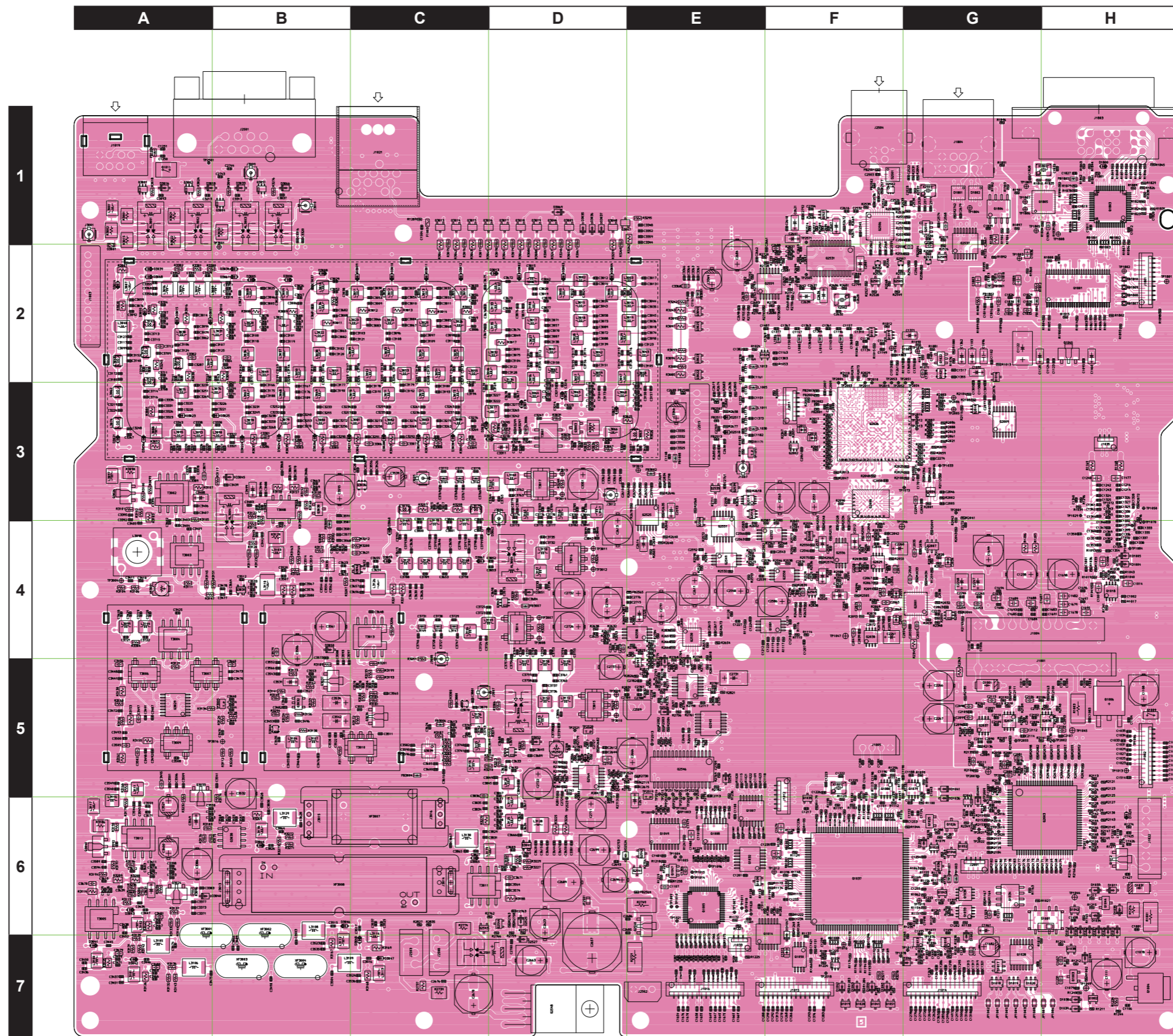


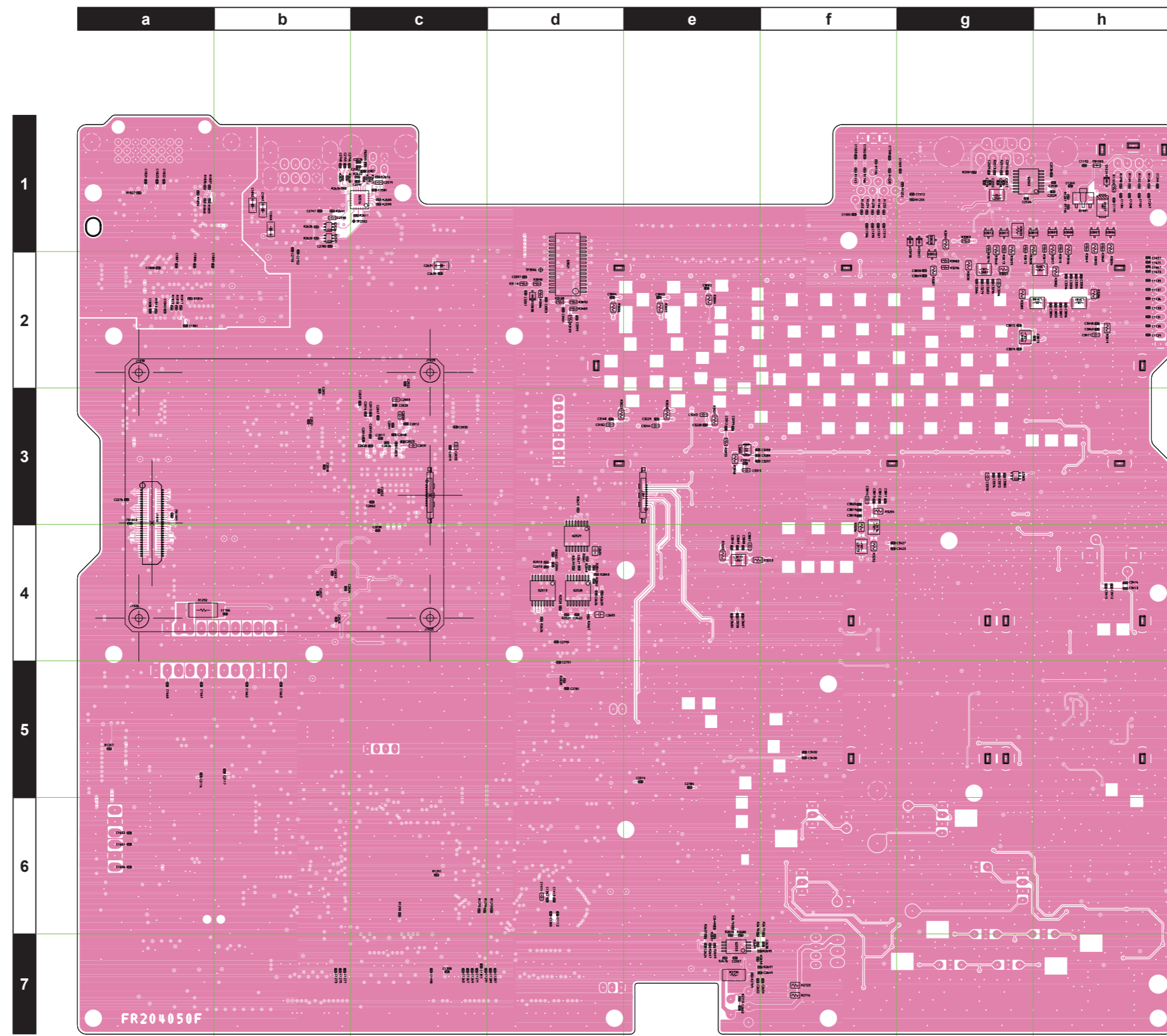
NOTE:
RESISTOR VALUES ARE IN Ω. 1/16W ;
CAPACITOR VALUES ARE IN μF. 50V ;
(T) CAPACITOR VALUES ARE TANTALUM ;
ELECTROLYTIC CAPACITOR ARE IN μF. 16V ;
INDUCTOR VALUES ARE IN H ;
COILS VALUES ARE IN H ;
UNLESS OTHERWISE NOTED.











MAIN Unit Parts List

REF	DESCRIPTION	VALUE	V/W	TOL.	MFR'S DESIG	YAESU P/N	VERS.	LOT	SIDE	LAY ADR
C 1003	CHIP CAP.	0.01uF	50V	X7R	GRM155R71H103KA88D	K22178848		1-	A	H5
C 1004	CHIP CAP.	0.01uF	50V	X7R	GRM155R71H103KA88D	K22178848		1-	A	H5
C 1005	CHIP CAP.	0.01uF	50V	X7R	GRM155R71H103KA88D	K22178848		1-	A	G5
C 1006	CHIP CAP.	0.01uF	50V	X7R	GRM155R71H103KA88D	K22178848		1-	A	G4
C 1009	CHIP CAP.	0.1uF	50V	X7R	GRM155R71H104KE14D	K22178872		1-	A	H5
C 1010	CHIP CAP.	0.1uF	50V	X7R	GRM155R71H104KE14D	K22178872		1-	A	H5
C 1011	CHIP CAP.	0.1uF	50V	X7R	GRM155R71H104KE14D	K22178872		1-	A	G5
C 1012	CHIP CAP.	0.1uF	50V	X7R	GRM155R71H104KE14D	K22178872		1-	A	G4
C 1023	CHIP CAP.	0.01uF	25V	B	GRM155B11E103KA01D	K22148834		1-	A	H5
C 1078	AL.ELECTRO.CAP.	100uF	25V		UWT1E101MCL1GS	K48140032		1-	A	H7
C 1081	CHIP CAP.	0.01uF	50V	X7R	GRM155R71H103KA88D	K22178848		1-	A	H6
C 1083	CHIP CAP.	0.01uF	50V	X7R	GRM155R71H103KA88D	K22178848		1-	A	H5
C 1090	CHIP CAP.	47pF	50V	CH	GRM1552C1H470JA01D	K22178228		1-	B	f1
C 1091	CHIP TA.CAP.	10uF	10V		TAJA106M010RNJ	K78100120		1-	A	G2
C 1095	CHIP CAP.	0.01uF	50V	X7R	GRM155R71H103KA88D	K22178848		1-	A	H2
C 1096	CHIP CAP.	47uF	10V	B	GRM31CB31A476ME15L	K22101804		1-	A	G2
C 1100	CHIP CAP.	0.1uF	50V	X7R	GRM155R71H104KE14D	K22178872		1-	A	E6
C 1101	CHIP CAP.	0.1uF	50V	X7R	GRM155R71H104KE14D	K22178872		1-	A	E6
C 1102	CHIP CAP.	0.01uF	50V	X7R	GRM155R71H103KA88D	K22178848		1-	A	G2
C 1103	CHIP TA.CAP.	10uF	10V		TAJA106M010RNJ	K78100120		1-	A	G2
C 1104	CHIP CAP.	0.01uF	50V	X7R	GRM155R71H103KA88D	K22178848		1-	A	H5
C 1106	CHIP CAP.	0.01uF	50V	X7R	GRM155R71H103KA88D	K22178848		1-	A	H7
C 1107	CHIP CAP.	10uF	10V	B	GRM188B31A106ME69D	K22104810		1-	A	E6
C 1108	AL.ELECTRO.CAP.	220uF	10V		EEE1AA221XP	K48100007		1-	A	H5
C 1111	AL.ELECTRO.CAP.	220uF	10V		EEE1AA221XP	K48100007		1-	A	H7
C 1112	CHIP CAP.	0.1uF	50V	X7R	GRM155R71H104KE14D	K22178872		1-	B	d6
C 1120	CHIP CAP.	0.01uF	50V	X7R	GRM155R71H103KA88D	K22178848		1-	A	G7
C 1122	CHIP TA.CAP.	100uF	10V		TAJD107M010RNJ	K78100113		1-	A	G2
C 1123	CHIP CAP.	0.001uF	50V	B	GRM155B11H102KA01D	K22178809		1-	A	H2
C 1124	CHIP CAP.	0.1uF	50V	X7R	GRM155R71H104KE14D	K22178872		1-	A	H2
C 1125	CHIP CAP.	47pF	50V	CH	GRM1552C1H470JA01D	K22178228		1-	A	E7
C 1126	CHIP CAP.	47pF	50V	CH	GRM1552C1H470JA01D	K22178228		1-	A	E7
C 1128	CHIP TA.CAP.	10uF	10V		TAJA106M010RNJ	K78100120		1-	A	G2
C 1132	CHIP CAP.	5pF	50V	CH	GRM1552C1H5R0CA01D	K22178207		1-	A	E3
C 1134	CHIP CAP.	0.1uF	50V	X7R	GRM155R71H104KE14D	K22178872		1-	A	F2
C 1138	CHIP CAP.	0.001uF	50V	B	GRM155B11H102KA01D	K22178809		1-	A	F2
C 1140	CHIP CAP.	0.01uF	50V	X7R	GRM155R71H103KA88D	K22178848		1-	A	H6
C 1141	CHIP CAP.	0.1uF	50V	X7R	GRM155R71H104KE14D	K22178872		1-	A	H6
C 1142	CHIP CAP.	47pF	50V	CH	GRM1552C1H470JA01D	K22178228		1-	A	E7
C 1143	CHIP CAP.	22pF	50V	CH	GRM1552C1H220JA01D	K22178220		1-	A	F2
C 1146	CHIP CAP.	5pF	50V	CH	GRM1552C1H5R0CA01D	K22178207		1-	A	F2
C 1147	CHIP CAP.	5pF	50V	CH	GRM1552C1H5R0CA01D	K22178207		1-	A	F2
C 1148	CHIP CAP.	0.1uF	50V	X7R	GRM155R71H104KE14D	K22178872		1-	A	E3
C 1149	CHIP CAP.	0.1uF	50V	X7R	GRM155R71H104KE14D	K22178872		1-	A	F2
C 1150	CHIP CAP.	22pF	50V	CH	GRM1552C1H220JA01D	K22178220		1-	A	F2
C 1151	CHIP CAP.	27pF	50V	CH	GRM1552C1H270JA01D	K22178222		1-	A	E3
C 1152	CHIP CAP.	0.01uF	50V	X7R	GRM155R71H103KA88D	K22178848		1-	A	G6
C 1154	CHIP CAP.	0.1uF	50V	X7R	GRM155R71H104KE14D	K22178872		1-	A	G6
C 1156	CHIP CAP.	0.001uF	50V	B	GRM155B11H102KA01D	K22178809		1-	A	F2
C 1157	CHIP CAP.	4pF	50V	CH	GRM1552C1H4R0CA01D	K22178206		1-	A	F2
C 1158	CHIP CAP.	0.01uF	50V	X7R	GRM155R71H103KA88D	K22178848		1-	A	G3
C 1161	CHIP CAP.	22pF	50V	CH	GRM1552C1H220JA01D	K22178220		1-	A	E2
C 1163	CHIP CAP.	0.001uF	50V	B	GRM155B11H102KA01D	K22178809		1-	A	F2
C 1164	CHIP CAP.	6pF	50V	CH	GRM1552C1H6R0DA01D	K22178208		1-	A	E2
C 1165	CHIP CAP.	5pF	50V	CH	GRM1552C1H5R0CA01D	K22178207		1-	A	E3
C 1167	CHIP CAP.	0.01uF	50V	X7R	GRM155R71H103KA88D	K22178848		1-	A	E2
C 1169	CHIP CAP.	0.1uF	50V	X7R	GRM155R71H104KE14D	K22178872		1-	A	E2
C 1171	CHIP CAP.	0.1uF	50V	X7R	GRM155R71H104KE14D	K22178872		1-	A	G7
C 1176	CHIP CAP.	5pF	50V	CH	GRM1552C1H5R0CA01D	K22178207		1-	A	E3
C 1181	CHIP CAP.	100pF	50V	CH	GRM1552C1H101JA01D	K22178236		1-	B	h1
C 1182	CHIP CAP.	10pF	50V	CH	GRM1552C1H100JA01D	K22178212		1-	A	E3
C 1184	CHIP CAP.	100pF	50V	CH	GRM1552C1H101JA01D	K22178236		1-	B	h1
C 1188	CHIP CAP.	0.001uF	50V	B	GRM155B11H102KA01D	K22178809		1-	A	G5
C 1189	CHIP CAP.	0.001uF	50V	B	GRM155B11H102KA01D	K22178809		1-	A	G6
C 1190	CHIP CAP.	0.001uF	50V	B	GRM155B11H102KA01D	K22178809		1-	A	G5
C 1191	CHIP CAP.	0.001uF	50V	B	GRM155B11H102KA01D	K22178809		1-	B	h1
C 1192	CHIP CAP.	0.01uF	50V	X7R	GRM155R71H103KA88D	K22178848		1-	B	h1
C 1196	CHIP CAP.	0.001uF	50V	B	GRM155B11H102KA01D	K22178809		1-	A	F5
C 1197	CHIP CAP.	0.001uF	50V	B	GRM155B11H102KA01D	K22178809		1-	A	F6
C 1198	CHIP CAP.	0.001uF	50V	B	GRM155B11H102KA01D	K22178809		1-	A	F5
C 1201	CHIP CAP.	0.1uF	50V	X7R	GRM155R71H104KE14D	K22178872		1-	A	E6
C 1202	CHIP CAP.	0.1uF	50V	X7R	GRM155R71H104KE14D	K22178872		1-	A	G6
C 1207	CHIP CAP.	1uF	25V	X5R	GRM155R61E105KE11D	K22149010		1-	A	F4
C 1210	CHIP CAP.	0.0033uF	50V	B	GRM155B11H332KA01D	K22178815		1-	A	F4
C 1211	CHIP CAP.	0.1uF	50V	X7R	GRM155R71H104KE14D	K22178872		1-	A	G6

MAIN Unit Parts List

REF	DESCRIPTION	VALUE	V/W	TOL.	MFR'S DESIG	YAESU P/N	VERS.	LOT	SIDE	LAY ADR
C 1212	CHIP CAP.	0.1uF	50V	X7R	GRM155R71H104KE14D	K22178872		1-	A	E4
C 1213	CHIP CAP.	0.0022uF	50V	C0G	GRM1555C1H222JA01D	K22179764		1-	A	F4
C 1217	CHIP CAP.	0.01uF	50V	X7R	GRM155R71H103KA88D	K22178848		1-	A	F6
C 1220	CHIP CAP.	0.01uF	50V	X7R	GRM155R71H103KA88D	K22178848		1-	A	F4
C 1222	CHIP CAP.	10pF	50V	CH	GRM1552C1H100JA01D	K22178212		1-	A	F5
C 1223	CHIP CAP.	10pF	50V	CH	GRM1552C1H100JA01D	K22178212		1-	A	F5
C 1224	CHIP CAP.	330pF	50V	C0G	GRM1555C1H331JA01D	K22179744		1-	A	E4
C 1225	CHIP CAP.	10pF	50V	CH	GRM1552C1H100JA01D	K22178212		1-	A	F5
C 1226	CHIP CAP.	10pF	50V	CH	GRM1552C1H100JA01D	K22178212		1-	A	F5
C 1227	CHIP CAP.	0.022uF	50V	X7R	GRM155R71H223KA12D	K22178856		1-	A	E4
C 1231	CHIP CAP.	10uF	10V	B	GRM188B31A106ME69D	K22104810		1-	A	H7
C 1232	CHIP CAP.	4.7uF	25V	B	GRM21BB31E475KA75L	K22140832		1-	A	F6
C 1233	CHIP CAP.	0.1uF	50V	X7R	GRM155R71H104KE14D	K22178872		1-	A	F6
C 1234	CHIP CAP.	0.1uF	50V	X7R	GRM155R71H104KE14D	K22178872		1-	A	F6
C 1235	CHIP CAP.	0.01uF	50V	X7R	GRM155R71H103KA88D	K22178848		1-	A	F6
C 1236	CHIP CAP.	0.1uF	50V	X7R	GRM155R71H104KE14D	K22178872		1-	A	F6
C 1238	AL.ELECTRO.CAP.	100uF	25V		UWT1E101MCL1GS	K48140032		1-	A	G4
C 1239	CHIP CAP.	0.1uF	50V	X7R	GRM155R71H104KE14D	K22178872		1-	A	F7
C 1241	CHIP CAP.	0.1uF	50V	X7R	GRM155R71H104KE14D	K22178872		1-	A	F6
C 1244	CHIP CAP.	0.001uF	50V	B	GRM155B11H102KA01D	K22178809		1-	B	h1
C 1245	CHIP CAP.	0.1uF	50V	X7R	GRM155R71H104KE14D	K22178872		1-	A	F6
C 1246	CHIP CAP.	0.1uF	50V	X7R	GRM155R71H104KE14D	K22178872		1-	A	F7
C 1247	CHIP CAP.	0.001uF	50V	B	GRM155B11H102KA01D	K22178809		1-	B	h1
C 1248	CHIP CAP.	0.001uF	50V	B	GRM155B11H102KA01D	K22178809		1-	B	h1
C 1249	CHIP CAP.	0.01uF	50V	X7R	GRM155R71H103KA88D	K22178848		1-	B	h1
C 1250	CHIP CAP.	0.01uF	50V	X7R	GRM155R71H103KA88D	K22178848		1-	A	A1
C 1251	CHIP CAP.	0.01uF	50V	X7R	GRM155R71H103KA88D	K22178848		1-	A	A1
C 1253	CHIP CAP.	0.1uF	50V	X7R	GRM155R71H104KE14D	K22178872		1-	A	G6
C 1254	CHIP CAP.	0.1uF	50V	X7R	GRM155R71H104KE14D	K22178872		1-	A	G6
C 1255	CHIP CAP.	0.1uF	50V	X7R	GRM155R71H104KE14D	K22178872		1-	A	G6
C 1257	CHIP CAP.	5pF	50V	CH	GRM1552C1H5R0CA01D	K22178207		1-	A	E2
C 1265	CHIP CAP.	47pF	50V	CH	GRM1552C1H470JA01D	K22178228		1-	B	c7
C 1266	CHIP CAP.	47pF	50V	CH	GRM1552C1H470JA01D	K22178228		1-	A	F7
C 1267	CHIP CAP.	47pF	50V	CH	GRM1552C1H470JA01D	K22178228		1-	B	c7
C 1268	CHIP CAP.	47pF	50V	CH	GRM1552C1H470JA01D	K22178228		1-	A	F7
C 1269	CHIP CAP.	47pF	50V	CH	GRM1552C1H470JA01D	K22178228		1-	B	c7
C 1270	CHIP CAP.	47pF	50V	CH	GRM1552C1H470JA01D	K22178228		1-	A	F7
C 1271	CHIP CAP.	47pF	50V	CH	GRM1552C1H470JA01D	K22178228		1-	B	c7
C 1300	CHIP CAP.	0.1uF	50V	X7R	GRM155R71H104KE14D	K22178872		1-	B	d6
C 1302	CHIP CAP.	0.1uF	50V	X7R	GRM155R71H104KE14D	K22178872		1-	B	d6
C 1303	CHIP CAP.	0.1uF	50V	X7R	GRM155R71H104KE14D	K22178872		1-	A	F2
C 1305	CHIP CAP.	0.1uF	10V	B	GRM155B11A104KA01D	K22108802		1-	A	G3
C 1306	CHIP CAP.	10uF	10V	B	GRM188B31A106ME69D	K22104810		1-	A	E6
C 1309	CHIP CAP.	0.001uF	50V	B	GRM155B11H102KA01D	K22178809		1-	A	G3
C 1310	CHIP CAP.	0.001uF	50V	B	GRM155B11H102KA01D	K22178809		1-	A	F2
C 1315	CHIP CAP.	0.01uF	50V	X7R	GRM155R71H103KA88D	K22178848		1-	A	G7
C 1316	CHIP CAP.	0.01uF	50V	X7R	GRM155R71H103KA88D	K22178848		1-	A	G7
C 1317	CHIP CAP.	0.1uF	50V	X7R	GRM155R71H104KE14D	K22178872		1-	A	G7
C 1318	CHIP CAP.	0.1uF	50V	X7R	GRM155R71H104KE14D	K22178872		1-	A	G7
C 1319	CHIP CAP.	0.01uF	50V	X7R	GRM155R71H103KA88D	K22178848		1-	A	G7
C 1321	CHIP CAP.	0.1uF	50V	X7R	GRM155R71H104KE14D	K22178872		1-	A	G7
C 1323	CHIP CAP.	10uF	10V	B	GRM188B31A106ME69D	K22104810		1-	A	G6
C 1329	CHIP CAP.	470pF	50V	B	GRM155B11H471KA01D	K22178805		1-	A	H3
C 1330	CHIP CAP.	270pF	50V	CH	GRM1552C1H271JA01D	K22179715		1-	A	H3
C 1331	CHIP CAP.	470pF	50V	B	GRM155B11H471KA01D	K22178805		1-	A	H3
C 1333	CHIP CAP.	270pF	50V	CH	GRM1552C1H271JA01D	K22179715		1-	A	H4
C 1340	CHIP CAP.	270pF	50V	CH	GRM1552C1H271JA01D	K22179715		1-	A	H3
C 1342	CHIP CAP.	270pF	50V	CH	GRM1552C1H271JA01D	K22179715		1-	A	H3
C 1343	CHIP CAP.	270pF	50V	CH	GRM1552C1H271JA01D	K22179715		1-	A	H3
C 1347	CHIP CAP.	470pF	50V	B	GRM155B11H471KA01D	K22178805		1-	A	H4
C 1348	CHIP CAP.	470pF	50V	B	GRM155B11H471KA01D	K22178805		1-	A	H4
C 1349	CHIP CAP.	470pF	50V	B	GRM155B11H471KA01D	K22178805		1-	A	H4
C 1355	CHIP CAP.	0.01uF	50V	X7R	GRM155R71H103KA88D	K22178848		1-	A	G2
C 1359	CHIP CAP.	10uF	10V	B	GRM188B31A106ME69D	K22104810		1-	A	G2
C 1360	CHIP CAP.	5pF	50V	CH	GRM1552C1H5R0CA01D	K22178207		1-	A	F2
C 1361	CHIP CAP.	5pF	50V	CH	GRM1552C1H5R0CA01D	K22178207		1-	A	F2
C 1362	CHIP TA.CAP.	10uF	10V		TAJA106M010RNJ	K78100120		1-	A	G2
C 1363	CHIP CAP.	5pF	50V	CH	GRM1552C1H5R0CA01D	K22178207		1-	A	F2
C 1364	CHIP CAP.	27pF	50V	CH	GRM1552C1H270JA01D	K22178222		1-	A	F2
C 1366	CHIP CAP.	5pF	50V	CH	GRM1552C1H5R0CA01D	K22178207		1-	A	F2
C 1367	CHIP CAP.	5pF	50V	CH	GRM1552C1H5R0CA01D	K22178207		1-	A	F2
C 1368	CHIP CAP.	0.01uF	50V	X7R	GRM155R71H103KA88D	K22178848		1-	A	G2
C 1369	CHIP CAP.	3pF	50V	CJ	GRM1553C1H3R0CA01D	K22178205		1-	A	F2
C 1370	CHIP CAP.	1uF	10V	B	GRM155B31A105KE15D	K22108809		1-	A	G2
C 1371	CHIP TA.CAP.	1uF	16V		TMCSA1C105MTRF	K78120009		1-	A	G2

MAIN Unit Parts List

REF	DESCRIPTION	VALUE	V/W	TOL.	MFR'S DESIG	YAESU P/N	VERS.	LOT	SIDE	LAY ADR
C 1372	CHIP CAP.	5pF	50V	CH	GRM1552C1H5R0CA01D	K22178207		1-	A	E3
C 1373	CHIP CAP.	22pF	50V	CH	GRM1552C1H220JA01D	K22178220		1-	A	E3
C 1374	CHIP CAP.	5pF	50V	CH	GRM1552C1H5R0CA01D	K22178207		1-	A	E3
C 1375	CHIP CAP.	0.1uF	50V	X7R	GRM155R71H104KE14D	K22178872		1-	A	G6
C 1377	CHIP CAP.	8pF	50V	CH	GRM1552C1H8R0DA01D	K22178210		1-	A	F2
C 1378	CHIP CAP.	6pF	50V	CH	GRM1552C1H6R0DA01D	K22178208		1-	A	E2
C 1379	CHIP CAP.	5pF	50V	CH	GRM1552C1H5R0CA01D	K22178207		1-	A	E2
C 1382	CHIP CAP.	0.001uF	50V	B	GRM155B11H102KA01D	K22178809		1-	A	E2
C 1383	CHIP CAP.	0.001uF	50V	B	GRM155B11H102KA01D	K22178809		1-	A	F2
C 1400	CHIP CAP.	0.1uF	50V	X7R	GRM155R71H104KE14D	K22178872		1-	A	G7
C 1401	CHIP CAP.	47pF	50V	CH	GRM1552C1H470JA01D	K22178228		1-	A	E6
C 1403	CHIP CAP.	47pF	50V	CH	GRM1552C1H470JA01D	K22178228		1-	A	E7
C 1407	CHIP CAP.	47pF	50V	CH	GRM1552C1H470JA01D	K22178228		1-	A	E7
C 1413	CHIP CAP.	0.1uF	50V	X7R	GRM155R71H104KE14D	K22178872		1-	B	d6
C 1414	CHIP CAP.	10uF	10V	B	GRM188B31A106ME69D	K22104810		1-	B	d6
C 1416	CHIP CAP.	47pF	50V	CH	GRM1552C1H470JA01D	K22178228		1-	A	E7
C 1417	CHIP CAP.	47pF	50V	CH	GRM1552C1H470JA01D	K22178228		1-	A	E7
C 1421	CHIP CAP.	0.1uF	10V	B	GRM155B11A104KA01D	K22108802		1-	A	F7
C 1425	CHIP CAP.	0.001uF	50V	B	GRM155B11H102KA01D	K22178809		1-	A	H6
C 1426	CHIP CAP.	0.001uF	50V	B	GRM155B11H102KA01D	K22178809		1-	A	H6
C 1427	CHIP CAP.	0.01uF	50V	X7R	GRM155R71H103KA88D	K22178848		1-	A	H6
C 1457	CHIP CAP.	10uF	10V	B	GRM188B31A106ME69D	K22104810		1	A	H7
C 1457	CHIP CAP.	10uF	25V	B	GRM188R61E106MA73D	K22144818		2-	A	H7
C 1458	CHIP CAP.	0.01uF	50V	X7R	GRM155R71H103KA88D	K22178848		1-	A	H6
C 1460	CHIP TA.CAP.	10uF	16V		TMCMA1C106MTRF	K78120077		1-	A	H2
C 1474	CHIP CAP.	4.7uF	25V	B	GRM21BB31E475KA75L	K22140832		1-	A	F6
C 1479	CHIP CAP.	10uF	10V	B	GRM188B31A106ME69D	K22104810		1-	A	E6
C 1480	CHIP CAP.	4.7uF	25V	B	GRM21BB31E475KA75L	K22140832		1-	A	E6
C 1481	CHIP CAP.	0.1uF	50V	X7R	GRM155R71H104KE14D	K22178872		1-	A	E6
C 1482	CHIP CAP.	22uF	25V	X5R	GRM21BR61E226ME44L	K22140830		1-	A	H4
C 1487	CHIP CAP.	0.001uF	50V	B	GRM155B11H102KA01D	K22178809		1-	A	F2
C 1491	CHIP CAP.	0.001uF	50V	B	GRM155B11H102KA01D	K22178809		1-	A	G6
C 1493	CHIP CAP.	1uF	25V	X5R	GRM155R61E105KE11D	K22149010		1-	A	G7
C 1494	CHIP CAP.	0.1uF	50V	X7R	GRM155R71H104KE14D	K22178872		1-	A	G7
C 1495	CHIP CAP.	0.001uF	50V	B	GRM155B11H102KA01D	K22178809		1-	A	G6
C 1502	CHIP CAP.	47pF	50V	CH	GRM1552C1H470JA01D	K22178228		1-	B	f1
C 1503	CHIP CAP.	47pF	50V	CH	GRM1552C1H470JA01D	K22178228		1-	B	f1
C 1504	CHIP CAP.	0.01uF	50V	X7R	GRM155R71H103KA88D	K22178848		1-	A	C1
C 1505	CHIP CAP.	10pF	50V	CH	GRM1552C1H100JA01D	K22178212		1-	B	f1
C 1506	CHIP CAP.	47pF	50V	CH	GRM1552C1H470JA01D	K22178228		1-	B	f1
C 1507	CHIP CAP.	47pF	50V	CH	GRM1552C1H470JA01D	K22178228		1-	B	f1
C 1508	CHIP CAP.	47pF	50V	CH	GRM1552C1H470JA01D	K22178228		1-	B	f1
C 1509	CHIP CAP.	10pF	50V	CH	GRM1552C1H100JA01D	K22178212		1-	B	g1
C 1510	CHIP CAP.	10pF	50V	CH	GRM1552C1H100JA01D	K22178212		1-	B	f1
C 1511	CHIP CAP.	0.1uF	50V	X7R	GRM155R71H104KE14D	K22178872		1-	A	E6
C 1512	CHIP CAP.	47pF	50V	CH	GRM1552C1H470JA01D	K22178228		1-	B	g1
C 1515	CHIP TA.CAP.	1uF	16V		TMCP1C105MTRF	K78120076		1-	A	F7
C 1517	CHIP CAP.	0.01uF	50V	X7R	GRM155R71H103KA88D	K22178848		1-	A	G2
C 1643	CHIP CAP.	0.1uF	50V	X7R	GRM155R71H104KE14D	K22178872		1-	A	G5
C 1644	CHIP CAP.	0.1uF	50V	X7R	GRM155R71H104KE14D	K22178872		1-	A	F5
C 1645	CHIP CAP.	270pF	50V	CH	GRM1552C1H271JA01D	K22179715		1-	A	E7
C 1646	CHIP CAP.	270pF	50V	CH	GRM1552C1H271JA01D	K22179715		1-	A	E7
C 1647	CHIP CAP.	270pF	50V	CH	GRM1552C1H271JA01D	K22179715		1-	A	E7
C 1648	CHIP CAP.	270pF	50V	CH	GRM1552C1H271JA01D	K22179715		1-	A	E7
C 1649	CHIP CAP.	270pF	50V	CH	GRM1552C1H271JA01D	K22179715		1-	A	E7
C 1650	CHIP CAP.	270pF	50V	CH	GRM1552C1H271JA01D	K22179715		1-	A	E7
C 1657	CHIP CAP.	0.01uF	50V	X7R	GRM155R71H103KA88D	K22178848		1-	B	h2
C 1659	CHIP CAP.	270pF	50V	CH	GRM1552C1H271JA01D	K22179715		1-	A	E7
C 1665	CHIP CAP.	270pF	50V	CH	GRM1552C1H271JA01D	K22179715		1-	A	E7
C 1667	CHIP CAP.	0.01uF	50V	X7R	GRM155R71H103KA88D	K22178848		1-	B	h2
C 1671	CHIP CAP.	0.001uF	50V	B	GRM155B11H102KA01D	K22178809		1-	B	h2
C 1673	CHIP CAP.	0.001uF	50V	B	GRM155B11H102KA01D	K22178809		1-	B	h2
C 1678	CHIP CAP.	22uF	25V	X5R	GRM21BR61E226ME44L	K22140830		1-	A	H4
C 1679	CHIP CAP.	22uF	25V	X5R	GRM21BR61E226ME44L	K22140830		1-	A	H4
C 1682	AL.ELECTRO.CAP.	1uF	50V		EEE1HA010SR	K48170027		1-	A	G7
C 1683	CHIP CAP.	0.1uF	50V	X7R	GRM155R71H104KE14D	K22178872		1-	A	H4
C 1684	CHIP CAP.	0.1uF	50V	X7R	GRM155R71H104KE14D	K22178872		1-	A	G4
C 1685	CHIP CAP.	0.1uF	50V	X7R	GRM155R71H104KE14D	K22178872		1-	A	G4
C 1686	CHIP CAP.	0.1uF	50V	X7R	GRM155R71H104KE14D	K22178872		1-	A	G4
C 1687	CHIP CAP.	22uF	25V	X5R	GRM21BR61E226ME44L	K22140830		1-	A	H4
C 1688	CHIP CAP.	22uF	25V	X5R	GRM21BR61E226ME44L	K22140830		1-	A	G4
C 1689	CHIP CAP.	22uF	25V	X5R	GRM21BR61E226ME44L	K22140830		1-	A	G4
C 1690	CHIP CAP.	22uF	25V	X5R	GRM21BR61E226ME44L	K22140830		1-	A	G4
C 1691	CHIP CAP.	0.01uF	50V	X7R	GRM155R71H103KA88D	K22178848		1-	A	H4
C 1692	CHIP CAP.	0.01uF	50V	X7R	GRM155R71H103KA88D	K22178848		1-	A	G4

MAIN Unit Parts List

REF	DESCRIPTION	VALUE	V/W	TOL.	MFR'S DESIG	YAESU P/N	VERS.	LOT	SIDE	LAY ADR
C 1693	CHIP CAP.	0.01uF	50V	X7R	GRM155R71H103KA88D	K22178848		1-	A	G4
C 1694	CHIP CAP.	0.01uF	50V	X7R	GRM155R71H103KA88D	K22178848		1-	A	G4
C 1695	CHIP CAP.	22uF	25V	X5R	GRM21BR61E226ME44L	K22140830		1-	A	H4
C 1696	CHIP CAP.	0.1uF	50V	X7R	GRM155R71H104KE14D	K22178872		1-	A	H4
C 1697	CHIP CAP.	0.01uF	50V	X7R	GRM155R71H103KA88D	K22178848		1-	A	H4
C 1698	AL.ELECTRO.CAP.	100uF	25V		UWT1E101MCL1GS	K48140032		1-	A	H4
C 1699	AL.ELECTRO.CAP.	100uF	25V		UWT1E101MCL1GS	K48140032		1-	A	G4
C 1700	CHIP CAP.	0.1uF	50V	X7R	GRM155R71H104KE14D	K22178872		1-	B	b4
C 1801	CHIP CAP.	0.1uF	50V	X7R	GRM155R71H104KE14D	K22178872		1-	B	a2
C 1802	CHIP CAP.	0.1uF	50V	X7R	GRM155R71H104KE14D	K22178872		1-	B	a2
C 1803	CHIP CAP.	22uF	25V	X5R	GRM21BR61E226ME44L	K22140830		1-	A	G2
C 1804	CHIP CAP.	22uF	25V	X5R	GRM21BR61E226ME44L	K22140830		1-	A	G2
C 1805	CHIP CAP.	0.1uF	50V	X7R	GRM155R71H104KE14D	K22178872		1-	B	a2
C 1806	CHIP CAP.	0.1uF	50V	X7R	GRM155R71H104KE14D	K22178872		1-	B	a2
C 1807	CHIP CAP.	0.1uF	50V	X7R	GRM155R71H104KE14D	K22178872		1-	B	a2
C 1808	CHIP CAP.	0.1uF	50V	X7R	GRM155R71H104KE14D	K22178872		1-	B	a2
C 1811	CHIP CAP.	0.1uF	50V	X7R	GRM155R71H104KE14D	K22178872		1-	A	H1
C 1812	CHIP CAP.	0.1uF	50V	X7R	GRM155R71H104KE14D	K22178872		1-	A	H1
C 1813	CHIP CAP.	0.1uF	50V	X7R	GRM155R71H104KE14D	K22178872		1-	A	G2
C 1814	CHIP CAP.	0.1uF	50V	X7R	GRM155R71H104KE14D	K22178872		1-	A	G2
C 1815	CHIP CAP.	0.1uF	50V	X7R	GRM155R71H104KE14D	K22178872		1-	A	G2
C 1816	CHIP CAP.	0.1uF	50V	X7R	GRM155R71H104KE14D	K22178872		1-	A	G2
C 1817	CHIP CAP.	10uF	10V	B	GRM188B31A106ME69D	K22104810		1-	A	G2
C 1818	CHIP CAP.	10uF	10V	B	GRM188B31A106ME69D	K22104810		1-	A	G2
C 1819	CHIP CAP.	0.1uF	50V	X7R	GRM155R71H104KE14D	K22178872		1-	A	H1
C 1820	CHIP CAP.	0.1uF	50V	X7R	GRM155R71H104KE14D	K22178872		1-	A	H1
C 1822	CHIP CAP.	0.1uF	50V	X7R	GRM155R71H104KE14D	K22178872		1-	B	a1
C 1823	CHIP CAP.	0.1uF	50V	X7R	GRM155R71H104KE14D	K22178872		1-	B	a1
C 1824	CHIP CAP.	0.1uF	50V	X7R	GRM155R71H104KE14D	K22178872		1-	B	a1
C 1826	CHIP CAP.	0.1uF	50V	X7R	GRM155R71H104KE14D	K22178872		1-	A	G2
C 1827	CHIP CAP.	0.1uF	50V	X7R	GRM155R71H104KE14D	K22178872		1-	A	H1
C 1828	CHIP CAP.	15pF	50V	CH	GRM1552C1H150JA01D	K22178216		1-	A	G1
C 1829	CHIP CAP.	0.1uF	50V	X7R	GRM155R71H104KE14D	K22178872		1-	A	G2
C 1830	CHIP CAP.	0.1uF	50V	X7R	GRM155R71H104KE14D	K22178872		1-	A	G2
C 1831	CHIP CAP.	10uF	10V	B	GRM188B31A106ME69D	K22104810		1-	A	G2
C 1832	CHIP CAP.	10uF	10V	B	GRM188B31A106ME69D	K22104810		1-	A	G2
C 1833	CHIP CAP.	15pF	50V	CH	GRM1552C1H150JA01D	K22178216		1-	A	H1
C 1835	CHIP CAP.	0.1uF	50V	X7R	GRM155R71H104KE14D	K22178872		1-	A	G2
C 1836	CHIP CAP.	22uF	25V	X5R	GRM21BR61E226ME44L	K22140830		1-	A	G2
C 1839	CHIP CAP.	0.1uF	50V	X7R	GRM155R71H104KE14D	K22178872		1-	A	G1
C 1840	CHIP TA.CAP.	10uF	16V		TMCMA1C106MTRF	K78120077		1-	B	b1
C 1841	CHIP TA.CAP.	10uF	16V		TMCMA1C106MTRF	K78120077		1-	B	b1
C 1842	CHIP TA.CAP.	10uF	16V		TMCMA1C106MTRF	K78120077		1-	B	b1
C 2001	CHIP CAP.	0.1uF	50V	X7R	GRM155R71H104KE14D	K22178872		1-	B	c3
C 2002	CHIP CAP.	0.1uF	50V	X7R	GRM155R71H104KE14D	K22178872		1-	B	c3
C 2003	CHIP CAP.	10uF	10V	B	GRM188B31A106ME69D	K22104810		1-	B	c3
C 2005	CHIP CAP.	0.001uF	50V	C0G	GRM1555C1H102JA01D	K22179756		1-	A	G3
C 2006	CHIP CAP.	0.1uF	50V	X7R	GRM155R71H104KE14D	K22178872		1-	A	F3
C 2007	CHIP CAP.	0.1uF	50V	X7R	GRM155R71H104KE14D	K22178872		1-	A	F3
C 2008	CHIP CAP.	0.001uF	50V	C0G	GRM1555C1H102JA01D	K22179756		1-	A	F3
C 2009	CHIP CAP.	0.001uF	50V	C0G	GRM1555C1H102JA01D	K22179756		1-	A	F3
C 2010	CHIP TA.CAP.	1uF	16V		TMCP1C105MTRF	K78120076		1-	A	F3
C 2011	CHIP TA.CAP.	1uF	16V		TMCP1C105MTRF	K78120076		1-	A	F3
C 2012	CHIP CAP.	0.1uF	50V	X7R	GRM155R71H104KE14D	K22178872		1-	B	c3
C 2013	CHIP CAP.	0.1uF	50V	X7R	GRM155R71H104KE14D	K22178872		1-	B	c3
C 2014	CHIP CAP.	0.1uF	50V	X7R	GRM155R71H104KE14D	K22178872		1-	B	c3
C 2015	CHIP CAP.	0.1uF	50V	X7R	GRM155R71H104KE14D	K22178872		1-	B	c3
C 2016	CHIP CAP.	0.1uF	50V	X7R	GRM155R71H104KE14D	K22178872		1-	B	c3
C 2017	CHIP CAP.	0.1uF	50V	X7R	GRM155R71H104KE14D	K22178872		1-	B	c3
C 2018	CHIP CAP.	0.1uF	50V	X7R	GRM155R71H104KE14D	K22178872		1-	B	b3
C 2019	CHIP CAP.	0.1uF	50V	X7R	GRM155R71H104KE14D	K22178872		1-	B	c3
C 2020	CHIP CAP.	0.1uF	50V	X7R	GRM155R71H104KE14D	K22178872		1-	B	c3
C 2021	CHIP CAP.	0.1uF	50V	X7R	GRM155R71H104KE14D	K22178872		1-	B	b3
C 2022	CHIP CAP.	0.1uF	50V	X7R	GRM155R71H104KE14D	K22178872		1-	B	c2
C 2023	CHIP CAP.	0.1uF	50V	X7R	GRM155R71H104KE14D	K22178872		1-	B	c3
C 2024	CHIP CAP.	0.1uF	50V	X7R	GRM155R71H104KE14D	K22178872		1-	B	b4
C 2025	CHIP CAP.	0.1uF	50V	X7R	GRM155R71H104KE14D	K22178872		1-	B	b4
C 2026	CHIP CAP.	0.1uF	50V	X7R	GRM155R71H104KE14D	K22178872		1-	B	c3
C 2027	CHIP CAP.	0.1uF	50V	X7R	GRM155R71H104KE14D	K22178872		1-	B	b4
C 2028	CHIP CAP.	0.1uF	50V	X7R	GRM155R71H104KE14D	K22178872		1-	B	c3
C 2029	CHIP CAP.	0.1uF	50V	X7R	GRM155R71H104KE14D	K22178872		1-	B	c3
C 2030	CHIP CAP.	0.1uF	50V	X7R	GRM155R71H104KE14D	K22178872		1-	B	c4
C 2031	CHIP CAP.	10uF	10V	B	GRM188B31A106ME69D	K22104810		1-	B	c3
C 2032	CHIP CAP.	0.1uF	50V	X7R	GRM155R71H104KE14D	K22178872		1-	B	c3
C 2033	CHIP CAP.	10uF	10V	B	GRM188B31A106ME69D	K22104810		1-	B	c3

MAIN Unit Parts List

REF	DESCRIPTION	VALUE	V/W	TOL.	MFR'S DESIG	YAESU P/N	VERS.	LOT	SIDE	LAY ADR
C 2037	CHIP CAP.	10uF	10V	B	GRM188B31A106ME69D	K22104810		1-	A	G4
C 2038	CHIP CAP.	0.1uF	50V	X7R	GRM155R71H104KE14D	K22178872		1-	A	G4
C 2039	CHIP CAP.	0.1uF	50V	X7R	GRM155R71H104KE14D	K22178872		1-	A	F4
C 2040	CHIP CAP.	10uF	10V	B	GRM188B31A106ME69D	K22104810		1-	A	F4
C 2041	CHIP CAP.	10uF	10V	B	GRM188B31A106ME69D	K22104810		1-	A	F4
C 2042	CHIP CAP.	0.0068uF	50V	X7R	GRM155R71H682KA88D	K22178844		1-	A	F4
C 2043	CHIP CAP.	0.1uF	50V	X7R	GRM155R71H104KE14D	K22178872		1-	A	F4
C 2044	CHIP CAP.	0.001uF	50V	C0G	GRM1555C1H102JA01D	K22179756		1-	A	F4
C 2045	CHIP CAP.	0.1uF	50V	X7R	GRM155R71H104KE14D	K22178872		1-	A	G3
C 2046	CHIP CAP.	0.1uF	50V	X7R	GRM155R71H104KE14D	K22178872		1-	A	G3
C 2047	CHIP CAP.	0.1uF	50V	X7R	GRM155R71H104KE14D	K22178872		1-	B	c3
C 2048	CHIP CAP.	0.1uF	50V	X7R	GRM155R71H104KE14D	K22178872		1-	B	c3
C 2049	CHIP CAP.	0.1uF	50V	X7R	GRM155R71H104KE14D	K22178872		1-	B	c3
C 2050	CHIP CAP.	10uF	10V	B	GRM188B31A106ME69D	K22104810		1-	B	c3
C 2051	CHIP CAP.	0.1uF	50V	X7R	GRM155R71H104KE14D	K22178872		1-	B	b3
C 2052	CHIP CAP.	0.1uF	50V	X7R	GRM155R71H104KE14D	K22178872		1-	B	c3
C 2053	CHIP CAP.	0.1uF	50V	X7R	GRM155R71H104KE14D	K22178872		1-	B	b4
C 2054	CHIP CAP.	10uF	10V	B	GRM188B31A106ME69D	K22104810		1-	A	G4
C 2055	CHIP CAP.	0.1uF	50V	X7R	GRM155R71H104KE14D	K22178872		1-	A	G4
C 2056	CHIP TA.CAP.	22uF	4V		TMCP0G226MTRF	K78060047		1-	A	F4
C 2057	CHIP CAP.	0.1uF	50V	X7R	GRM155R71H104KE14D	K22178872		1-	A	F4
C 2058	CHIP CAP.	0.1uF	50V	X7R	GRM155R71H104KE14D	K22178872		1-	A	F3
C 2059	CHIP TA.CAP.	22uF	4V		TMCP0G226MTRF	K78060047		1-	A	F4
C 2060	CHIP CAP.	10uF	10V	B	GRM188B31A106ME69D	K22104810		1-	A	G4
C 2061	CHIP CAP.	0.1uF	50V	X7R	GRM155R71H104KE14D	K22178872		1-	A	F3
C 2062	CHIP CAP.	0.01uF	50V	X7R	GRM155R71H103KA88D	K22178848		1-	A	G5
C 2063	CHIP CAP.	0.1uF	50V	X7R	GRM155R71H104KE14D	K22178872		1-	A	G4
C 2064	CHIP CAP.	10uF	10V	B	GRM188B31A106ME69D	K22104810		1-	A	G5
C 2065	CHIP CAP.	10uF	10V	B	GRM188B31A106ME69D	K22104810		1-	A	F4
C 2066	CHIP CAP.	0.0068uF	50V	X7R	GRM155R71H682KA88D	K22178844		1-	A	F4
C 2067	CHIP CAP.	0.001uF	50V	C0G	GRM1555C1H102JA01D	K22179756		1-	A	F4
C 2068	CHIP CAP.	10uF	10V	B	GRM188B31A106ME69D	K22104810		1-	A	F4
C 2069	CHIP CAP.	0.1uF	50V	X7R	GRM155R71H104KE14D	K22178872		1-	A	F4
C 2070	CHIP CAP.	0.0068uF	50V	X7R	GRM155R71H682KA88D	K22178844		1-	A	F4
C 2071	CHIP CAP.	10uF	10V	B	GRM188B31A106ME69D	K22104810		1-	A	F4
C 2072	CHIP CAP.	0.001uF	50V	C0G	GRM1555C1H102JA01D	K22179756		1-	A	F4
C 2073	CHIP CAP.	10uF	10V	B	GRM188B31A106ME69D	K22104810		1-	A	F4
C 2074	CHIP CAP.	10uF	10V	B	GRM188B31A106ME69D	K22104810		1-	A	F4
C 2076	CHIP CAP.	0.1uF	50V	X7R	GRM155R71H104KE14D	K22178872		1-	A	G3
C 2077	CHIP CAP.	0.1uF	50V	X7R	GRM155R71H104KE14D	K22178872		1-	A	G3
C 2079	CHIP CAP.	0.01uF	50V	X7R	GRM155R71H103KA88D	K22178848		1-	A	G5
C 2081	CHIP CAP.	10uF	10V	B	GRM188B31A106ME69D	K22104810		1-	A	G5
C 2083	CHIP CAP.	0.01uF	50V	X7R	GRM155R71H103KA88D	K22178848		1-	A	G5
C 2084	CHIP CAP.	10uF	10V	B	GRM188B31A106ME69D	K22104810		1-	A	G5
C 2085	CHIP CAP.	10uF	10V	B	GRM188B31A106ME69D	K22104810		1-	A	G5
C 2086	CHIP CAP.	0.1uF	50V	X7R	GRM155R71H104KE14D	K22178872		1-	A	G5
C 2087	CHIP CAP.	0.1uF	50V	X7R	GRM155R71H104KE14D	K22178872		1-	A	G5
C 2090	CHIP CAP.	0.1uF	50V	X7R	GRM155R71H104KE14D	K22178872		1-	A	G5
C 2092	CHIP CAP.	0.0068uF	50V	X7R	GRM155R71H682KA88D	K22178844		1-	A	G5
C 2094	CHIP CAP.	0.1uF	50V	X7R	GRM155R71H104KE14D	K22178872		1-	A	G5
C 2095	CHIP CAP.	0.01uF	50V	X7R	GRM155R71H103KA88D	K22178848		1-	A	G6
C 2096	CHIP CAP.	0.001uF	50V	C0G	GRM1555C1H102JA01D	K22179756		1-	A	G5
C 2097	CHIP CAP.	0.1uF	50V	X7R	GRM155R71H104KE14D	K22178872		1-	A	G5
C 2098	CHIP CAP.	10uF	10V	B	GRM188B31A106ME69D	K22104810		1-	A	G5
C 2099	CHIP CAP.	10uF	10V	B	GRM188B31A106ME69D	K22104810		1-	A	G5
C 2100	CHIP CAP.	0.001uF	50V	C0G	GRM1555C1H102JA01D	K22179756		1-	A	H5
C 2101	CHIP CAP.	0.0068uF	50V	X7R	GRM155R71H682KA88D	K22178844		1-	A	G5
C 2102	CHIP CAP.	0.1uF	50V	X7R	GRM155R71H104KE14D	K22178872		1-	A	G5
C 2104	CHIP CAP.	10uF	10V	B	GRM188B31A106ME69D	K22104810		1-	A	H5
C 2105	CHIP CAP.	0.1uF	50V	X7R	GRM155R71H104KE14D	K22178872		1-	A	G5
C 2106	CHIP CAP.	10uF	10V	B	GRM188B31A106ME69D	K22104810		1-	A	G5
C 2107	CHIP CAP.	0.1uF	50V	X7R	GRM155R71H104KE14D	K22178872		1-	A	H5
C 2109	CHIP CAP.	0.1uF	50V	X7R	GRM155R71H104KE14D	K22178872		1-	A	G5
C 2110	CHIP CAP.	0.1uF	50V	X7R	GRM155R71H104KE14D	K22178872		1-	A	G5
C 2111	CHIP CAP.	0.001uF	50V	C0G	GRM1555C1H102JA01D	K22179756		1-	A	G5
C 2112	CHIP CAP.	10uF	10V	B	GRM188B31A106ME69D	K22104810		1-	A	G5
C 2113	CHIP CAP.	0.0068uF	50V	X7R	GRM155R71H682KA88D	K22178844		1-	A	G5
C 2114	CHIP CAP.	0.1uF	50V	X7R	GRM155R71H104KE14D	K22178872		1-	A	G5
C 2115	CHIP CAP.	10uF	10V	B	GRM188B31A106ME69D	K22104810		1-	A	G5
C 2116	CHIP CAP.	0.001uF	50V	C0G	GRM1555C1H102JA01D	K22179756		1-	B	a5
C 2117	CHIP CAP.	0.001uF	50V	C0G	GRM1555C1H102JA01D	K22179756		1-	B	b5
C 2118	CHIP CAP.	0.1uF	50V	X7R	GRM155R71H104KE14D	K22178872		1-	A	G6
C 2244	CHIP CAP.	0.1uF	50V	X7R	GRM155R71H104KE14D	K22178872		1-	A	G4
C 2245	CHIP CAP.	0.1uF	50V	X7R	GRM155R71H104KE14D	K22178872		1-	A	G4
C 2247	CHIP TA.CAP.	22uF	16V		TPSB226M016Y0600	K78120075		1-	A	G4

MAIN Unit Parts List

REF	DESCRIPTION	VALUE	V/W	TOL.	MFR'S DESIG	YAESU P/N	VERS.	LOT	SIDE	LAY ADR
C 2248	CHIP TA.CAP.	22uF	16V		TPSB226M016Y0600	K78120075		1-	A	G4
C 2253	CHIP CAP.	10uF	10V	B	GRM188B31A106ME69D	K22104810		1-	A	G4
C 2254	CHIP CAP.	10uF	10V	B	GRM188B31A106ME69D	K22104810		1-	A	G4
C 2258	CHIP CAP.	10uF	10V	B	GRM188B31A106ME69D	K22104810		1-	A	F4
C 2259	CHIP CAP.	10uF	10V	B	GRM188B31A106ME69D	K22104810		1-	A	G3
C 2260	CHIP TA.CAP.	220uF	4V		TMCMB0G227MTRF	K78060052		1-	A	F4
C 2261	CHIP TA.CAP.	220uF	4V		TMCMB0G227MTRF	K78060052		1-	A	F4
C 2273	CHIP CAP.	1uF	10V	B	GRM155B31A105KE15D	K22108809		1-	A	G5
C 2274	CHIP CAP.	270pF	50V	CH	GRM1552C1H271JA01D	K22179715		1-	A	G3
C 2275	CHIP CAP.	220pF	50V	CH	GRM1552C1H221JA01D	K22179713		1-	A	G4
C 2276	CHIP CAP.	470pF	50V	B	GRM155B11H471KA01D	K22178805		1-	B	a3
C 2501	CHIP CAP.	0.1uF	50V	X7R	GRM155R71H104KE14D	K22178872		1-	A	F4
C 2502	CHIP CAP.	0.01uF	50V	X7R	GRM155R71H103KA88D	K22178848		1-	A	E4
C 2503	CHIP CAP.	0.001uF	50V	B	GRM155B11H102KA01D	K22178809		1-	A	F1
C 2504	CHIP CAP.	1uF	25V	X5R	GRM155R61E105KE11D	K22149010		1-	B	d4
C 2505	CHIP CAP.	0.033uF	10V	B	GRM155B11A333KA01D	K22108803		1-	A	F4
C 2506	CHIP CAP.	0.01uF	50V	X7R	GRM155R71H103KA88D	K22178848		1-	A	E4
C 2507	CHIP CAP.	0.1uF	50V	X7R	GRM155R71H104KE14D	K22178872		1-	B	e7
C 2508	CHIP CAP.	1uF	25V	X5R	GRM155R61E105KE11D	K22149010		1-	B	g1
C 2509	CHIP CAP.	100pF	50V	CH	GRM1552C1H101JA01D	K22178236		1-	B	g1
C 2510	CHIP CAP.	0.001uF	50V	B	GRM155B11H102KA01D	K22178809		1-	B	d4
C 2511	CHIP TA.CAP.	0.22uF	35V		TMCSA1V224MTRF	K78160027		1-	A	F4
C 2512	CHIP TA.CAP.	1uF	25V		TMCMA1E105MTRF	K78140013		1-	A	F4
C 2513	CHIP CAP.	0.1uF	50V	X7R	GRM155R71H104KE14D	K22178872		1-	A	G1
C 2514	CHIP CAP.	0.001uF	50V	B	GRM155B11H102KA01D	K22178809		1-	B	e5
C 2516	CHIP CAP.	100pF	50V	CH	GRM1552C1H101JA01D	K22178236		1-	B	g1
C 2517	CHIP CAP.	0.01uF	50V	X7R	GRM155R71H103KA88D	K22178848		1-	B	g1
C 2519	CHIP CAP.	0.001uF	50V	B	GRM155B11H102KA01D	K22178809		1-	A	G1
C 2520	CHIP CAP.	1uF	25V	X5R	GRM155R61E105KE11D	K22149010		1-	A	G1
C 2522	CHIP CAP.	5pF	50V	CH	GRM1552C1H5R0CA01D	K22178207		1-	A	G1
C 2523	CHIP CAP.	5pF	50V	CH	GRM1552C1H5R0CA01D	K22178207		1-	A	G1
C 2524	CHIP CAP.	1uF	25V	X5R	GRM155R61E105KE11D	K22149010		1-	B	g1
C 2525	CHIP CAP.	0.001uF	50V	B	GRM155B11H102KA01D	K22178809		1-	A	F4
C 2526	CHIP CAP.	0.1uF	50V	X7R	GRM155R71H104KE14D	K22178872		1-	A	F1
C 2527	CHIP CAP.	0.0022uF	50V	B	GRM155B11H222KA01D	K22178813		1-	A	F4
C 2528	CHIP CAP.	0.039uF	50V	X7R	GRM155R71H393KE14D	K22178862		1-	A	F4
C 2529	CHIP CAP.	1uF	25V	X5R	GRM155R61E105KE11D	K22149010		1-	B	h1
C 2530	CHIP CAP.	0.001uF	50V	B	GRM155B11H102KA01D	K22178809		1-	A	G1
C 2531	CHIP CAP.	0.1uF	50V	X7R	GRM155R71H104KE14D	K22178872		1-	A	F4
C 2532	CHIP CAP.	0.1uF	50V	X7R	GRM155R71H104KE14D	K22178872		1-	A	F1
C 2533	CHIP CAP.	0.1uF	50V	X7R	GRM155R71H104KE14D	K22178872		1-	A	F1
C 2534	CHIP CAP.	0.01uF	50V	X7R	GRM155R71H103KA88D	K22178848		1-	A	F4
C 2535	CHIP CAP.	1uF	25V	X5R	GRM155R61E105KE11D	K22149010		1-	B	h1
C 2536	CHIP CAP.	1uF	25V	X5R	GRM155R61E105KE11D	K22149010		1-	A	F1
C 2537	CHIP TA.CAP.	1uF	25V		TMCMA1E105MTRF	K78140013		1-	A	F4
C 2538	CHIP CAP.	1uF	25V	X5R	GRM155R61E105KE11D	K22149010		1-	B	h1
C 2539	CHIP CAP.	0.0047uF	50V	B	GRM155B11H472KA01D	K22178838		1-	A	E4
C 2540	CHIP CAP.	0.1uF	50V	X7R	GRM155R71H104KE14D	K22178872		1-	A	G1
C 2543	CHIP CAP.	0.01uF	50V	X7R	GRM155R71H103KA88D	K22178848		1-	A	F4
C 2544	CHIP CAP.	0.1uF	50V	X7R	GRM155R71H104KE14D	K22178872		1-	A	G1
C 2545	CHIP CAP.	0.1uF	50V	X7R	GRM155R71H104KE14D	K22178872		1-	A	F1
C 2546	CHIP CAP.	0.015uF	16V	B	GRM155B11C153KA01D	K22128807		1-	A	F4
C 2548	AL.ELECTRO.CAP.	100uF	10V		10CE100GA	K48100016		1-	A	E4
C 2549	CHIP CAP.	0.1uF	50V	X7R	GRM155R71H104KE14D	K22178872		1-	A	F4
C 2550	CHIP CAP.	0.01uF	50V	X7R	GRM155R71H103KA88D	K22178848		1-	B	g1
C 2551	AL.ELECTRO.CAP.	100uF	10V		10CE100GA	K48100016		1-	A	F3
C 2552	CHIP CAP.	0.001uF	50V	B	GRM155B11H102KA01D	K22178809		1-	B	g1
C 2553	CHIP TA.CAP.	1uF	25V		TMCMA1E105MTRF	K78140013		1-	A	F4
C 2558	CHIP CAP.	4.7uF	6.3V	B	JMK107BJ475MA-T	K22084803		1-	A	G2
C 2559	CHIP CAP.	0.1uF	50V	X7R	GRM155R71H104KE14D	K22178872		1-	A	F2
C 2560	CHIP CAP.	1uF	25V	X5R	GRM155R61E105KE11D	K22149010		1-	A	F2
C 2561	CHIP CAP.	0.1uF	50V	X7R	GRM155R71H104KE14D	K22178872		1-	A	F2
C 2562	CHIP CAP.	0.1uF	50V	X7R	GRM155R71H104KE14D	K22178872		1-	A	F2
C 2563	CHIP CAP.	0.001uF	50V	B	GRM155B11H102KA01D	K22178809		1-	A	E4
C 2564	CHIP CAP.	1uF	25V	X5R	GRM155R61E105KE11D	K22149010		1-	A	G2
C 2565	AL.ELECTRO.CAP.	100uF	10V		10CE100GA	K48100016		1-	A	F3
C 2566	CHIP CAP.	1uF	25V	X5R	GRM155R61E105KE11D	K22149010		1-	A	E4
C 2568	CHIP CAP.	10uF	25V	B	GRM188R61E106MA73D	K22144818		1-	A	G1
C 2572	CHIP CAP.	0.22uF	25V	X5R	GRM155R61E224KE01D	K22149006		1-	A	F4
C 2574	CHIP CAP.	0.01uF	50V	X7R	GRM155R71H103KA88D	K22178848		1-	A	G1
C 2576	CHIP CAP.	0.1uF	50V	X7R	GRM155R71H104KE14D	K22178872		1-	B	c1
C 2579	CHIP CAP.	4.7uF	6.3V	B	JMK107BJ475MA-T	K22084803		1-	B	c1
C 2580	CHIP CAP.	0.01uF	50V	X7R	GRM155R71H103KA88D	K22178848		1-	A	G1
C 2581	CHIP CAP.	0.1uF	50V	X7R	GRM155R71H104KE14D	K22178872		1-	B	c1
C 2582	CHIP CAP.	0.001uF	50V	B	GRM155B11H102KA01D	K22178809		1-	B	c1

MAIN Unit Parts List

REF	DESCRIPTION	VALUE	V/W	TOL.	MFR'S DESIG	YAESU P/N	VERS.	LOT	SIDE	LAY ADR
C 2583	CHIP CAP.	0.0033uF	50V	B	GRM155B11H332KA01D	K22178815		1-	A	E4
C 2585	CHIP CAP.	10uF	25V	B	GRM188R61E106MA73D	K22144818		1-	A	G2
C 2586	AL.ELECTRO.CAP.	100uF	10V		10CE100GA	K48100016		1-	A	F4
C 2587	CHIP CAP.	1uF	25V	X5R	GRM155R61E105KE11D	K22149010		1-	B	c1
C 2588	CHIP CAP.	0.1uF	50V	X7R	GRM155R71H104KE14D	K22178872		1-	A	F4
C 2591	CHIP CAP.	0.1uF	50V	X7R	GRM155R71H104KE14D	K22178872		1-	B	c1
C 2592	CHIP CAP.	0.22uF	25V	X5R	GRM155R61E224KE01D	K22149006		1-	A	E4
C 2593	CHIP TA.CAP.	10uF	16V		TMCMA1C106MTRF	K78120077		1-	A	E3
C 2595	CHIP CAP.	0.1uF	50V	X7R	GRM155R71H104KE14D	K22178872		1-	A	E3
C 2598	CHIP CAP.	4.7uF	6.3V	B	JMK107BJ475MA-T	K22084803		1-	B	b1
C 2599	CHIP CAP.	1uF	25V	X5R	GRM155R61E105KE11D	K22149010		1-	A	E3
C 2600	CHIP CAP.	0.22uF	25V	X5R	GRM155R61E224KE01D	K22149006		1-	A	E4
C 2602	CHIP CAP.	0.01uF	50V	X7R	GRM155R71H103KA88D	K22178848		1-	A	E3
C 2603	CHIP CAP.	0.22uF	25V	X5R	GRM155R61E224KE01D	K22149006		1-	A	E4
C 2604	CHIP CAP.	4.7uF	25V	B	GRM21BB31E475KA75L	K22140832		1-	B	d4
C 2605	CHIP CAP.	4.7uF	25V	B	GRM21BB31E475KA75L	K22140832		1-	B	d4
C 2606	CHIP CAP.	0.01uF	50V	X7R	GRM155R71H103KA88D	K22178848		1-	A	F1
C 2607	CHIP TA.CAP.	10uF	16V		TMCMA1C106MTRF	K78120077		1-	A	F1
C 2608	CHIP CAP.	0.01uF	50V	X7R	GRM155R71H103KA88D	K22178848		1-	A	E3
C 2609	CHIP CAP.	0.22uF	25V	X5R	GRM155R61E224KE01D	K22149006		1-	A	E3
C 2610	CHIP CAP.	1uF	25V	X5R	GRM155R61E105KE11D	K22149010		1-	A	D3
C 2611	AL.ELECTRO.CAP.	100uF	10V		10CE100GA	K48100016		1-	A	E4
C 2612	CHIP CAP.	0.1uF	50V	X7R	GRM155R71H104KE14D	K22178872		1-	A	D5
C 2613	AL.ELECTRO.CAP.	100uF	10V		10CE100GA	K48100016		1-	A	D4
C 2614	CHIP TA.CAP.	10uF	16V		TMCMA1C106MTRF	K78120077		1-	A	E4
C 2615	CHIP CAP.	1uF	25V	X5R	GRM155R61E105KE11D	K22149010		1-	A	E4
C 2616	CHIP CAP.	0.1uF	50V	X7R	GRM155R71H104KE14D	K22178872		1-	A	F1
C 2617	CHIP CAP.	0.01uF	50V	X7R	GRM155R71H103KA88D	K22178848		1-	A	E4
C 2618	CHIP CAP.	0.01uF	50V	X7R	GRM155R71H103KA88D	K22178848		1-	A	F1
C 2619	CHIP CAP.	0.01uF	50V	X7R	GRM155R71H103KA88D	K22178848		1-	A	E3
C 2620	CHIP CAP.	15pF	50V	CH	GRM1552C1H150JA01D	K22178216		1-	A	F2
C 2621	CHIP TA.CAP.	10uF	16V		TMCMA1C106MTRF	K78120077		1-	A	F1
C 2622	CHIP CAP.	0.1uF	50V	X7R	GRM155R71H104KE14D	K22178872		1-	B	d4
C 2623	AL.ELECTRO.CAP.	100uF	10V		10CE100GA	K48100016		1-	A	D6
C 2624	CHIP CAP.	0.22uF	25V	X5R	GRM155R61E224KE01D	K22149006		1-	B	e7
C 2625	CHIP CAP.	0.22uF	25V	X5R	GRM155R61E224KE01D	K22149006		1-	A	D4
C 2626	CHIP CAP.	0.22uF	25V	X5R	GRM155R61E224KE01D	K22149006		1-	B	d4
C 2627	CHIP CAP.	0.22uF	25V	X5R	GRM155R61E224KE01D	K22149006		1-	B	d4
C 2628	CHIP CAP.	0.001uF	50V	B	GRM155B11H102KA01D	K22178809		1-	A	E3
C 2630	CHIP CAP.	1uF	25V	X5R	GRM155R61E105KE11D	K22149010		1-	A	E3
C 2631	CHIP TA.CAP.	10uF	16V		TMCMA1C106MTRF	K78120077		1-	B	c2
C 2632	CHIP CAP.	15pF	50V	CH	GRM1552C1H150JA01D	K22178216		1-	A	F2
C 2633	CHIP CAP.	0.22uF	25V	X5R	GRM155R61E224KE01D	K22149006		1-	A	D4
C 2634	CHIP TA.CAP.	10uF	16V		TMCMA1C106MTRF	K78120077		1-	A	F2
C 2635	CHIP CAP.	0.01uF	50V	X7R	GRM155R71H103KA88D	K22178848		1-	B	c2
C 2636	CHIP CAP.	1uF	25V	X5R	GRM155R61E105KE11D	K22149010		1-	A	E3
C 2637	CHIP CAP.	0.01uF	50V	X7R	GRM155R71H103KA88D	K22178848		1-	A	F2
C 2638	CHIP CAP.	470pF	50V	C0G	GRM1555C1H471JA01D	K22179748		1-	B	f7
C 2639	CHIP TA.CAP.	10uF	16V		TMCMA1C106MTRF	K78120077		1-	A	F2
C 2640	CHIP CAP.	0.22uF	25V	X5R	GRM155R61E224KE01D	K22149006		1-	B	e6
C 2641	CHIP TA.CAP.	10uF	16V		TMCMA1C106MTRF	K78120077		1-	A	F1
C 2642	CHIP CAP.	0.01uF	50V	X7R	GRM155R71H103KA88D	K22178848		1-	A	F2
C 2643	CHIP CAP.	0.01uF	50V	X7R	GRM155R71H103KA88D	K22178848		1-	A	F2
C 2644	CHIP CAP.	0.01uF	50V	X7R	GRM155R71H103KA88D	K22178848		1-	A	D5
C 2645	CHIP CAP.	0.1uF	50V	X7R	GRM155R71H104KE14D	K22178872		1-	A	D5
C 2646	CHIP CAP.	0.1uF	50V	X7R	GRM155R71H104KE14D	K22178872		1-	A	E5
C 2647	CHIP CAP.	1uF	25V	X5R	GRM155R61E105KE11D	K22149010		1-	A	F2
C 2648	CHIP CAP.	1uF	25V	X5R	GRM155R61E105KE11D	K22149010		1-	A	F2
C 2649	CHIP CAP.	0.0047uF	50V	B	GRM155B11H472KA01D	K22178838		1-	B	f7
C 2652	CHIP CAP.	0.1uF	50V	X7R	GRM155R71H104KE14D	K22178872		1-	B	e7
C 2654	CHIP CAP.	0.001uF	50V	B	GRM155B11H102KA01D	K22178809		1-	B	f7
C 2655	CHIP CAP.	0.022uF	16V	B	GRM155B11C223KA01D	K22128806		1-	A	F2
C 2657	AL.ELECTRO.CAP.	1000uF	25V		25CE1000BS	K48140025		1-	A	D7
C 2659	CHIP CAP.	0.01uF	50V	X7R	GRM155R71H103KA88D	K22178848		1-	A	D6
C 2660	CHIP CAP.	0.0022uF	50V	B	GRM155B11H222KA01D	K22178813		1-	A	F2
C 2661	CHIP CAP.	0.0018uF	50V	C0G	GRM1555C1H182JA01D	K22179762		1-	A	F2
C 2662	CHIP CAP.	0.012uF	50V	X7R	GRM155R71H123KA12D	K22178850		1-	A	E2
C 2663	AL.ELECTRO.CAP.	220uF	10V		EEE1AA221XP	K48100007		1-	A	D7
C 2665	CHIP CAP.	0.1uF	50V	X7R	GRM155R71H104KE14D	K22178872		1-	B	e7
C 2666	AL.ELECTRO.CAP.	47uF	16V		EEE1CA470SP	K48120005		1-	A	E5
C 2667	CHIP CAP.	1uF	25V	X5R	GRM155R61E105KE11D	K22149010		1-	A	G1
C 2670	AL.ELECTRO.CAP.	470uF	16V		16CE470BS	K48120035		1-	A	C7
C 2675	CHIP CAP.	0.01uF	50V	X7R	GRM155R71H103KA88D	K22178848		1-	A	E5
C 2676	CHIP CAP.	0.1uF	50V	X7R	GRM155R71H104KE14D	K22178872		1-	A	C7
C 2678	CHIP CAP.	10uF	25V	B	GRM188R61E106MA73D	K22144818		1-	A	E2

MAIN Unit Parts List

REF	DESCRIPTION	VALUE	V/W	TOL.	MFR'S DESIG	YAESU P/N	VERS.	LOT	SIDE	LAY ADR
C 2679	CHIP CAP.	1uF	25V	X5R	GRM155R61E105KE11D	K22149010		1-	A	G1
C 2680	CHIP CAP.	0.068uF	16V	B	GRM155B31C683KA87D	K22128815		1-	A	F2
C 2681	CHIP CAP.	0.0047uF	50V	B	GRM155B11H472KA01D	K22178838		1-	A	F2
C 2682	CHIP CAP.	0.0056uF	50V	X7R	GRM155R71H562KA88D	K22178842		1-	A	F2
C 2683	CHIP CAP.	470pF	50V	B	GRM155B11H471KA01D	K22178805		1-	A	E2
C 2684	AL.ELECTRO.CAP.	47uF	16V		EEE1CA470SP	K48120005		1-	A	E2
C 2685	CHIP CAP.	0.01uF	50V	X7R	GRM155R71H103KA88D	K22178848		1-	A	E6
C 2686	CHIP CAP.	0.01uF	50V	X7R	GRM155R71H103KA88D	K22178848		1-	A	E6
C 2688	CHIP CAP.	10uF	25V	B	GRM188R61E106MA73D	K22144818		1-	A	F2
C 2689	AL.ELECTRO.CAP.	470uF	16V		16CE470BS	K48120035		1-	A	D6
C 2691	CHIP CAP.	1uF	25V	X5R	GRM155R61E105KE11D	K22149010		1-	A	E5
C 2692	CHIP CAP.	0.01uF	50V	X7R	GRM155R71H103KA88D	K22178848		1-	A	E2
C 2693	CHIP CAP.	0.1uF	50V	X7R	GRM155R71H104KE14D	K22178872		1-	A	D6
C 2694	AL.ELECTRO.CAP.	10uF	25V		EEEHA1E100R	K48140009		1-	A	D6
C 2696	CHIP CAP.	1uF	25V	X5R	GRM155R61E105KE11D	K22149010		1-	A	F2
C 2697	CHIP CAP.	0.1uF	50V	X7R	GRM155R71H104KE14D	K22178872		1-	A	E5
C 2698	CHIP CAP.	1uF	25V	X5R	GRM155R61E105KE11D	K22149010		1-	A	E2
C 2699	AL.ELECTRO.CAP.	100uF	16V		EEE1CA101WP	K48120012		1-	A	D6
C 2700	CHIP CAP.	0.01uF	50V	X7R	GRM155R71H103KA88D	K22178848		1-	A	D7
C 2703	CHIP CAP.	0.1uF	50V	X7R	GRM155R71H104KE14D	K22178872		1-	A	E5
C 2704	AL.ELECTRO.CAP.	220uF	16V		HV221M016E077ETR	K48120041		1-	A	D4
C 2709	CHIP CAP.	0.1uF	50V	X7R	GRM155R71H104KE14D	K22178872		1-	A	E5
C 2710	CHIP CAP.	4.7uF	25V	B	GRM21BB31E475KA75L	K22140832		1-	A	D5
C 2711	AL.ELECTRO.CAP.	47uF	16V		EEE1CA470SP	K48120005		1-	A	D6
C 2713	CHIP CAP.	1uF	25V	X5R	GRM155R61E105KE11D	K22149010		1-	A	E5
C 2714	CHIP CAP.	0.001uF	50V	B	GRM155B11H102KA01D	K22178809		1-	A	D4
C 2715	CHIP CAP.	0.01uF	50V	X7R	GRM155R71H103KA88D	K22178848		1-	A	E4
C 2716	CHIP CAP.	0.1uF	50V	X7R	GRM155R71H104KE14D	K22178872		1-	A	D4
C 2717	CHIP CAP.	0.1uF	50V	X7R	GRM155R71H104KE14D	K22178872		1-	A	E5
C 2718	CHIP CAP.	10uF	25V	B	GRM188R61E106MA73D	K22144818		1-	A	D4
C 2720	CHIP CAP.	0.1uF	50V	X7R	GRM155R71H104KE14D	K22178872		1-	A	E5
C 2721	CHIP CAP.	22pF	50V	CH	GRM1552C1H220JA01D	K22178220		1-	A	E5
C 2722	AL.ELECTRO.CAP.	47uF	16V		EEE1CA470SP	K48120005		1-	A	D5
C 2723	CHIP CAP.	0.1uF	50V	X7R	GRM155R71H104KE14D	K22178872		1-	A	D5
C 2725	CHIP TA.CAP.	10uF	16V		TMCMA1C106MTRF	K78120077		1-	A	E4
C 2726	AL.ELECTRO.CAP.	100uF	16V		EEE1CA101WP	K48120012		1-	A	D4
C 2727	CHIP CAP.	0.01uF	50V	X7R	GRM155R71H103KA88D	K22178848		1-	A	D5
C 2729	CHIP CAP.	0.01uF	50V	X7R	GRM155R71H103KA88D	K22178848		1-	A	D5
C 2731	CHIP TA.CAP.	47uF	16V		TAJCA476M016RNJ	K78120125		1-	A	E5
C 2732	AL.ELECTRO.CAP.	100uF	16V		EEE1CA101WP	K48120012		1-	A	D4
C 2733	CHIP CAP.	0.1uF	50V	X7R	GRM155R71H104KE14D	K22178872		1-	A	E4
C 2735	CHIP CAP.	0.1uF	50V	X7R	GRM155R71H104KE14D	K22178872		1-	A	E5
C 2736	CHIP CAP.	0.001uF	50V	B	GRM155B11H102KA01D	K22178809		1-	A	E4
C 2737	AL.ELECTRO.CAP.	47uF	16V		EEE1CA470WR	K48120025		1-	A	D5
C 2738	CHIP CAP.	1uF	25V	X5R	GRM155R61E105KE11D	K22149010		1-	A	E5
C 2743	CHIP CAP.	100pF	50V	CH	GRM1552C1H101JA01D	K22178236		1-	A	B1
C 2744	CHIP CAP.	100pF	50V	CH	GRM1552C1H101JA01D	K22178236		1-	A	B1
C 2745	CHIP CAP.	100pF	50V	CH	GRM1552C1H101JA01D	K22178236		1-	B	b1
C 2746	CHIP CAP.	100pF	50V	CH	GRM1552C1H101JA01D	K22178236		1-	B	b1
C 2747	CHIP CAP.	100pF	50V	CH	GRM1552C1H101JA01D	K22178236		1-	B	b1
C 2748	CHIP CAP.	100pF	50V	CH	GRM1552C1H101JA01D	K22178236		1-	B	b1
C 2750	CHIP CAP.	0.001uF	50V	B	GRM155B11H102KA01D	K22178809		1-	B	b1
C 2751	CHIP CAP.	0.001uF	50V	B	GRM155B11H102KA01D	K22178809		1-	B	d5
C 2752	CHIP CAP.	0.001uF	50V	B	GRM155B11H102KA01D	K22178809		1-	B	b2
C 2761	CHIP CAP.	0.001uF	50V	B	GRM155B11H102KA01D	K22178809		1-	A	E3
C 2763	CHIP CAP.	100pF	50V	CH	GRM1552C1H101JA01D	K22178236		1-	A	D6
C 2774	CHIP CAP.	0.01uF	50V	X7R	GRM155R71H103KA88D	K22178848		1-	A	E5
C 2776	CHIP CAP.	0.1uF	50V	X7R	GRM155R71H104KE14D	K22178872		1-	A	E4
C 2781	CHIP CAP.	0.1uF	50V	X7R	GRM155R71H104KE14D	K22178872		1-	B	d5
C 2782	CHIP CAP.	0.0047uF	50V	B	GRM155B11H472KA01D	K22178838		1-	A	E5
C 2784	CHIP CAP.	0.001uF	50V	B	GRM155B11H102KA01D	K22178809		1-	B	e5
C 2785	CHIP CAP.	0.001uF	50V	B	GRM155B11H102KA01D	K22178809		1-	B	b1
C 2787	CHIP CAP.	0.0047uF	50V	B	GRM155B11H472KA01D	K22178838		1-	A	E5
C 2788	CHIP CAP.	0.001uF	50V	B	GRM155B11H102KA01D	K22178809		1-	A	E5
C 2789	CHIP CAP.	0.001uF	50V	B	GRM155B11H102KA01D	K22178809		1-	A	E5
C 2790	CHIP CAP.	0.22uF	25V	X5R	GRM155R61E224KE01D	K22149006		1-	A	E3
C 2791	AL.ELECTRO.CAP.	100uF	10V		10CE100GA	K48100016		1-	A	E4
C 2792	CHIP CAP.	0.1uF	50V	X7R	GRM155R71H104KE14D	K22178872		1-	A	F1
C 2793	CHIP CAP.	0.01uF	50V	X7R	GRM155R71H103KA88D	K22178848		1-	A	E3
C 2794	CHIP CAP.	0.001uF	50V	B	GRM155B11H102KA01D	K22178809		1-	A	F1
C 2795	CHIP CAP.	1uF	16V	B	GRM155B31C105KA12D	K22128817		1-	B	d4
C 2796	CHIP CAP.	0.001uF	50V	B	GRM155B11H102KA01D	K22178809		1-	A	F4
C 2797	CHIP CAP.	0.1uF	50V	X7R	GRM155R71H104KE14D	K22178872		1-	A	F4
C 2798	CHIP CAP.	10uF	25V	B	GRM188R61E106MA73D	K22144818		1-	A	F4
C 2799	CHIP CAP.	0.01uF	50V	X7R	GRM155R71H103KA88D	K22178848		1-	A	F2

MAIN Unit Parts List

REF	DESCRIPTION	VALUE	V/W	TOL.	MFR'S DESIG	YAESU P/N	VERS.	LOT	SIDE	LAY ADR
C 2800	CHIP CAP.	100pF	50V	CH	GRM1552C1H101JA01D	K22178236		1-	A	F2
C 2801	CHIP TA.CAP.	10uF	16V		TMCMA1C106MTRF	K78120077		1-	A	F2
C 3001	CHIP CAP.	0.1uF	50V	X7R	GRM155R71H104KE14D	K22178872		1-	A	C2
C 3002	CHIP CAP.	0.1uF	50V	X7R	GRM155R71H104KE14D	K22178872		1-	B	e2
C 3003	CHIP CAP.	0.1uF	50V	X7R	GRM155R71H104KE14D	K22178872		1-	B	e2
C 3004	CHIP CAP.	0.1uF	50V	X7R	GRM155R71H104KE14D	K22178872		1-	B	d2
C 3005	CHIP CAP.	0.1uF	50V	X7R	GRM155R71H104KE14D	K22178872		1-	A	B2
C 3006	CHIP CAP.	0.1uF	50V	X7R	GRM155R71H104KE14D	K22178872		1-	A	B2
C 3007	CHIP CAP.	0.1uF	50V	X7R	GRM155R71H104KE14D	K22178872		1-	A	B2
C 3008	CHIP CAP.	0.1uF	50V	X7R	GRM155R71H104KE14D	K22178872		1-	A	B2
C 3009	CHIP CAP.	0.1uF	50V	X7R	GRM155R71H104KE14D	K22178872		1-	A	C2
C 3010	CHIP CAP.	0.1uF	50V	X7R	GRM155R71H104KE14D	K22178872		1-	A	C2
C 3011	CHIP CAP.	0.1uF	50V	X7R	GRM155R71H104KE14D	K22178872		1-	A	C2
C 3012	CHIP CAP.	22pF	50V	CH	GRM1552C1H220JA01D	K22178220		1-	A	D2
C 3014	CHIP CAP.	0.1uF	50V	X7R	GRM155R71H104KE14D	K22178872		1-	A	A2
C 3015	CHIP CAP.	33pF	50V	CH	GRM1552C1H330JA01D	K22178224		1-	A	D2
C 3016	CHIP CAP.	68pF	50V	CH	GRM1552C1H680JA01D	K22178232		1-	A	D2
C 3017	CHIP CAP.	18pF	50V	CH	GRM1552C1H180JA01D	K22178218		1-	A	E2
C 3018	CHIP CAP.	0.1uF	50V	X7R	GRM155R71H104KE14D	K22178872		1-	A	E2
C 3020	CHIP CAP.	56pF	50V	CH	GRM1552C1H560JA01D	K22178230		1-	A	D2
C 3021	CHIP CAP.	15pF	50V	CH	GRM1552C1H150JA01D	K22178216		1-	A	D2
C 3022	CHIP CAP.	100pF	50V	CH	GRM1552C1H101JA01D	K22178236		1-	A	D2
C 3023	CHIP CAP.	39pF	50V	CH	GRM1552C1H390JA01D	K22178226		1-	A	D2
C 3024	CHIP CAP.	100pF	50V	CH	GRM1552C1H101JA01D	K22178236		1-	A	E2
C 3025	CHIP CAP.	560pF	50V	C0G	GRM1555C1H561JA01D	K22179750		1-	A	B2
C 3026	CHIP CAP.	390pF	50V	C0G	GRM1555C1H391JA01D	K22179746		1-	A	B2
C 3029	CHIP CAP.	270pF	50V	CH	GRM1552C1H271JA01D	K22179715		1-	A	B2
C 3030	CHIP CAP.	220pF	50V	CH	GRM1552C1H221JA01D	K22179713		1-	A	C2
C 3031	CHIP CAP.	180pF	50V	CH	GRM1552C1H181JA01D	K22179711		1-	A	C2
C 3032	CHIP CAP.	150pF	50V	CH	GRM1552C1H151JA01D	K22178240		1-	A	C2
C 3033	CHIP CAP.	100pF	50V	CH	GRM1552C1H101JA01D	K22178236		1-	A	C2
C 3034	CHIP CAP.	22pF	50V	CH	GRM1552C1H220JA01D	K22178220		1-	A	D2
C 3036	CHIP CAP.	0.01uF	50V	X7R	GRM155R71H103KA88D	K22178848		1-	A	E2
C 3042	CHIP CAP.	100pF	50V	CH	GRM1552C1H101JA01D	K22178236		1-	A	D2
C 3043	CHIP CAP.	68pF	50V	CH	GRM1552C1H680JA01D	K22178232		1-	A	D2
C 3044	CHIP CAP.	15pF	50V	CH	GRM1552C1H150JA01D	K22178216		1-	A	E2
C 3045	CHIP CAP.	0.001uF	50V	B	GRM155B11H102KA01D	K22178809		1-	A	E2
C 3046	CHIP CAP.	560pF	50V	C0G	GRM1555C1H561JA01D	K22179750		1-	A	B2
C 3047	CHIP CAP.	390pF	50V	C0G	GRM1555C1H391JA01D	K22179746		1-	A	B2
C 3048	CHIP CAP.	0.01uF	50V	X7R	GRM155R71H103KA88D	K22178848		1-	B	h2
C 3049	CHIP CAP.	0.1uF	50V	X7R	GRM155R71H104KE14D	K22178872		1-	A	D2
C 3050	CHIP CAP.	0.01uF	50V	X7R	GRM155R71H103KA88D	K22178848		1-	A	B2
C 3051	CHIP CAP.	0.01uF	50V	X7R	GRM155R71H103KA88D	K22178848		1-	A	B2
C 3052	CHIP CAP.	270pF	50V	CH	GRM1552C1H271JA01D	K22179715		1-	A	B2
C 3053	CHIP CAP.	220pF	50V	CH	GRM1552C1H221JA01D	K22179713		1-	A	C2
C 3054	CHIP CAP.	180pF	50V	CH	GRM1552C1H181JA01D	K22179711		1-	A	C2
C 3055	CHIP CAP.	150pF	50V	CH	GRM1552C1H151JA01D	K22178240		1-	A	C2
C 3056	CHIP CAP.	100pF	50V	CH	GRM1552C1H101JA01D	K22178236		1-	A	C2
C 3057	CHIP CAP.	0.1uF	50V	X7R	GRM155R71H104KE14D	K22178872		1-	A	D2
C 3058	CHIP CAP.	0.001uF	50V	B	GRM155B11H102KA01D	K22178809		1-	A	D2
C 3059	CHIP CAP.	0.001uF	50V	B	GRM155B11H102KA01D	K22178809		1-	A	A2
C 3060	CHIP CAP.	0.1uF	50V	X7R	GRM155R71H104KE14D	K22178872		1-	B	h2
C 3061	CHIP CAP.	0.1uF	50V	X7R	GRM155R71H104KE14D	K22178872		1-	A	B2
C 3062	CHIP CAP.	0.01uF	50V	X7R	GRM155R71H103KA88D	K22178848		1-	A	A2
C 3063	CHIP CAP.	0.1uF	50V	X7R	GRM155R71H104KE14D	K22178872		1-	A	B2
C 3064	CHIP CAP.	0.01uF	50V	X7R	GRM155R71H103KA88D	K22178848		1-	A	B2
C 3065	CHIP CAP.	0.1uF	50V	X7R	GRM155R71H104KE14D	K22178872		1-	A	B2
C 3066	CHIP CAP.	0.1uF	50V	X7R	GRM155R71H104KE14D	K22178872		1-	A	C2
C 3067	CHIP CAP.	0.1uF	50V	X7R	GRM155R71H104KE14D	K22178872		1-	A	C2
C 3068	CHIP CAP.	0.1uF	50V	X7R	GRM155R71H104KE14D	K22178872		1-	A	C2
C 3069	CHIP CAP.	0.1uF	50V	X7R	GRM155R71H104KE14D	K22178872		1-	A	C2
C 3070	CHIP CAP.	180pF	50V	CH	GRM1552C1H181JA01D	K22179711		1-	A	D2
C 3071	CHIP CAP.	0.01uF	50V	X7R	GRM155R71H103KA88D	K22178848		1-	A	D2
C 3072	CHIP CAP.	56pF	50V	CH	GRM1552C1H560JA01D	K22178230		1-	A	D2
C 3073	CHIP CAP.	0.01uF	50V	X7R	GRM155R71H103KA88D	K22178848		1-	A	D2
C 3074	CHIP CAP.	12pF	50V	CH	GRM1552C1H120JA01D	K22178214		1-	A	E2
C 3075	CHIP CAP.	0.01uF	50V	X7R	GRM155R71H103KA88D	K22178848		1-	A	D2
C 3076	CHIP CAP.	0.01uF	50V	X7R	GRM155R71H103KA88D	K22178848		1-	A	A2
C 3077	CHIP CAP.	10uF	25V	B	GRM188R61E106MA73D	K22144818		1-	B	h2
C 3078	CHIP CAP.	1uF	25V	X5R	GRM155R61E105KE11D	K22149010		1-	A	B2
C 3079	CHIP CAP.	0.1uF	50V	X7R	GRM155R71H104KE14D	K22178872		1-	A	A2
C 3080	CHIP CAP.	1uF	25V	X5R	GRM155R61E105KE11D	K22149010		1-	A	B2
C 3081	CHIP CAP.	0.1uF	50V	X7R	GRM155R71H104KE14D	K22178872		1-	A	B2
C 3082	CHIP CAP.	0.01uF	50V	X7R	GRM155R71H103KA88D	K22178848		1-	A	B2
C 3083	CHIP CAP.	0.01uF	50V	X7R	GRM155R71H103KA88D	K22178848		1-	A	C2

MAIN Unit Parts List

REF	DESCRIPTION	VALUE	V/W	TOL.	MFR'S DESIG	YAESU P/N	VERS.	LOT	SIDE	LAY ADR
C 3084	CHIP CAP.	0.01uF	50V	X7R	GRM155R71H103KA88D	K22178848		1-	A	C2
C 3085	CHIP CAP.	0.01uF	50V	X7R	GRM155R71H103KA88D	K22178848		1-	A	C2
C 3086	CHIP CAP.	0.01uF	50V	X7R	GRM155R71H103KA88D	K22178848		1-	A	C2
C 3087	CHIP CAP.	33pF	50V	CH	GRM1552C1H330JA01D	K22178224		1-	A	D2
C 3089	CHIP CAP.	0.1uF	50V	X7R	GRM155R71H104KE14D	K22178872		1-	A	D2
C 3090	CHIP CAP.	47pF	50V	CH	GRM1552C1H470JA01D	K22178228		1-	A	E2
C 3091	CHIP CAP.	0.1uF	50V	X7R	GRM155R71H104KE14D	K22178872		1-	A	D2
C 3092	CHIP CAP.	0.1uF	50V	X7R	GRM155R71H104KE14D	K22178872		1-	A	A2
C 3093	CHIP CAP.	0.01uF	50V	X7R	GRM155R71H103KA88D	K22178848		1-	A	A1
C 3094	CHIP CAP.	1uF	25V	X5R	GRM155R61E105KE11D	K22149010		1-	A	A2
C 3095	CHIP CAP.	1uF	25V	X5R	GRM155R61E105KE11D	K22149010		1-	A	B2
C 3096	CHIP CAP.	330pF	50V	C0G	GRM1555C1H331JA01D	K22179744		1-	A	C2
C 3097	CHIP CAP.	470pF	50V	C0G	GRM1555C1H471JA01D	K22179748		1-	A	C2
C 3098	CHIP CAP.	560pF	50V	C0G	GRM1555C1H561JA01D	K22179750		1-	A	C2
C 3099	CHIP CAP.	0.01uF	50V	X7R	GRM155R71H103KA88D	K22178848		1-	A	A2
C 3100	CHIP CAP.	0.0015uF	50V	C0G	GRM1555C1H152JA01D	K22179760		1-	A	B2
C 3101	CHIP CAP.	0.001uF	50V	C0G	GRM1555C1H102JA01D	K22179756		1-	A	B2
C 3102	CHIP CAP.	470pF	50V	C0G	GRM1555C1H471JA01D	K22179748		1-	A	B2
C 3103	CHIP CAP.	470pF	50V	C0G	GRM1555C1H471JA01D	K22179748		1-	A	C2
C 3104	CHIP CAP.	0.001uF	50V	B	GRM155B11H102KA01D	K22178809		1-	A	D2
C 3106	CHIP CAP.	0.001uF	50V	C0G	GRM1555C1H102JA01D	K22179756		1-	A	A2
C 3107	CHIP CAP.	820pF	50V	C0G	GRM1555C1H821JA01D	K22179754		1-	A	B2
C 3108	CHIP CAP.	27pF	50V	CH	GRM1552C1H270JA01D	K22178222		1-	A	C2
C 3109	CHIP CAP.	47pF	50V	CH	GRM1552C1H470JA01D	K22178228		1-	A	C2
C 3110	CHIP CAP.	15pF	50V	CH	GRM1552C1H150JA01D	K22178216		1-	A	C2
C 3111	CHIP CAP.	2pF	50V	CK	GRM1554C1H2R0CA01D	K22178204		1-	A	D2
C 3112	CHIP CAP.	39pF	50V	CH	GRM1552C1H390JA01D	K22178226		1-	A	D2
C 3113	CHIP CAP.	1.5pF	50V	CK	GRM1554C1H1R5CA01D	K22178203		1-	A	D2
C 3114	CHIP CAP.	15pF	50V	CH	GRM1552C1H150JA01D	K22178216		1-	A	D2
C 3116	CHIP CAP.	15pF	50V	CH	GRM1552C1H150JA01D	K22178216		1-	A	E2
C 3117	CHIP CAP.	0.1uF	50V	X7R	GRM155R71H104KE14D	K22178872		1-	A	A2
C 3119	CHIP CAP.	82pF	50V	CH	GRM1552C1H820JA01D	K22178234		1-	A	B2
C 3120	CHIP CAP.	47pF	50V	CH	GRM1552C1H470JA01D	K22178228		1-	A	B2
C 3121	CHIP CAP.	10pF	50V	CH	GRM1552C1H100JA01D	K22178212		1-	A	C2
C 3122	CHIP CAP.	100pF	50V	CH	GRM1552C1H101JA01D	K22178236		1-	A	D2
C 3123	CHIP CAP.	180pF	50V	CH	GRM1552C1H181JA01D	K22179711		1-	A	E2
C 3124	CHIP CAP.	150pF	50V	CH	GRM1552C1H151JA01D	K22178240		1-	A	A2
C 3125	CHIP CAP.	18pF	50V	CH	GRM1552C1H180JA01D	K22178218		1-	A	B2
C 3126	CHIP CAP.	0.001uF	50V	B	GRM155B11H102KA01D	K22178809		1-	A	E3
C 3127	CHIP CAP.	1uF	25V	X5R	GRM155R61E105KE11D	K22149010		1-	A	A2
C 3130	CHIP CAP.	15pF	50V	CH	GRM1552C1H150JA01D	K22178216		1-	A	E2
C 3131	CHIP CAP.	0.01uF	50V	X7R	GRM155R71H103KA88D	K22178848		1-	A	E3
C 3132	CHIP CAP.	4pF	50V	CH	GRM1552C1H4R0CA01D	K22178206		1-	A	C2
C 3133	CHIP CAP.	47pF	50V	CH	GRM1552C1H470JA01D	K22178228		1-	A	C2
C 3135	CHIP CAP.	47pF	50V	CH	GRM1552C1H470JA01D	K22178228		1-	A	C2
C 3137	CHIP CAP.	33pF	50V	CH	GRM1552C1H330JA01D	K22178224		1-	A	C2
C 3138	CHIP CAP.	390pF	50V	C0G	GRM1555C1H391JA01D	K22179746		1-	A	D2
C 3139	CHIP CAP.	150pF	50V	CH	GRM1552C1H151JA01D	K22178240		1-	A	D2
C 3140	CHIP CAP.	0.0018uF	50V	C0G	GRM1555C1H182JA01D	K22179762		1-	A	A2
C 3142	CHIP CAP.	0.0015uF	50V	C0G	GRM1555C1H152JA01D	K22179760		1-	A	B2
C 3143	CHIP CAP.	18pF	50V	CH	GRM1552C1H180JA01D	K22178218		1-	A	B2
C 3144	CHIP CAP.	220pF	50V	CH	GRM1552C1H221JA01D	K22179713		1-	A	B2
C 3145	CHIP CAP.	15pF	50V	CH	GRM1552C1H150JA01D	K22178216		1-	A	B2
C 3146	CHIP CAP.	120pF	50V	CH	GRM1552C1H121JA01D	K22178238		1-	A	B2
C 3148	CHIP CAP.	100pF	50V	CH	GRM1552C1H101JA01D	K22178236		1-	A	C2
C 3149	CHIP CAP.	0.1uF	50V	X7R	GRM155R71H104KE14D	K22178872		1-	A	E3
C 3150	CHIP CAP.	68pF	50V	CH	GRM1552C1H680JA01D	K22178232		1-	A	D2
C 3151	CHIP CAP.	68pF	50V	CH	GRM1552C1H680JA01D	K22178232		1-	A	D2
C 3152	CHIP CAP.	220pF	50V	CH	GRM1552C1H221JA01D	K22179713		1-	A	A2
C 3153	CHIP CAP.	2pF	50V	CK	GRM1554C1H2R0CA01D	K22178204		1-	A	D2
C 3154	CHIP CAP.	39pF	50V	CH	GRM1552C1H390JA01D	K22178226		1-	A	D2
C 3155	CHIP CAP.	1.5pF	50V	CK	GRM1554C1H1R5CA01D	K22178203		1-	A	D2
C 3156	CHIP CAP.	15pF	50V	CH	GRM1552C1H150JA01D	K22178216		1-	A	D2
C 3158	CHIP CAP.	27pF	50V	CH	GRM1552C1H270JA01D	K22178222		1-	A	E3
C 3159	CHIP CAP.	47pF	50V	CH	GRM1552C1H470JA01D	K22178228		1-	A	E3
C 3160	CHIP CAP.	470pF	50V	C0G	GRM1555C1H471JA01D	K22179748		1-	A	A2
C 3161	CHIP CAP.	82pF	50V	CH	GRM1552C1H820JA01D	K22178234		1-	A	A2
C 3162	CHIP CAP.	27pF	50V	CH	GRM1552C1H270JA01D	K22178222		1-	A	A2
C 3163	CHIP CAP.	220pF	50V	CH	GRM1552C1H221JA01D	K22179713		1-	A	B2
C 3164	CHIP CAP.	1.5pF	50V	CK	GRM1554C1H1R5CA01D	K22178203		1-	A	D3
C 3165	CHIP CAP.	0.1uF	50V	X7R	GRM155R71H104KE14D	K22178872		1-	A	E3
C 3166	CHIP CAP.	0.0015uF	50V	C0G	GRM1555C1H152JA01D	K22179760		1-	A	B3
C 3167	CHIP CAP.	0.0018uF	50V	C0G	GRM1555C1H182JA01D	K22179762		1-	A	B3
C 3168	CHIP CAP.	0.01uF	50V	X7R	GRM155R71H103KA88D	K22178848		1-	B	d3
C 3169	CHIP CAP.	33pF	50V	CH	GRM1552C1H330JA01D	K22178224		1-	A	D3

MAIN Unit Parts List

REF	DESCRIPTION	VALUE	V/W	TOL.	MFR'S DESIG	YAESU P/N	VERS.	LOT	SIDE	LAY ADR
C 3171	CHIP CAP.	12pF	50V	CH	GRM1552C1H120JA01D	K22178214		1-	A	E3
C 3172	CHIP CAP.	0.0082uF	50V	X7R	GRM155R71H822KA88D	K22178846		1-	A	A2
C 3173	CHIP CAP.	15pF	50V	CH	GRM1552C1H150GA01D	K22178300		1-	A	D3
C 3174	CHIP CAP.	0.01uF	50V	X7R	GRM155R71H103KA88D	K22178848		1-	A	E3
C 3175	CHIP CAP.	0.0012uF	50V	C0G	GRM1555C1H122JA01D	K22179758		1-	A	B3
C 3176	CHIP CAP.	0.0015uF	50V	C0G	GRM1555C1H152JA01D	K22179760		1-	A	B3
C 3177	CHIP CAP.	0.0018uF	50V	C0G	GRM1555C1H182JA01D	K22179762		1-	A	B3
C 3178	CHIP CAP.	0.0015uF	50V	C0G	GRM1555C1H152JA01D	K22179760		1-	A	C3
C 3179	CHIP CAP.	820pF	50V	C0G	GRM1555C1H821JA01D	K22179754		1-	A	C3
C 3180	CHIP CAP.	680pF	50V	C0G	GRM1555C1H681JA01D	K22179752		1-	A	C3
C 3181	CHIP CAP.	0.0012uF	50V	C0G	GRM1555C1H122JA01D	K22179758		1-	A	C3
C 3182	CHIP CAP.	10uF	25V	B	GRM188R61E106MA73D	K22144818		1-	B	d3
C 3183	CHIP CAP.	33pF	50V	CH	GRM1552C1H330JA01D	K22178224		1-	A	D3
C 3186	CHIP CAP.	0.001uF	50V	B	GRM155B11H102KA01D	K22178809		1-	A	D3
C 3187	CHIP CAP.	0.001uF	50V	C0G	GRM1555C1H102JA01D	K22179756		1-	A	E3
C 3188	CHIP CAP.	270pF	50V	CH	GRM1552C1H271JA01D	K22179715		1-	A	B3
C 3189	CHIP CAP.	680pF	50V	C0G	GRM1555C1H681JA01D	K22179752		1-	A	B3
C 3190	CHIP CAP.	150pF	50V	CH	GRM1552C1H151JA01D	K22178240		1-	A	B3
C 3192	CHIP CAP.	100pF	50V	CH	GRM1552C1H101JA01D	K22178236		1-	A	C3
C 3193	CHIP CAP.	100pF	50V	CH	GRM1552C1H101JA01D	K22178236		1-	A	C3
C 3194	CHIP CAP.	22pF	50V	CH	GRM1552C1H220GA01D	K22179707		1-	A	C3
C 3195	CHIP CAP.	180pF	50V	CH	GRM1552C1H181JA01D	K22179711		1-	A	D3
C 3196	CHIP CAP.	56pF	50V	CH	GRM1552C1H560JA01D	K22178230		1-	A	D3
C 3198	CHIP CAP.	0.0015uF	50V	C0G	GRM1555C1H152JA01D	K22179760		1-	A	B2
C 3199	CHIP CAP.	18pF	50V	CH	GRM1552C1H180JA01D	K22178218		1-	A	B2
C 3200	CHIP CAP.	220pF	50V	CH	GRM1552C1H221JA01D	K22179713		1-	A	B2
C 3201	CHIP CAP.	15pF	50V	CH	GRM1552C1H150JA01D	K22178216		1-	A	B2
C 3202	CHIP CAP.	120pF	50V	CH	GRM1552C1H121JA01D	K22178238		1-	A	B2
C 3204	CHIP CAP.	100pF	50V	CH	GRM1552C1H101JA01D	K22178236		1-	A	C2
C 3205	CHIP CAP.	4pF	50V	CH	GRM1552C1H4R0CA01D	K22178206		1-	A	C2
C 3206	CHIP CAP.	47pF	50V	CH	GRM1552C1H470JA01D	K22178228		1-	A	C2
C 3208	CHIP CAP.	47pF	50V	CH	GRM1552C1H470JA01D	K22178228		1-	A	C2
C 3210	CHIP CAP.	33pF	50V	CH	GRM1552C1H330JA01D	K22178224		1-	A	C2
C 3211	CHIP CAP.	0.01uF	50V	X7R	GRM155R71H103KA88D	K22178848		1-	A	D3
C 3212	CHIP CAP.	0.01uF	50V	X7R	GRM155R71H103KA88D	K22178848		1-	A	D3
C 3213	CHIP CAP.	0.01uF	50V	X7R	GRM155R71H103KA88D	K22178848		1-	A	A1
C 3214	CHIP CAP.	0.001uF	50V	C0G	GRM1555C1H102JA01D	K22179756		1-	A	D3
C 3216	CHIP CAP.	33pF	50V	CH	GRM1552C1H330JA01D	K22178224		1-	A	D3
C 3217	CHIP CAP.	0.1uF	50V	X7R	GRM155R71H104KE14D	K22178872		1-	A	D3
C 3218	CHIP CAP.	0.1uF	50V	X7R	GRM155R71H104KE14D	K22178872		1-	A	D3
C 3219	CHIP CAP.	0.0082uF	50V	X7R	GRM155R71H822KA88D	K22178846		1-	A	A3
C 3220	CHIP CAP.	150pF	50V	CH	GRM1552C1H151JA01D	K22178240		1-	A	A3
C 3221	CHIP CAP.	18pF	50V	CH	GRM1552C1H180JA01D	K22178218		1-	A	B3
C 3223	CHIP CAP.	5pF	50V	CH	GRM1552C1H5R0CA01D	K22178207		1-	A	D3
C 3225	CHIP CAP.	0.001uF	50V	C0G	GRM1555C1H102JA01D	K22179756		1-	A	A3
C 3226	CHIP CAP.	820pF	50V	C0G	GRM1555C1H821JA01D	K22179754		1-	A	B3
C 3227	CHIP CAP.	100pF	50V	CH	GRM1552C1H101JA01D	K22178236		1-	A	D3
C 3228	CHIP CAP.	0.01uF	50V	X7R	GRM155R71H103KA88D	K22178848		1-	B	e3
C 3229	CHIP CAP.	0.01uF	50V	X7R	GRM155R71H103KA88D	K22178848		1-	B	e3
C 3230	CHIP CAP.	0.001uF	50V	B	GRM155B11H102KA01D	K22178809		1-	A	D3
C 3232	CHIP CAP.	82pF	50V	CH	GRM1552C1H820JA01D	K22178234		1-	A	B3
C 3233	CHIP CAP.	47pF	50V	CH	GRM1552C1H470JA01D	K22178228		1-	A	B3
C 3234	CHIP CAP.	10pF	50V	CH	GRM1552C1H100JA01D	K22178212		1-	A	C3
C 3235	CHIP CAP.	27pF	50V	CH	GRM1552C1H270JA01D	K22178222		1-	A	C3
C 3236	CHIP CAP.	47pF	50V	CH	GRM1552C1H470JA01D	K22178228		1-	A	C3
C 3237	CHIP CAP.	15pF	50V	CH	GRM1552C1H150JA01D	K22178216		1-	A	C3
C 3238	CHIP CAP.	1uF	25V	X5R	GRM155R61E105KE11D	K22149010		1-	A	B3
C 3239	CHIP CAP.	1uF	25V	X5R	GRM155R61E105KE11D	K22149010		1-	A	A3
C 3240	CHIP CAP.	1uF	25V	X5R	GRM155R61E105KE11D	K22149010		1-	A	B3
C 3241	CHIP CAP.	1uF	25V	X5R	GRM155R61E105KE11D	K22149010		1-	A	B3
C 3242	CHIP CAP.	0.001uF	50V	B	GRM155B11H102KA01D	K22178809		1-	A	D3
C 3243	CHIP CAP.	10uF	25V	B	GRM188R61E106MA73D	K22144818		1-	B	e3
C 3244	CHIP CAP.	10uF	25V	B	GRM188R61E106MA73D	K22144818		1-	B	e3
C 3245	CHIP CAP.	0.01uF	50V	X7R	GRM155R71H103KA88D	K22178848		1-	A	D3
C 3246	CHIP CAP.	10uF	25V	B	GRM188R61E106MA73D	K22144818		1-	B	g2
C 3247	CHIP CAP.	9pF	50V	CH	GRM1552C1H9R0DA01D	K22178211		1-	A	D3
C 3248	CHIP CAP.	220pF	50V	CH	GRM1552C1H221JA01D	K22179713		1-	A	A3
C 3249	CHIP CAP.	0.0015uF	50V	C0G	GRM1555C1H152JA01D	K22179760		1-	A	B3
C 3250	CHIP CAP.	0.1uF	50V	X7R	GRM155R71H104KE14D	K22178872		1-	A	B3
C 3251	CHIP CAP.	0.1uF	50V	X7R	GRM155R71H104KE14D	K22178872		1-	A	A3
C 3252	CHIP CAP.	0.001uF	50V	C0G	GRM1555C1H102JA01D	K22179756		1-	A	B3
C 3253	CHIP CAP.	0.1uF	50V	X7R	GRM155R71H104KE14D	K22178872		1-	A	B3
C 3254	CHIP CAP.	0.1uF	50V	X7R	GRM155R71H104KE14D	K22178872		1-	A	B3
C 3255	CHIP CAP.	470pF	50V	C0G	GRM1555C1H471JA01D	K22179748		1-	A	B3
C 3256	CHIP CAP.	0.01uF	50V	X7R	GRM155R71H103KA88D	K22178848		1-	A	B3

MAIN Unit Parts List

REF	DESCRIPTION	VALUE	V/W	TOL.	MFR'S DESIG	YAESU P/N	VERS.	LOT	SIDE	LAY ADR
C 3257	CHIP CAP.	470pF	50V	C0G	GRM1555C1H471JA01D	K22179748		1-	A	C3
C 3258	CHIP CAP.	0.01uF	50V	X7R	GRM155R71H103KA88D	K22178848		1-	A	C3
C 3259	CHIP CAP.	330pF	50V	C0G	GRM1555C1H331JA01D	K22179744		1-	A	C3
C 3260	CHIP CAP.	0.01uF	50V	X7R	GRM155R71H103KA88D	K22178848		1-	A	C3
C 3261	CHIP CAP.	470pF	50V	C0G	GRM1555C1H471JA01D	K22179748		1-	A	C3
C 3262	CHIP CAP.	0.01uF	50V	X7R	GRM155R71H103KA88D	K22178848		1-	A	C3
C 3263	CHIP CAP.	560pF	50V	C0G	GRM1555C1H561JA01D	K22179750		1-	A	C3
C 3264	CHIP CAP.	0.01uF	50V	X7R	GRM155R71H103KA88D	K22178848		1-	A	C3
C 3265	CHIP CAP.	0.1uF	50V	X7R	GRM155R71H104KE14D	K22178872		1-	A	D3
C 3266	CHIP CAP.	1uF	25V	X5R	GRM155R61E105KE11D	K22149010		1-	B	g2
C 3267	CHIP CAP.	0.0018uF	50V	C0G	GRM1555C1H182JA01D	K22179762		1-	A	A3
C 3268	CHIP CAP.	0.01uF	50V	X7R	GRM155R71H103KA88D	K22178848		1-	A	B3
C 3269	CHIP CAP.	0.01uF	50V	X7R	GRM155R71H103KA88D	K22178848		1-	A	A3
C 3270	CHIP CAP.	0.01uF	50V	X7R	GRM155R71H103KA88D	K22178848		1-	A	B3
C 3271	CHIP CAP.	0.01uF	50V	X7R	GRM155R71H103KA88D	K22178848		1-	A	B3
C 3272	CHIP CAP.	0.1uF	50V	X7R	GRM155R71H104KE14D	K22178872		1-	A	B3
C 3273	CHIP CAP.	0.1uF	50V	X7R	GRM155R71H104KE14D	K22178872		1-	A	C3
C 3274	CHIP CAP.	0.1uF	50V	X7R	GRM155R71H104KE14D	K22178872		1-	A	C3
C 3275	CHIP CAP.	0.1uF	50V	X7R	GRM155R71H104KE14D	K22178872		1-	A	C3
C 3276	CHIP CAP.	0.1uF	50V	X7R	GRM155R71H104KE14D	K22178872		1-	A	C3
C 3277	CHIP CAP.	0.01uF	50V	X7R	GRM155R71H103KA88D	K22178848		1-	A	D3
C 3278	CHIP CAP.	0.001uF	50V	C0G	GRM1555C1H102JA01D	K22179756		1-	A	D3
C 3279	CHIP CAP.	0.1uF	50V	X7R	GRM155R71H104KE14D	K22178872		1-	B	g2
C 3280	CHIP CAP.	0.001uF	50V	B	GRM155B11H102KA01D	K22178809		1-	B	e3
C 3281	CHIP CAP.	330pF	50V	C0G	GRM1555C1H331JA01D	K22179744		1-	A	D3
C 3282	CHIP CAP.	0.1uF	50V	X7R	GRM155R71H104KE14D	K22178872		1-	A	D3
C 3283	CHIP CAP.	0.01uF	50V	X7R	GRM155R71H103KA88D	K22178848		1-	B	g2
C 3284	CHIP CAP.	0.01uF	50V	X7R	GRM155R71H103KA88D	K22178848		1-	B	e3
C 3285	CHIP CAP.	0.001uF	50V	B	GRM155B11H102KA01D	K22178809		1-	A	D3
C 3286	CHIP CAP.	0.01uF	50V	X7R	GRM155R71H103KA88D	K22178848		1-	A	B3
C 3287	CHIP CAP.	0.01uF	50V	X7R	GRM155R71H103KA88D	K22178848		1-	A	A2
C 3288	CHIP CAP.	0.01uF	50V	X7R	GRM155R71H103KA88D	K22178848		1-	A	B3
C 3289	CHIP CAP.	0.01uF	50V	X7R	GRM155R71H103KA88D	K22178848		1-	A	B2
C 3290	CHIP CAP.	0.01uF	50V	X7R	GRM155R71H103KA88D	K22178848		1-	A	B3
C 3291	CHIP CAP.	0.01uF	50V	X7R	GRM155R71H103KA88D	K22178848		1-	A	C3
C 3292	CHIP CAP.	0.01uF	50V	X7R	GRM155R71H103KA88D	K22178848		1-	A	C3
C 3293	CHIP CAP.	0.01uF	50V	X7R	GRM155R71H103KA88D	K22178848		1-	A	C3
C 3294	CHIP CAP.	0.01uF	50V	X7R	GRM155R71H103KA88D	K22178848		1-	A	C3
C 3295	CHIP CAP.	0.01uF	50V	X7R	GRM155R71H103KA88D	K22178848		1-	A	D3
C 3296	CHIP CAP.	0.001uF	50V	B	GRM155B11H102KA01D	K22178809		1-	B	g2
C 3297	CHIP CAP.	0.1uF	50V	X7R	GRM155R71H104KE14D	K22178872		1-	B	e3
C 3298	CHIP CAP.	0.1uF	50V	X7R	GRM155R71H104KE14D	K22178872		1-	A	D3
C 3299	CHIP CAP.	0.01uF	50V	X7R	GRM155R71H103KA88D	K22178848		1-	B	e3
C 3300	CHIP CAP.	0.1uF	50V	X7R	GRM155R71H104KE14D	K22178872		1-	A	D3
C 3301	CHIP CAP.	10uF	25V	B	GRM188R61E106MA73D	K22144818		1-	A	B3
C 3302	CHIP CAP.	10uF	25V	B	GRM188R61E106MA73D	K22144818		1-	A	A2
C 3303	CHIP CAP.	10uF	25V	B	GRM188R61E106MA73D	K22144818		1-	A	B3
C 3304	CHIP CAP.	10uF	25V	B	GRM188R61E106MA73D	K22144818		1-	A	B2
C 3305	CHIP CAP.	10uF	25V	B	GRM188R61E106MA73D	K22144818		1-	A	B3
C 3306	CHIP CAP.	10uF	25V	B	GRM188R61E106MA73D	K22144818		1-	A	C3
C 3307	CHIP CAP.	10uF	25V	B	GRM188R61E106MA73D	K22144818		1-	A	C3
C 3308	CHIP CAP.	10uF	25V	B	GRM188R61E106MA73D	K22144818		1-	A	C3
C 3309	CHIP CAP.	10uF	25V	B	GRM188R61E106MA73D	K22144818		1-	A	C3
C 3310	CHIP CAP.	10uF	25V	B	GRM188R61E106MA73D	K22144818		1-	A	D3
C 3311	CHIP TA.CAP.	1uF	35V		TAJA105M035RNJ	K78160098		1-	A	D3
C 3312	CHIP CAP.	0.001uF	50V	B	GRM155B11H102KA01D	K22178809		1-	B	e3
C 3313	CHIP CAP.	0.01uF	50V	X7R	GRM155R71H103KA88D	K22178848		1-	A	B1
C 3314	CHIP CAP.	0.01uF	50V	X7R	GRM155R71H103KA88D	K22178848		1-	B	e3
C 3315	CHIP CAP.	10uF	25V	B	GRM188R61E106MA73D	K22144818		1-	B	e3
C 3316	CHIP CAP.	0.1uF	50V	X7R	GRM155R71H104KE14D	K22178872		1-	A	B1
C 3317	CHIP CAP.	0.0012uF	50V	C0G	GRM1555C1H122JA01D	K22179758		1-	A	B2
C 3318	CHIP CAP.	0.0015uF	50V	C0G	GRM1555C1H152JA01D	K22179760		1-	A	B2
C 3319	CHIP CAP.	100pF	50V	CH	GRM1552C1H101JA01D	K22178236		1-	A	B2
C 3320	CHIP CAP.	1uF	25V	X5R	GRM155R61E105KE11D	K22149010		1-	A	B1
C 3321	CHIP CAP.	0.1uF	50V	X7R	GRM155R71H104KE14D	K22178872		1-	A	B3
C 3322	CHIP CAP.	0.01uF	50V	X7R	GRM155R71H103KA88D	K22178848		1-	A	B3
C 3323	CHIP CAP.	0.001uF	50V	B	GRM155B11H102KA01D	K22178809		1-	A	A3
C 3325	CHIP CAP.	1uF	25V	X5R	GRM155R61E105KE11D	K22149010		1-	A	E3
C 3326	CHIP CAP.	0.01uF	50V	X7R	GRM155R71H103KA88D	K22178848		1-	A	A3
C 3327	CHIP CAP.	15pF	50V	CH	GRM1552C1H150JA01D	K22178216		1-	A	B3
C 3328	CHIP CAP.	0.1uF	50V	X7R	GRM155R71H104KE14D	K22178872		1-	A	E3
C 3329	CHIP CAP.	0.0012uF	50V	C0G	GRM1555C1H122JA01D	K22179758		1-	A	A2
C 3331	CHIP CAP.	0.1uF	50V	X7R	GRM155R71H104KE14D	K22178872		1-	A	A3
C 3332	CHIP CAP.	0.01uF	50V	X7R	GRM155R71H103KA88D	K22178848		1-	A	E3
C 3333	CHIP CAP.	6pF	50V	CH	GRM1552C1H6R0DA01D	K22178208		1-	A	A3

MAIN Unit Parts List

REF	DESCRIPTION	VALUE	V/W	TOL.	MFR'S DESIG	YAESU P/N	VERS.	LOT	SIDE	LAY ADR
C 3334	CHIP CAP.	1uF	25V	X5R	GRM155R61E105KE11D	K22149010		1-	A	A3
C 3335	CHIP CAP.	0.001uF	50V	B	GRM155B11H102KA01D	K22178809		1-	A	E3
C 3336	CHIP CAP.	56pF	50V	CH	GRM1552C1H560JA01D	K22178230		1-	A	A3
C 3337	CHIP CAP.	0.0012uF	50V	C0G	GRM1555C1H122JA01D	K22179758		1-	A	A2
C 3339	CHIP CAP.	6pF	50V	CH	GRM1552C1H6R0DA01D	K22178208		1-	A	A3
C 3340	AL.ELECTRO.CAP.	10uF	25V		VS1E100MB054000CE0	K48140037		1-	A	E3
C 3341	CHIP CAP.	56pF	50V	CH	GRM1552C1H560JA01D	K22178230		1-	A	A3
C 3342	CHIP CAP.	0.0012uF	50V	C0G	GRM1555C1H122JA01D	K22179758		1-	A	A2
C 3344	CHIP CAP.	0.001uF	50V	B	GRM155B11H102KA01D	K22178809		1-	A	E1
C 3346	CHIP CAP.	0.001uF	50V	B	GRM155B11H102KA01D	K22178809		1-	B	h2
C 3347	CHIP CAP.	15pF	50V	CH	GRM1552C1H150JA01D	K22178216		1-	A	A3
C 3348	CHIP CAP.	0.01uF	50V	X7R	GRM155R71H103KA88D	K22178848		1-	A	E1
C 3349	AL.ELECTRO.CAP.	10uF	25V		VS1E100MB054000CE0	K48140037		1-	A	E2
C 3350	CHIP CAP.	0.01uF	50V	X7R	GRM155R71H103KA88D	K22178848		1-	B	h2
C 3351	AL.ELECTRO.CAP.	220uF	16V		HV221M016E077ETR	K48120041		1-	A	D3
C 3352	CHIP CAP.	0.1uF	50V	X7R	GRM155R71H104KE14D	K22178872		1-	A	E1
C 3353	CHIP CAP.	0.1uF	50V	X7R	GRM155R71H104KE14D	K22178872		1-	B	d2
C 3354	CHIP CAP.	0.1uF	50V	X7R	GRM155R71H104KE14D	K22178872		1-	B	h2
C 3355	CHIP CAP.	0.0012uF	50V	C0G	GRM1555C1H122JA01D	K22179758		1-	A	A2
C 3356	CHIP CAP.	100pF	50V	CH	GRM1552C1H101JA01D	K22178236		1-	A	A2
C 3357	CHIP CAP.	1uF	25V	X5R	GRM155R61E105KE11D	K22149010		1-	B	d2
C 3358	CHIP CAP.	1uF	25V	X5R	GRM155R61E105KE11D	K22149010		1-	B	h2
C 3359	CHIP CAP.	1uF	25V	X5R	GRM155R61E105KE11D	K22149010		1-	A	E1
C 3360	CHIP CAP.	0.0015uF	50V	C0G	GRM1555C1H152JA01D	K22179760		1-	A	A2
C 3361	CHIP CAP.	0.001uF	50V	B	GRM155B11H102KA01D	K22178809		1-	A	E2
C 3362	CHIP CAP.	1uF	25V	X5R	GRM155R61E105KE11D	K22149010		1-	A	D3
C 3363	CHIP CAP.	0.01uF	50V	X7R	GRM155R71H103KA88D	K22178848		1-	A	E2
C 3364	CHIP CAP.	0.1uF	50V	X7R	GRM155R71H104KE14D	K22178872		1-	A	E2
C 3365	CHIP CAP.	0.001uF	50V	B	GRM155B11H102KA01D	K22178809		1-	A	D3
C 3366	CHIP CAP.	1uF	25V	X5R	GRM155R61E105KE11D	K22149010		1-	A	E2
C 3367	CHIP CAP.	0.01uF	50V	X7R	GRM155R71H103KA88D	K22178848		1-	A	D3
C 3368	CHIP CAP.	10uF	25V	B	GRM188R61E106MA73D	K22144818		1-	A	E2
C 3369	CHIP CAP.	0.1uF	50V	X7R	GRM155R71H104KE14D	K22178872		1-	A	D3
C 3370	CHIP CAP.	10uF	25V	B	GRM188R61E106MA73D	K22144818		1-	B	g3
C 3371	CHIP CAP.	0.1uF	50V	X7R	GRM155R71H104KE14D	K22178872		1-	A	A6
C 3372	CHIP CAP.	0.1uF	50V	X7R	GRM155R71H104KE14D	K22178872		1-	B	g3
C 3373	CHIP CAP.	0.01uF	50V	X7R	GRM155R71H103KA88D	K22178848		1-	A	A6
C 3376	CHIP CAP.	0.01uF	50V	X7R	GRM155R71H103KA88D	K22178848		1-	B	g3
C 3377	CHIP CAP.	0.001uF	50V	B	GRM155B11H102KA01D	K22178809		1-	A	A6
C 3381	CHIP CAP.	1uF	25V	X5R	GRM155R61E105KE11D	K22149010		1-	A	D6
C 3382	CHIP CAP.	0.001uF	50V	B	GRM155B11H102KA01D	K22178809		1-	B	g3
C 3383	CHIP CAP.	0.1uF	50V	X7R	GRM155R71H104KE14D	K22178872		1-	A	A6
C 3386	AL.ELECTRO.CAP.	220uF	16V		HV221M016E077ETR	K48120041		1-	A	A6
C 3389	CHIP CAP.	5pF	50V	CH	GRM1552C1H5R0CA01D	K22178207		1-	A	A3
C 3392	CHIP CAP.	0.1uF	50V	X7R	GRM155R71H104KE14D	K22178872		1-	A	A3
C 3393	CHIP CAP.	0.001uF	50V	B	GRM155B11H102KA01D	K22178809		1-	A	A6
C 3394	CHIP CAP.	9pF	50V	CH	GRM1552C1H9R0DA01D	K22178211		1-	A	A3
C 3395	CHIP CAP.	0.001uF	50V	B	GRM155B11H102KA01D	K22178809		1-	A	A3
C 3396	CHIP CAP.	0.01uF	50V	X7R	GRM155R71H103KA88D	K22178848		1-	A	A6
C 3398	CHIP CAP.	0.1uF	50V	X7R	GRM155R71H104KE14D	K22178872		1-	A	A6
C 3400	AL.ELECTRO.CAP.	10uF	25V		VS1E100MB054000CE0	K48140037		1-	A	A6
C 3403	CHIP CAP.	0.1uF	50V	X7R	GRM155R71H104KE14D	K22178872		1-	A	A3
C 3404	CHIP CAP.	0.01uF	50V	X7R	GRM155R71H103KA88D	K22178848		1-	A	A4
C 3405	CHIP CAP.	0.1uF	50V	X7R	GRM155R71H104KE14D	K22178872		1-	A	A4
C 3406	CHIP CAP.	0.1uF	50V	X7R	GRM155R71H104KE14D	K22178872		1-	A	A3
C 3407	CHIP CAP.	0.001uF	50V	B	GRM155B11H102KA01D	K22178809		1-	A	A3
C 3408	CHIP TA.CAP.	1uF	35V		TAJA105M035RNJ	K78160098		1-	A	A3
C 3409	CHIP CAP.	2pF	50V	CK	GRM1554C1H2R0CA01D	K22178204		1-	A	A4
C 3410	CHIP CAP.	10pF	50V	CH	GRM1552C1H100JA01D	K22178212		1-	A	A4
C 3411	CHIP CAP.	10pF	50V	CH	GRM1552C1H100JA01D	K22178212		1-	A	A4
C 3412	CHIP CAP.	0.0015uF	50V	C0G	GRM1555C1H152JA01D	K22179760		1-	B	h4
C 3413	CHIP CAP.	0.0015uF	50V	C0G	GRM1555C1H152JA01D	K22179760		1-	B	h4
C 3415	CHIP CAP.	0.0022uF	50V	C0G	GRM1555C1H222JA01D	K22179764		1-	B	h4
C 3416	CHIP CAP.	0.0022uF	50V	C0G	GRM1555C1H222JA01D	K22179764		1-	B	h4
C 3418	CHIP CAP.	47pF	50V	CH	GRM1552C1H470JA01D	K22178228		1-	A	A4
C 3421	CHIP CAP.	47pF	50V	CH	GRM1552C1H470JA01D	K22178228		1-	A	A4
C 3423	CHIP CAP.	0.1uF	50V	X7R	GRM155R71H104KE14D	K22178872		1-	B	f4
C 3425	CHIP CAP.	2pF	50V	CK	GRM1554C1H2R0CA01D	K22178204		1-	A	A4
C 3426	CHIP CAP.	0.001uF	50V	B	GRM155B11H102KA01D	K22178809		1-	A	C3
C 3427	CHIP CAP.	0.001uF	50V	B	GRM155B11H102KA01D	K22178809		1-	B	f4
C 3428	CHIP CAP.	0.1uF	50V	X7R	GRM155R71H104KE14D	K22178872		1-	A	A6
C 3429	CHIP CAP.	0.001uF	50V	C0G	GRM1555C1H102JA01D	K22179756		1-	A	A6
C 3430	CHIP CAP.	0.001uF	50V	B	GRM155B11H102KA01D	K22178809		1-	B	f5
C 3431	CHIP CAP.	0.01uF	50V	X7R	GRM155R71H103KA88D	K22178848		1-	A	B5
C 3432	CHIP CAP.	0.1uF	50V	X7R	GRM155R71H104KE14D	K22178872		1-	B	f5

MAIN Unit Parts List

REF	DESCRIPTION	VALUE	V/W	TOL.	MFR'S DESIG	YAESU P/N	VERS.	LOT	SIDE	LAY ADR
C 3434	CHIP CAP.	0.01uF	50V	X7R	GRM155R71H103KA88D	K22178848		1-	A	A6
C 3435	CHIP CAP.	1pF	50V	CK	GRM1554C1H1R0BA01D	K22178287		1-	A	B5
C 3436	CHIP CAP.	0.1uF	50V	X7R	GRM155R71H104KE14D	K22178872		1-	A	A7
C 3437	CHIP CAP.	0.1uF	50V	X7R	GRM155R71H104KE14D	K22178872		1-	A	A7
C 3438	CHIP CAP.	0.1uF	50V	X7R	GRM155R71H104KE14D	K22178872		1-	A	A6
C 3439	CHIP CAP.	0.01uF	50V	X7R	GRM155R71H103KA88D	K22178848		1-	A	B3
C 3440	CHIP CAP.	0.001uF	50V	B	GRM155B11H102KA01D	K22178809		1-	A	B5
C 3441	CHIP CAP.	0.001uF	50V	C0G	GRM1555C1H102JA01D	K22179756		1-	A	A5
C 3442	CHIP CAP.	0.1uF	50V	X7R	GRM155R71H104KE14D	K22178872		1-	A	B4
C 3443	CHIP CAP.	0.01uF	50V	X7R	GRM155R71H103KA88D	K22178848		1-	A	B4
C 3444	CHIP CAP.	0.01uF	50V	X7R	GRM155R71H103KA88D	K22178848		1-	A	B5
C 3445	CHIP CAP.	0.001uF	50V	C0G	GRM1555C1H102JA01D	K22179756		1-	A	A7
C 3446	CHIP CAP.	0.001uF	50V	C0G	GRM1555C1H102JA01D	K22179756		1-	A	A7
C 3447	CHIP CAP.	0.001uF	50V	C0G	GRM1555C1H102JA01D	K22179756		1-	A	A6
C 3448	CHIP CAP.	0.1uF	50V	X7R	GRM155R71H104KE14D	K22178872		1-	A	A5
C 3449	CHIP CAP.	0.1uF	50V	X7R	GRM155R71H104KE14D	K22178872		1-	A	B5
C 3450	CHIP CAP.	0.001uF	50V	C0G	GRM1555C1H102JA01D	K22179756		1-	A	A7
C 3451	CHIP CAP.	0.001uF	50V	C0G	GRM1555C1H102JA01D	K22179756		1-	A	A7
C 3452	CHIP CAP.	0.001uF	50V	C0G	GRM1555C1H102JA01D	K22179756		1-	A	A6
C 3453	CHIP CAP.	0.1uF	50V	X7R	GRM155R71H104KE14D	K22178872		1-	A	B5
C 3454	CHIP CAP.	1uF	16V	B	GRM155B31C105KA12D	K22128817		1-	A	B5
C 3455	CHIP CAP.	22pF	50V	CH	GRM1552C1H220JA01D	K22178220		1-	A	B5
C 3456	CHIP CAP.	10uF	25V	B	GRM188R61E106MA73D	K22144818		1-	A	A5
C 3459	CHIP CAP.	0.001uF	50V	B	GRM155B11H102KA01D	K22178809		1-	A	A7
C 3460	CHIP CAP.	0.001uF	50V	B	GRM155B11H102KA01D	K22178809		1-	A	A7
C 3461	CHIP CAP.	0.001uF	50V	B	GRM155B11H102KA01D	K22178809		1-	A	A6
C 3463	CHIP CAP.	0.1uF	50V	X7R	GRM155R71H104KE14D	K22178872		1-	A	B3
C 3464	CHIP CAP.	68pF	50V	CH	GRM1552C1H680JA01D	K22178232		1-	A	B5
C 3465	CHIP CAP.	0.1uF	50V	X7R	GRM155R71H104KE14D	K22178872		1-	A	B5
C 3466	CHIP CAP.	0.1uF	50V	X7R	GRM155R71H104KE14D	K22178872		1-	A	A7
C 3467	CHIP CAP.	0.1uF	50V	X7R	GRM155R71H104KE14D	K22178872		1-	A	A6
C 3468	CHIP CAP.	9pF	50V	CH	GRM1552C1H9R0DA01D	K22178211		1-	A	B3
C 3469	CHIP CAP.	0.001uF	50V	B	GRM155B11H102KA01D	K22178809		1-	A	B3
C 3470	CHIP CAP.	0.001uF	50V	C0G	GRM1555C1H102JA01D	K22179756		1-	A	B5
C 3471	CHIP CAP.	0.1uF	50V	X7R	GRM155R71H104KE14D	K22178872		1-	A	A7
C 3472	CHIP CAP.	0.1uF	50V	X7R	GRM155R71H104KE14D	K22178872		1-	A	A5
C 3473	CHIP CAP.	0.1uF	50V	X7R	GRM155R71H104KE14D	K22178872		1-	A	B5
C 3474	CHIP CAP.	8pF	50V	CH	GRM1552C1H8R0DA01D	K22178210		1-	A	A7
C 3475	CHIP CAP.	22pF	50V	CH	GRM1552C1H220JA01D	K22178220		1-	A	A7
C 3476	CHIP CAP.	22pF	50V	CH	GRM1552C1H220JA01D	K22178220		1-	A	B5
C 3477	CHIP CAP.	0.1uF	50V	X7R	GRM155R71H104KE14D	K22178872		1-	A	B4
C 3478	CHIP CAP.	0.01uF	50V	X7R	GRM155R71H103KA88D	K22178848		1-	A	B4
C 3479	CHIP CAP.	10uF	25V	B	GRM188R61E106MA73D	K22144818		1-	A	A7
C 3480	CHIP CAP.	10uF	25V	B	GRM188R61E106MA73D	K22144818		1-	A	A7
C 3481	CHIP CAP.	10uF	25V	B	GRM188R61E106MA73D	K22144818		1-	A	A6
C 3482	CHIP CAP.	0.01uF	50V	X7R	GRM155R71H103KA88D	K22178848		1-	A	B5
C 3484	CHIP CAP.	0.1uF	50V	X7R	GRM155R71H104KE14D	K22178872		1-	A	B3
C 3485	CHIP CAP.	0.01uF	50V	X7R	GRM155R71H103KA88D	K22178848		1-	A	B3
C 3486	CHIP CAP.	0.1uF	50V	X7R	GRM155R71H104KE14D	K22178872		1-	A	B3
C 3487	CHIP CAP.	0.001uF	50V	C0G	GRM1555C1H102JA01D	K22179756		1-	A	A5
C 3488	CHIP CAP.	0.001uF	50V	B	GRM155B11H102KA01D	K22178809		1-	A	B3
C 3489	CHIP CAP.	3pF	50V	CJ	GRM1553C1H3R0BA01D	K22178290		1-	A	B7
C 3490	CHIP CAP.	27pF	50V	CH	GRM1552C1H270JA01D	K22178222		1-	A	B7
C 3491	CHIP CAP.	0.1uF	50V	X7R	GRM155R71H104KE14D	K22178872		1-	A	A5
C 3492	CHIP CAP.	0.001uF	50V	C0G	GRM1555C1H102JA01D	K22179756		1-	A	A5
C 3493	CHIP CAP.	0.001uF	50V	C0G	GRM1555C1H102JA01D	K22179756		1-	A	A5
C 3494	CHIP CAP.	0.1uF	50V	X7R	GRM155R71H104KE14D	K22178872		1-	A	B3
C 3495	CHIP CAP.	10uF	25V	B	GRM188R61E106MA73D	K22144818		1-	A	A5
C 3496	CHIP CAP.	0.1uF	50V	X7R	GRM155R71H104KE14D	K22178872		1-	A	B5
C 3497	CHIP CAP.	10uF	25V	B	GRM188R61E106MA73D	K22144818		1-	A	A5
C 3498	CHIP CAP.	0.1uF	50V	X7R	GRM155R71H104KE14D	K22178872		1-	A	A5
C 3499	CHIP TA.CAP.	1uF	35V		TAJA105M035RNJ	K78160098		1-	A	B3
C 3500	CHIP CAP.	0.1uF	50V	X7R	GRM155R71H104KE14D	K22178872		1-	A	A5
C 3501	CHIP CAP.	0.1uF	50V	X7R	GRM155R71H104KE14D	K22178872		1-	A	A5
C 3502	CHIP CAP.	10uF	25V	B	GRM188R61E106MA73D	K22144818		1-	A	A5
C 3503	CHIP CAP.	8pF	50V	CH	GRM1552C1H8R0DA01D	K22178210		1-	A	B7
C 3504	CHIP CAP.	22pF	50V	CH	GRM1552C1H220JA01D	K22178220		1-	A	B7
C 3505	CHIP CAP.	10uF	25V	B	GRM188R61E106MA73D	K22144818		1-	A	A5
C 3506	CHIP CAP.	0.01uF	50V	X7R	GRM155R71H103KA88D	K22178848		1-	A	A5
C 3507	CHIP CAP.	0.01uF	50V	X7R	GRM155R71H103KA88D	K22178848		1-	A	B4
C 3509	CHIP CAP.	0.001uF	50V	B	GRM155B11H102KA01D	K22178809		1-	A	A5
C 3510	CHIP CAP.	0.001uF	50V	B	GRM155B11H102KA01D	K22178809		1-	A	B5
C 3512	CHIP CAP.	5pF	50V	CH	GRM1552C1H5R0CA01D	K22178207		1-	A	B4
C 3513	CHIP CAP.	0.1uF	50V	X7R	GRM155R71H104KE14D	K22178872		1-	A	B4
C 3514	CHIP CAP.	0.01uF	50V	X7R	GRM155R71H103KA88D	K22178848		1-	A	B4

MAIN Unit Parts List

REF	DESCRIPTION	VALUE	V/W	TOL.	MFR'S DESIG	YAESU P/N	VERS.	LOT	SIDE	LAY ADR
C 3515	CHIP CAP.	0.001uF	50V	C0G	GRM1555C1H102JA01D	K22179756		1-	A	B6
C 3516	CHIP CAP.	0.001uF	50V	C0G	GRM1555C1H102JA01D	K22179756		1-	A	C7
C 3517	CHIP CAP.	0.001uF	50V	C0G	GRM1555C1H102JA01D	K22179756		1-	A	C6
C 3519	CHIP CAP.	0.001uF	50V	B	GRM155B11H102KA01D	K22178809		1-	A	B4
C 3520	CHIP CAP.	0.1uF	50V	X7R	GRM155R71H104KE14D	K22178872		1-	A	B4
C 3521	AL.ELECTRO.CAP.	10uF	25V		VS1E100MB054000CE0	K48140037		1-	A	A6
C 3522	CHIP CAP.	0.01uF	50V	X7R	GRM155R71H103KA88D	K22178848		1-	A	B5
C 3523	CHIP CAP.	0.001uF	50V	C0G	GRM1555C1H102JA01D	K22179756		1-	A	B7
C 3524	CHIP CAP.	0.001uF	50V	C0G	GRM1555C1H102JA01D	K22179756		1-	A	C7
C 3525	CHIP CAP.	0.001uF	50V	C0G	GRM1555C1H102JA01D	K22179756		1-	A	C6
C 3527	CHIP CAP.	0.01uF	50V	X7R	GRM155R71H103KA88D	K22178848		1-	A	B5
C 3528	CHIP CAP.	0.01uF	50V	X7R	GRM155R71H103KA88D	K22178848		1-	A	C3
C 3529	CHIP CAP.	0.01uF	50V	X7R	GRM155R71H103KA88D	K22178848		1-	A	B4
C 3530	CHIP CAP.	0.1uF	50V	X7R	GRM155R71H104KE14D	K22178872		1-	A	B5
C 3531	CHIP TA.CAP.	10uF	16V		TMCMA1C106MTRF	K78120077		1-	A	B5
C 3532	AL.ELECTRO.CAP.	220uF	16V		HV221M016E077ETR	K48120041		1-	A	B5
C 3533	CHIP CAP.	0.1uF	50V	X7R	GRM155R71H104KE14D	K22178872		1-	A	B4
C 3535	CHIP CAP.	0.1uF	50V	X7R	GRM155R71H104KE14D	K22178872		1-	A	B7
C 3536	CHIP CAP.	0.1uF	50V	X7R	GRM155R71H104KE14D	K22178872		1-	A	C7
C 3537	CHIP CAP.	0.1uF	50V	X7R	GRM155R71H104KE14D	K22178872		1-	A	C6
C 3539	AL.ELECTRO.CAP.	10uF	25V		VS1E100MB054000CE0	K48140037		1-	A	C3
C 3540	CHIP CAP.	270pF	50V	CH	GRM1552C1H271JA01D	K22179715		1-	A	A5
C 3541	CHIP CAP.	0.1uF	50V	X7R	GRM155R71H104KE14D	K22178872		1-	A	B5
C 3543	CHIP CAP.	0.001uF	50V	B	GRM155B11H102KA01D	K22178809		1-	A	B5
C 3544	CHIP CAP.	0.1uF	50V	X7R	GRM155R71H104KE14D	K22178872		1-	A	B4
C 3545	CHIP CAP.	43pF	50V	CH	GRM1552C1H430JA01D	K22178227		1-	A	A6
C 3546	CHIP CAP.	270pF	50V	CH	GRM1552C1H271JA01D	K22179715		1-	A	A6
C 3547	CHIP CAP.	0.001uF	50V	B	GRM155B11H102KA01D	K22178809		1-	A	B6
C 3548	CHIP CAP.	0.1uF	50V	X7R	GRM155R71H104KE14D	K22178872		1-	A	C3
C 3549	CHIP CAP.	43pF	50V	CH	GRM1552C1H430JA01D	K22178227		1-	A	A5
C 3550	CHIP CAP.	0.001uF	50V	B	GRM155B11H102KA01D	K22178809		1-	A	A6
C 3551	CHIP CAP.	0.1uF	50V	X7R	GRM155R71H104KE14D	K22178872		1-	A	C5
C 3552	CHIP CAP.	0.1uF	50V	X7R	GRM155R71H104KE14D	K22178872		1-	A	B5
C 3553	CHIP CAP.	0.01uF	50V	X7R	GRM155R71H103KA88D	K22178848		1-	A	B5
C 3554	CHIP CAP.	0.1uF	50V	X7R	GRM155R71H104KE14D	K22178872		1-	A	B4
C 3555	CHIP CAP.	0.01uF	50V	X7R	GRM155R71H103KA88D	K22178848		1-	A	B6
C 3556	CHIP CAP.	0.01uF	50V	X7R	GRM155R71H103KA88D	K22178848		1-	A	C3
C 3557	CHIP CAP.	0.01uF	50V	X7R	GRM155R71H103KA88D	K22178848		1-	A	A6
C 3558	CHIP CAP.	0.01uF	50V	X7R	GRM155R71H103KA88D	K22178848		1-	B	e4
C 3559	CHIP CAP.	0.01uF	50V	X7R	GRM155R71H103KA88D	K22178848		1-	A	A6
C 3560	CHIP CAP.	0.1uF	50V	X7R	GRM155R71H104KE14D	K22178872		1-	A	B6
C 3561	AL.ELECTRO.CAP.	220uF	16V		HV221M016E077ETR	K48120041		1-	A	B4
C 3562	CHIP CAP.	0.1uF	50V	X7R	GRM155R71H104KE14D	K22178872		1-	A	B4
C 3563	CHIP CAP.	0.1uF	50V	X7R	GRM155R71H104KE14D	K22178872		1-	A	A6
C 3564	CHIP CAP.	0.1uF	50V	X7R	GRM155R71H104KE14D	K22178872		1-	A	D6
C 3566	CHIP CAP.	0.01uF	50V	X7R	GRM155R71H103KA88D	K22178848		1-	A	B5
C 3567	CHIP CAP.	0.001uF	50V	B	GRM155B11H102KA01D	K22178809		1-	A	B4
C 3568	CHIP CAP.	0.001uF	50V	B	GRM155B11H102KA01D	K22178809		1-	A	B4
C 3569	CHIP TA.CAP.	1uF	35V		TAJA105M035RNJ	K78160098		1-	A	A6
C 3570	CHIP CAP.	0.1uF	50V	X7R	GRM155R71H104KE14D	K22178872		1-	A	C5
C 3572	CHIP CAP.	0.1uF	50V	X7R	GRM155R71H104KE14D	K22178872		1-	A	B6
C 3573	CHIP CAP.	0.1uF	50V	X7R	GRM155R71H104KE14D	K22178872		1-	A	B4
C 3574	CHIP CAP.	0.001uF	50V	C0G	GRM1555C1H102JA01D	K22179756		1-	A	D6
C 3575	CHIP CAP.	0.01uF	50V	X7R	GRM155R71H103KA88D	K22178848		1-	A	D4
C 3576	CHIP CAP.	0.01uF	50V	X7R	GRM155R71H103KA88D	K22178848		1-	A	B4
C 3577	CHIP CAP.	0.01uF	50V	X7R	GRM155R71H103KA88D	K22178848		1-	A	B4
C 3578	CHIP CAP.	0.001uF	50V	B	GRM155B11H102KA01D	K22178809		1-	A	C5
C 3579	CHIP CAP.	10uF	25V	B	GRM188R61E106MA73D	K22144818		1-	A	B4
C 3580	CHIP CAP.	0.1uF	50V	X7R	GRM155R71H104KE14D	K22178872		1-	A	B4
C 3581	CHIP CAP.	0.1uF	50V	X7R	GRM155R71H104KE14D	K22178872		1-	A	B4
C 3582	CHIP CAP.	0.1uF	50V	X7R	GRM155R71H104KE14D	K22178872		1-	A	C5
C 3583	CHIP CAP.	0.01uF	50V	X7R	GRM155R71H103KA88D	K22178848		1-	A	C5
C 3584	CHIP CAP.	0.1uF	50V	X7R	GRM155R71H104KE14D	K22178872		1-	A	C5
C 3585	CHIP CAP.	0.01uF	50V	X7R	GRM155R71H103KA88D	K22178848		1-	A	D6
C 3586	AL.ELECTRO.CAP.	220uF	16V		HV221M016E077ETR	K48120041		1-	A	B4
C 3587	CHIP CAP.	0.01uF	50V	X7R	GRM155R71H103KA88D	K22178848		1-	A	B4
C 3588	CHIP CAP.	0.001uF	50V	B	GRM155B11H102KA01D	K22178809		1-	A	B5
C 3589	CHIP CAP.	0.1uF	50V	X7R	GRM155R71H104KE14D	K22178872		1-	A	A6
C 3590	CHIP CAP.	0.1uF	50V	X7R	GRM155R71H104KE14D	K22178872		1-	A	C5
C 3591	CHIP CAP.	0.1uF	50V	X7R	GRM155R71H104KE14D	K22178872		1-	A	B3
C 3592	CHIP CAP.	9pF	50V	CH	GRM1552C1H9R0DA01D	K22178211		1-	A	A6
C 3593	CHIP CAP.	0.01uF	50V	X7R	GRM155R71H103KA88D	K22178848		1-	A	B5
C 3594	CHIP CAP.	0.01uF	50V	X7R	GRM155R71H103KA88D	K22178848		1-	A	A6
C 3595	AL.ELECTRO.CAP.	220uF	16V		HV221M016E077ETR	K48120041		1-	A	B3
C 3596	CHIP CAP.	0.1uF	50V	X7R	GRM155R71H104KE14D	K22178872		1-	A	C5

MAIN Unit Parts List

REF	DESCRIPTION	VALUE	V/W	TOL.	MFR'S DESIG	YAESU P/N	VERS.	LOT	SIDE	LAY ADR
C 3597	CHIP CAP.	0.1uF	50V	X7R	GRM155R71H104KE14D	K22178872		1-	A	B5
C 3598	CHIP CAP.	0.01uF	50V	X7R	GRM155R71H103KA88D	K22178848		1-	A	B4
C 3600	CHIP CAP.	0.001uF	50V	B	GRM155B11H102KA01D	K22178809		1-	A	C5
C 3601	CHIP CAP.	0.001uF	50V	B	GRM155B11H102KA01D	K22178809		1-	A	C5
C 3602	CHIP CAP.	0.1uF	50V	X7R	GRM155R71H104KE14D	K22178872		1-	A	B4
C 3604	CHIP CAP.	0.01uF	50V	X7R	GRM155R71H103KA88D	K22178848		1-	A	C5
C 3605	CHIP CAP.	0.01uF	50V	X7R	GRM155R71H103KA88D	K22178848		1-	A	C5
C 3606	CHIP CAP.	0.1uF	50V	X7R	GRM155R71H104KE14D	K22178872		1-	A	D6
C 3607	CHIP CAP.	330pF	50V	C0G	GRM1555C1H331JA01D	K22179744		1-	A	D6
C 3609	CHIP CAP.	0.001uF	50V	B	GRM155B11H102KA01D	K22178809		1-	A	B4
C 3610	CHIP CAP.	0.1uF	50V	X7R	GRM155R71H104KE14D	K22178872		1-	A	A6
C 3611	CHIP CAP.	0.001uF	50V	B	GRM155B11H102KA01D	K22178809		1-	A	A6
C 3612	CHIP CAP.	0.01uF	50V	X7R	GRM155R71H103KA88D	K22178848		1-	A	A6
C 3613	CHIP CAP.	0.1uF	50V	X7R	GRM155R71H104KE14D	K22178872		1-	A	C5
C 3615	CHIP CAP.	0.01uF	50V	X7R	GRM155R71H103KA88D	K22178848		1-	A	D6
C 3616	CHIP CAP.	0.1uF	50V	X7R	GRM155R71H104KE14D	K22178872		1-	A	C5
C 3618	CHIP CAP.	0.01uF	50V	X7R	GRM155R71H103KA88D	K22178848		1-	A	A6
C 3619	CHIP CAP.	18pF	50V	CH	GRM1552C1H180JA01D	K22178218		1-	A	C4
C 3620	CHIP CAP.	0.001uF	50V	B	GRM155B11H102KA01D	K22178809		1-	A	D6
C 3621	CHIP CAP.	10uF	10V	B	GRM188B31A106ME69D	K22104810		1-	A	C4
C 3622	CHIP CAP.	0.1uF	50V	X7R	GRM155R71H104KE14D	K22178872		1-	A	B4
C 3623	CHIP CAP.	0.01uF	50V	X7R	GRM155R71H103KA88D	K22178848		1-	A	B4
C 3624	CHIP CAP.	0.1uF	50V	X7R	GRM155R71H104KE14D	K22178872		1-	A	C5
C 3626	CHIP CAP.	0.1uF	50V	X7R	GRM155R71H104KE14D	K22178872		1-	A	C4
C 3627	CHIP CAP.	0.1uF	50V	X7R	GRM155R71H104KE14D	K22178872		1-	A	A6
C 3630	CHIP CAP.	0.01uF	50V	X7R	GRM155R71H103KA88D	K22178848		1-	A	C4
C 3631	CHIP TA.CAP.	1uF	35V		TAJA105M035RNJ	K78160098		1-	A	A6
C 3632	CHIP CAP.	0.01uF	50V	X7R	GRM155R71H103KA88D	K22178848		1-	A	D5
C 3633	CHIP CAP.	0.01uF	50V	X7R	GRM155R71H103KA88D	K22178848		1-	A	D5
C 3634	CHIP CAP.	0.01uF	50V	X7R	GRM155R71H103KA88D	K22178848		1-	A	D6
C 3636	CHIP CAP.	82pF	50V	CH	GRM1552C1H820JA01D	K22178234		1-	A	C4
C 3638	CHIP CAP.	0.001uF	50V	B	GRM155B11H102KA01D	K22178809		1-	A	C4
C 3639	CHIP CAP.	0.001uF	50V	B	GRM155B11H102KA01D	K22178809		1-	A	A6
C 3640	CHIP CAP.	330pF	50V	C0G	GRM1555C1H331JA01D	K22179744		1-	A	D6
C 3644	CHIP CAP.	0.001uF	50V	B	GRM155B11H102KA01D	K22178809		1-	A	D6
C 3646	CHIP CAP.	82pF	50V	CH	GRM1552C1H820JA01D	K22178234		1-	A	C4
C 3647	CHIP CAP.	0.01uF	50V	X7R	GRM155R71H103KA88D	K22178848		1-	A	D6
C 3649	CHIP CAP.	0.01uF	50V	X7R	GRM155R71H103KA88D	K22178848		1-	A	D5
C 3650	CHIP CAP.	0.1uF	50V	X7R	GRM155R71H104KE14D	K22178872		1-	A	D6
C 3651	CHIP CAP.	150pF	50V	CH	GRM1552C1H151JA01D	K22178240		1-	A	D6
C 3652	CHIP CAP.	5pF	50V	CH	GRM1552C1H5R0CA01D	K22178207		1-	A	C4
C 3653	CHIP CAP.	33pF	50V	CH	GRM1552C1H330JA01D	K22178224		1-	A	C4
C 3654	CHIP CAP.	0.1uF	50V	X7R	GRM155R71H104KE14D	K22178872		1-	A	C4
C 3655	CHIP CAP.	0.01uF	50V	X7R	GRM155R71H103KA88D	K22178848		1-	A	C4
C 3656	CHIP CAP.	0.001uF	50V	B	GRM155B11H102KA01D	K22178809		1-	A	C4
C 3657	CHIP CAP.	0.01uF	50V	X7R	GRM155R71H103KA88D	K22178848		1-	A	C4
C 3658	CHIP CAP.	82pF	50V	CH	GRM1552C1H820JA01D	K22178234		1-	A	C4
C 3659	CHIP CAP.	0.1uF	50V	X7R	GRM155R71H104KE14D	K22178872		1-	A	C4
C 3660	CHIP CAP.	10uF	25V	B	GRM188R61E106MA73D	K22144818		1-	A	B5
C 3666	CHIP CAP.	5pF	50V	CH	GRM1552C1H5R0CA01D	K22178207		1-	A	D6
C 3670	CHIP CAP.	10uF	25V	B	GRM188R61E106MA73D	K22144818		1-	A	A6
C 3671	CHIP CAP.	10uF	25V	B	GRM188R61E106MA73D	K22144818		1-	A	D6
C 3672	CHIP CAP.	100pF	50V	CH	GRM1552C1H101JA01D	K22178236		1-	A	D2
C 3673	CHIP CAP.	150pF	50V	CH	GRM1552C1H151JA01D	K22178240		1-	A	D2
C 3674	CHIP CAP.	100pF	50V	CH	GRM1552C1H101JA01D	K22178236		1-	A	D2
C 3675	CHIP CAP.	10pF	50V	CH	GRM1552C1H100JA01D	K22178212		1-	A	C2
C 3676	CHIP CAP.	10pF	50V	CH	GRM1552C1H100JA01D	K22178212		1-	A	C2
C 3677	CHIP CAP.	150pF	50V	CH	GRM1552C1H151JA01D	K22178240		1-	A	D3
C 3678	CHIP CAP.	22pF	50V	CH	GRM1552C1H220JA01D	K22178220		1-	A	D3
C 3679	CHIP CAP.	10pF	50V	CH	GRM1552C1H100JA01D	K22178212		1-	A	C2
C 3680	CHIP CAP.	150pF	50V	CH	GRM1552C1H151JA01D	K22178240		1-	A	D2
C 3683	CHIP CAP.	0.01uF	50V	X7R	GRM155R71H103KA88D	K22178848		1-	A	D6
C 3684	CHIP CAP.	0.01uF	50V	X7R	GRM155R71H103KA88D	K22178848		1-	A	D4
C 3685	CHIP CAP.	0.001uF	50V	B	GRM155B11H102KA01D	K22178809		1-	B	e4
C 3687	CHIP CAP.	0.1uF	50V	X7R	GRM155R71H104KE14D	K22178872		1-	B	e4
C 3688	CHIP CAP.	0.01uF	50V	X7R	GRM155R71H103KA88D	K22178848		1-	A	D5
C 3690	CHIP CAP.	0.1uF	50V	X7R	GRM155R71H104KE14D	K22178872		1-	A	D4
C 3691	CHIP CAP.	0.1uF	50V	X7R	GRM155R71H104KE14D	K22178872		1-	A	D5
C 3704	CHIP CAP.	0.1uF	50V	X7R	GRM155R71H104KE14D	K22178872		1-	A	A2
C 3705	CHIP CAP.	0.1uF	50V	X7R	GRM155R71H104KE14D	K22178872		1-	A	A2
C 3706	CHIP CAP.	0.1uF	50V	X7R	GRM155R71H104KE14D	K22178872		1-	A	A2
C 3707	CHIP CAP.	0.01uF	50V	X7R	GRM155R71H103KA88D	K22178848		1-	A	A2
C 3708	CHIP CAP.	0.01uF	50V	X7R	GRM155R71H103KA88D	K22178848		1-	A	A3
C 3709	CHIP CAP.	0.01uF	50V	X7R	GRM155R71H103KA88D	K22178848		1-	A	A2
C 3710	CHIP CAP.	1uF	25V	X5R	GRM155R61E105KE11D	K22149010		1-	A	A2

MAIN Unit Parts List

REF	DESCRIPTION	VALUE	V/W	TOL.	MFR'S DESIG	YAESU P/N	VERS.	LOT	SIDE	LAY ADR
C 3711	CHIP CAP.	1uF	25V	X5R	GRM155R61E105KE11D	K22149010		1-	A	A2
C 3712	CHIP CAP.	10uF	25V	B	GRM188R61E106MA73D	K22144818		1-	A	A2
C 3713	CHIP CAP.	0.001uF	50V	C0G	GRM1555C1H102JA01D	K22179756		1-	A	A2
C 3714	CHIP CAP.	0.001uF	50V	C0G	GRM1555C1H102JA01D	K22179756		1-	A	A3
C 3715	CHIP CAP.	100pF	50V	CH	GRM1552C1H101JA01D	K22178236		1-	A	A2
C 3716	CHIP CAP.	100pF	50V	CH	GRM1552C1H101JA01D	K22178236		1-	A	A3
C 3717	CHIP CAP.	0.001uF	50V	C0G	GRM1555C1H102JA01D	K22179756		1-	A	A2
C 3718	CHIP CAP.	0.0047uF	50V	B	GRM155B11H472KA01D	K22178838		1-	A	A2
C 3719	CHIP CAP.	47pF	50V	CH	GRM1552C1H470JA01D	K22178228		1-	A	A4
C 3720	CHIP CAP.	47pF	50V	CH	GRM1552C1H470JA01D	K22178228		1-	A	A4
C 3723	CHIP CAP.	180pF	50V	CH	GRM1552C1H181JA01D	K22179711		1-	A	D4
C 3724	CHIP CAP.	12pF	50V	CH	GRM1552C1H120JA01D	K22178214		1-	A	C4
C 3727	CHIP CAP.	47pF	50V	CH	GRM1552C1H470JA01D	K22178228		1-	A	C4
C 3728	CHIP CAP.	47pF	50V	CH	GRM1552C1H470JA01D	K22178228		1-	A	C4
C 3729	CHIP CAP.	8pF	50V	CH	GRM1552C1H8R0DA01D	K22178210		1-	A	C4
C 3730	CHIP CAP.	33pF	50V	CH	GRM1552C1H330JA01D	K22178224		1-	A	C4
C 3731	CHIP CAP.	22pF	50V	CH	GRM1552C1H220JA01D	K22178220		1-	A	C4
C 3732	CHIP CAP.	180pF	50V	CH	GRM1552C1H181JA01D	K22179711		1-	A	D4
C 3733	CHIP CAP.	12pF	50V	CH	GRM1552C1H120JA01D	K22178214		1-	A	D4
C 3736	CHIP CAP.	0.01uF	50V	X7R	GRM155R71H103KA88D	K22178848		1-	A	D5
C 3746	CHIP CAP.	33pF	50V	CH	GRM1552C1H330JA01D	K22178224		1-	A	C4
C 3747	CHIP CAP.	10pF	50V	CH	GRM1552C1H100JA01D	K22178212		1-	A	C4
C 3762	CHIP CAP.	180pF	50V	CH	GRM1552C1H181JA01D	K22179711		1-	A	D3
C 3764	CHIP CAP.	12pF	50V	CH	GRM1552C1H120JA01D	K22178214		1-	A	D3
C 3767	CHIP CAP.	47pF	50V	CH	GRM1552C1H470JA01D	K22178228		1-	A	C3
C 3768	CHIP CAP.	39pF	50V	CH	GRM1552C1H390JA01D	K22178226		1-	A	C3
C 3769	CHIP CAP.	10pF	50V	CH	GRM1552C1H100JA01D	K22178212		1-	A	C3
C 3770	CHIP CAP.	39pF	50V	CH	GRM1552C1H390JA01D	K22178226		1-	A	C3
C 3771	CHIP CAP.	47pF	50V	CH	GRM1552C1H470JA01D	K22178228		1-	A	C3
C 3774	CHIP CAP.	18pF	50V	CH	GRM1552C1H180JA01D	K22178218		1-	A	D3
C 3776	CHIP CAP.	22pF	50V	CH	GRM1552C1H220JA01D	K22178220		1-	A	D3
C 3777	CHIP CAP.	10pF	50V	CH	GRM1552C1H100JA01D	K22178212		1-	A	D4
C 3778	CHIP CAP.	10pF	50V	CH	GRM1552C1H100JA01D	K22178212		1-	A	D3
C 3779	CHIP CAP.	10pF	50V	CH	GRM1552C1H100JA01D	K22178212		1-	A	D3
C 3781	CHIP CAP.	10pF	50V	CH	GRM1552C1H100JA01D	K22178212		1-	A	D3
C 3782	CHIP CAP.	10pF	50V	CH	GRM1552C1H100JA01D	K22178212		1-	A	D4
C 3783	CHIP CAP.	56pF	50V	CH	GRM1552C1H560JA01D	K22178230		1-	A	D3
C 3785	CHIP CAP.	56pF	50V	CH	GRM1552C1H560JA01D	K22178230		1-	A	D3
C 3787	CHIP CAP.	18pF	50V	CH	GRM1552C1H180JA01D	K22178218		1-	A	C4
C 3790	CHIP CAP.	15pF	50V	CH	GRM1552C1H150JA01D	K22178216		1-	A	C4
C 3794	CHIP CAP.	47pF	50V	CH	GRM1552C1H470JA01D	K22178228		1-	A	C4
C 3796	CHIP CAP.	47pF	50V	CH	GRM1552C1H470JA01D	K22178228		1-	A	C4
C 3800	CHIP CAP.	10pF	50V	CH	GRM1552C1H100JA01D	K22178212		1-	A	C4
C 3801	CHIP CAP.	12pF	50V	CH	GRM1552C1H120JA01D	K22178214		1-	A	C4
C 3802	CHIP CAP.	10pF	50V	CH	GRM1552C1H100JA01D	K22178212		1-	A	C4
C 3803	CHIP CAP.	1pF	50V	CK	GRM1554C1H1R0CA01D	K22178202		1-	A	C4
C 3804	CHIP CAP.	1pF	50V	CK	GRM1554C1H1R0CA01D	K22178202		1-	A	C4
C 3805	CHIP CAP.	1pF	50V	CK	GRM1554C1H1R0CA01D	K22178202		1-	A	C4
C 3806	CHIP CAP.	15pF	50V	CH	GRM1552C1H150JA01D	K22178216		1-	A	D5
C 3807	CHIP CAP.	10uF	25V	B	GRM188R61E106MA73D	K22144818		1-	B	e4
C 3808	CHIP CAP.	0.1uF	50V	X7R	GRM155R71H104KE14D	K22178872		1-	B	e4
C 3809	CHIP CAP.	0.01uF	50V	X7R	GRM155R71H103KA88D	K22178848		1-	B	e4
C 3810	CHIP CAP.	0.001uF	50V	B	GRM155B11H102KA01D	K22178809		1-	B	e4
C 3811	CHIP CAP.	0.001uF	50V	B	GRM155B11H102KA01D	K22178809		1-	B	f3
C 3812	CHIP CAP.	0.01uF	50V	X7R	GRM155R71H103KA88D	K22178848		1-	B	f3
C 3813	CHIP CAP.	0.1uF	50V	X7R	GRM155R71H104KE14D	K22178872		1-	B	f3
C 3814	CHIP CAP.	10uF	25V	B	GRM188R61E106MA73D	K22144818		1-	B	f3
C 3815	CHIP CAP.	0.001uF	50V	B	GRM155B11H102KA01D	K22178809		1-	A	C3
C 3816	CHIP CAP.	0.01uF	50V	X7R	GRM155R71H103KA88D	K22178848		1-	A	C3
C 3817	CHIP CAP.	0.1uF	50V	X7R	GRM155R71H104KE14D	K22178872		1-	A	C3
C 3818	CHIP CAP.	0.001uF	50V	B	GRM155B11H102KA01D	K22178809		1-	B	f3
C 3819	CHIP CAP.	0.01uF	50V	X7R	GRM155R71H103KA88D	K22178848		1-	B	f3
C 3820	CHIP CAP.	0.1uF	50V	X7R	GRM155R71H104KE14D	K22178872		1-	B	f3
C 3826	CHIP CAP.	0.001uF	50V	C0G	GRM1555C1H102JA01D	K22179756		1-	A	B6
C 3827	CHIP CAP.	0.001uF	50V	C0G	GRM1555C1H102JA01D	K22179756		1-	A	C6
C 3828	CHIP CAP.	0.001uF	50V	C0G	GRM1555C1H102JA01D	K22179756		1-	A	B6
C 3829	CHIP CAP.	0.001uF	50V	C0G	GRM1555C1H102JA01D	K22179756		1-	A	C6
C 3830	CHIP CAP.	0.1uF	50V	X7R	GRM155R71H104KE14D	K22178872		1-	A	B6
C 3831	CHIP CAP.	0.1uF	50V	X7R	GRM155R71H104KE14D	K22178872		1-	A	C6
C 3834	CHIP CAP.	0.001uF	50V	B	GRM155B11H102KA01D	K22178809		1-	A	C6
C 3835	CHIP CAP.	0.1uF	50V	X7R	GRM155R71H104KE14D	K22178872		1-	A	C6
C 3836	CHIP CAP.	10uF	25V	B	GRM188R61E106MA73D	K22144818		1-	A	C5
C 3840	CHIP CAP.	10pF	50V	CH	GRM1552C1H100JA01D	K22178212		1-	A	D4
C 3841	CHIP CAP.	22pF	50V	CH	GRM1552C1H220JA01D	K22178220		1-	A	D4
C 3842	CHIP CAP.	10pF	50V	CH	GRM1552C1H100JA01D	K22178212		1-	A	D4

MAIN Unit Parts List

REF	DESCRIPTION	VALUE	V/W	TOL.	MFR'S DESIG	YAESU P/N	VERS.	LOT	SIDE	LAY ADR
C 3849	CHIP CAP.	150pF	50V	CH	GRM1552C1H151JA01D	K22178240		1-	A	D5
C 3852	CHIP CAP.	0.01uF	50V	X7R	GRM155R71H103KA88D	K22178848		1-	A	D4
C 3853	CHIP CAP.	0.1uF	50V	X7R	GRM155R71H104KE14D	K22178872		1-	A	D4
C 3854	CHIP CAP.	0.001uF	50V	B	GRM155B11H102KA01D	K22178809		1-	B	h2
C 3855	CHIP CAP.	0.01uF	50V	X7R	GRM155R71H103KA88D	K22178848		1-	B	h2
C 3856	CHIP CAP.	0.1uF	50V	X7R	GRM155R71H104KE14D	K22178872		1-	B	h2
C 3857	CHIP CAP.	1uF	25V	X5R	GRM155R61E105KE11D	K22149010		1-	B	h2
C 3858	CHIP CAP.	0.001uF	50V	B	GRM155B11H102KA01D	K22178809		1-	B	g2
C 3859	CHIP CAP.	0.1uF	50V	X7R	GRM155R71H104KE14D	K22178872		1-	B	g2
C 3864	CHIP CAP.	27pF	50V	CH	GRM1552C1H270JA01D	K22178222		1-	A	B6
C 3865	CHIP CAP.	39pF	50V	CH	GRM1552C1H390JA01D	K22178226		1-	A	C6
C 3866	CHIP CAP.	1pF	50V	CK	GRM1554C1H1R0CA01D	K22178202		1-	A	B7
C 3867	CHIP CAP.	100pF	50V	CH	GRM1552C1H101JA01D	K22178236		1-	A	D6
C 3868	CHIP CAP.	0.001uF	50V	B	GRM155B11H102KA01D	K22178809		1-	A	B3
C 3869	CHIP CAP.	0.01uF	50V	X7R	GRM155R71H103KA88D	K22178848		1-	A	B3
C 3870	CHIP CAP.	0.1uF	50V	X7R	GRM155R71H104KE14D	K22178872		1-	A	B3
C 3872	CHIP CAP.	330pF	50V	C0G	GRM1555C1H331JA01D	K22179744		1-	B	g2
C 3874	CHIP CAP.	330pF	50V	C0G	GRM1555C1H331JA01D	K22179744		1-	B	g2
C 3875	CHIP CAP.	56pF	50V	CH	GRM1552C1H560JA01D	K22178230		1-	A	D2
C 3877	CHIP CAP.	33pF	50V	CH	GRM1552C1H330JA01D	K22178224		1-	A	D2
C 3878	CHIP CAP.	8pF	50V	CH	GRM1552C1H8R0DA01D	K22178210		1-	A	D2
C 3879	CHIP CAP.	1pF	50V	CK	GRM1554C1H1R0BA01D	K22178287		1-	A	C5
C 3880	CHIP CAP.	0.1uF	50V	X7R	GRM155R71H104KE14D	K22178872		1	A	C5
C 3880	CHIP CAP.	1uF	25V	X5R	GRM155R61E105KE11D	K22149010		2-	A	C5
D 1001	DIODE				RB051L-40TE25	G2070718		1-	A	G5
D 1003	DIODE				BAS316	G2070716		1-	A	H6
D 1009	DIODE				BAS316	G2070716		1-	A	H7
D 1010	DIODE				BAS316	G2070716		1-	A	H6
D 1011	DIODE				BAS316	G2070716		1-	A	H6
D 1012	DIODE				BAS316	G2070716		1-	A	H6
D 1017	DIODE				IMN10 T108	G2070078		1-	A	G7
D 1018	DIODE				IMN10 T108	G2070078		1-	A	G7
D 1019	DIODE				IMN10 T108	G2070078		1-	A	G7
D 1020	DIODE				IMN10 T108	G2070078		1-	A	G7
D 1024	DIODE				BAS316	G2070716		1-	B	h1
D 1025	DIODE				BAS316	G2070716		1-	A	H6
D 1026	DIODE				BAS316	G2070716		1-	A	H6
D 1027	DIODE				D1F60-5053	G2071240		1-	B	h1
D 1029	DIODE				RB521S-30 TE61	G2070642		1-	A	H6
D 1031	DIODE				D1F60-5053	G2071240		1-	A	H6
D 1033	DIODE				BAS316	G2070716		1-	A	H6
D 1034	DIODE				UDZS TE-17 20B	G2071016		1-	A	H6
D 1035	DIODE				UDZS TE-17 20B	G2071016		1-	A	H6
D 1036	DIODE				BAS316	G2070716		1-	A	G6
D 1037	DIODE				BAS316	G2070716		1-	A	H6
D 1038	DIODE				BAS316	G2070716		1-	A	H7
D 1039	DIODE				BAS316	G2070716		1-	A	H7
D 1040	DIODE				BAS316	G2070716		1-	A	G6
D 1041	DIODE				BAS316	G2070716		1-	A	G5
D 1042	DIODE				BAS316	G2070716		1-	A	F7
D 1043	DIODE				BAS316	G2070716		1-	A	F7
D 1044	DIODE				BAS316	G2070716		1-	A	F7
D 1045	DIODE				BAS316	G2070716		1-	A	F7
D 1046	DIODE				BAS316	G2070716		1-	A	G7
D 1047	DIODE				BAS316	G2070716		1-	A	F7
D 1800	DIODE				RB521S-30 TE61	G2070642		1-	A	H1
D 1801	DIODE				TPD2E001DRSR	G2071648		1-	A	G1
D 1802	DIODE				TPD2E001DRSR	G2071648		1-	A	G1
D 2001	DIODE				BAS316	G2070716		1-	A	G6
D 2501	DIODE				TPD2E001DRSR	G2071648		1-	A	F1
D 2517	DIODE				RB521S-30 TE61	G2070642		1-	A	E3
D 2518	DIODE				RB521S-30 TE61	G2070642		1-	A	E3
D 2522	DIODE				1SS389(TPL3.F)	G2070608		1-	A	D5
D 2523	DIODE				1SS355 TE-17	G2070470		1-	A	E5
D 2524	DIODE				1SS355 TE-17	G2070470		1-	A	D6
D 2525	DIODE				1SS355 TE-17	G2070470		1-	A	D6
D 2526	DIODE				1SS355 TE-17	G2070470		1-	A	E5
D 2527	DIODE				1SS355 TE-17	G2070470		1-	A	D7
D 2528	DIODE				1SS355 TE-17	G2070470		1-	A	E5
D 2529	DIODE				1SS355 TE-17	G2070470		1-	A	E5
D 2530	DIODE				1SS389(TPL3.F)	G2070608		1-	A	D5
D 3001	SURGE ABSORBER				1608SGXA2-TR2	Q9000891		1-	A	A2
D 3002	DIODE				RN142S TE61	G2070994		1-	A	D2
D 3003	DIODE				RN142S TE61	G2070994		1-	A	D2
D 3004	DIODE				RN142S TE61	G2070994		1-	A	D2

MAIN Unit Parts List

REF	DESCRIPTION	VALUE	V/W	TOL.	MFR'S DESIG	YAESU P/N	VERS.	LOT	SIDE	LAY ADR
D 3005	DIODE				RN142S TE61	G2070994		1-	A	B2
D 3006	DIODE				RN142S TE61	G2070994		1-	A	B2
D 3007	DIODE				RN142S TE61	G2070994		1-	A	A2
D 3008	DIODE				RN142S TE61	G2070994		1-	A	B2
D 3009	DIODE				RN142S TE61	G2070994		1-	A	C2
D 3010	DIODE				RN142S TE61	G2070994		1-	A	C2
D 3011	DIODE				RN142S TE61	G2070994		1-	A	C2
D 3012	DIODE				RN142S TE61	G2070994		1-	A	C2
D 3013	DIODE				RN142S TE61	G2070994		1-	A	D2
D 3014	DIODE				RN142S TE61	G2070994		1-	A	A2
D 3015	DIODE				RN142S TE61	G2070994		1-	A	A2
D 3016	DIODE				BAS316	G2070716		1-	A	A1
D 3017	DIODE				RN142S TE61	G2070994		1-	A	D3
D 3018	DIODE				BAS316	G2070716		1-	A	A1
D 3019	DIODE				RN142S TE61	G2070994		1-	A	D3
D 3020	DIODE				RN142S TE61	G2070994		1-	A	D3
D 3021	DIODE				RN142S TE61	G2070994		1-	A	A3
D 3022	DIODE				RN142S TE61	G2070994		1-	A	B3
D 3023	DIODE				RN142S TE61	G2070994		1-	A	A3
D 3024	DIODE				RN142S TE61	G2070994		1-	A	B3
D 3025	DIODE				RN142S TE61	G2070994		1-	A	B3
D 3026	DIODE				RN142S TE61	G2070994		1-	A	B3
D 3027	DIODE				RN142S TE61	G2070994		1-	A	B3
D 3028	DIODE				RN142S TE61	G2070994		1-	A	C3
D 3029	DIODE				RN142S TE61	G2070994		1-	A	C3
D 3030	DIODE				RN142S TE61	G2070994		1-	A	C3
D 3031	DIODE				RN142S TE61	G2070994		1-	A	C3
D 3032	DIODE				RN142S TE61	G2070994		1-	A	D3
D 3033	DIODE				BAS316	G2070716		1-	A	B1
D 3034	DIODE				RN142S TE61	G2070994		1-	A	B2
D 3035	DIODE				BAS316	G2070716		1-	A	D1
D 3036	DIODE				BAS316	G2070716		1-	A	D1
D 3037	DIODE				BAS316	G2070716		1-	A	D1
D 3038	DIODE				BAS316	G2070716		1-	B	d2
D 3039	DIODE				RN142S TE61	G2070994		1-	A	A2
D 3041	DIODE				RN142S TE61	G2070994		1-	A	A7
D 3042	DIODE				RN142S TE61	G2070994		1-	A	A7
D 3043	DIODE				RN142S TE61	G2070994		1-	A	A6
D 3044	DIODE				RB886Y G T2R	G2071464		1-	A	B5
D 3045	DIODE				BAS316	G2070716		1-	A	B3
D 3046	DIODE				RN142S TE61	G2070994		1-	A	B6
D 3047	DIODE				RN142S TE61	G2070994		1-	A	C7
D 3048	DIODE				RN142S TE61	G2070994		1-	A	C7
D 3051	DIODE				BAS316	G2070716		1-	A	D4
D 3055	DIODE				RN142S TE61	G2070994		1-	A	A2
D 3056	DIODE				RN142S TE61	G2070994		1-	A	A3
D 3057	DIODE				BAS316	G2070716		1-	B	g1
D 3058	DIODE				BAS316	G2070716		1-	B	g1
D 3059	DIODE				RN142S TE61	G2070994		1-	A	C4
D 3060	DIODE				RN142S TE61	G2070994		1-	A	C4
D 3061	DIODE				RN142S TE61	G2070994		1-	A	C4
D 3062	DIODE				RN142S TE61	G2070994		1-	A	D4
D 3064	DIODE				RN142S TE61	G2070994		1-	A	B6
D 3065	DIODE				RN142S TE61	G2070994		1-	A	C6
D 3067	DIODE				RN142S TE61	G2070994		1-	A	B2
D 3068	DIODE				RN142S TE61	G2070994		1-	A	A2
D 3069	DIODE				BAS316	G2070716		1-	A	D1
D 3070	DIODE				RB886Y G T2R	G2071464		1-	A	C5
F 1003	CHIP FUSE	3.15A			FHC16 322ADTP	Q0000118		1-	A	C1
F 1801	CHIP FUSE	0.63A			FCC10 631ABPA	Q0000114		1-	A	H1
FB1003	FERRITE BEADS				BLM18AG601SN1D	L9190111		1-	A	G6
FB1005	FERRITE BEADS				BLM18AG601SN1D	L9190111		1-	B	h1
FB1006	FERRITE BEADS				BLM18AG601SN1D	L9190111		1-	A	A1
FB1007	FERRITE BEADS				BLM18AG601SN1D	L9190111		1-	A	G6
FB1008	FERRITE BEADS				BLM18BD182SN1D	L1690602		1-	A	E3
FB1009	FERRITE BEADS				BLM15BD182SN1D	L9190220		1-	B	a3
FB1010	FERRITE BEADS				BLM15BD182SN1D	L9190220		1-	B	a3
FB1801	FERRITE BEADS				BLM18KG260TN1D	L9190216		1-	A	G2
FB1802	FERRITE BEADS				BLM18KG260TN1D	L9190216		1-	A	G2
FB1803	FERRITE BEADS				BLM18KG260TN1D	L9190216		1-	A	G2
FB1804	FERRITE BEADS				BLM18KG260TN1D	L9190216		1-	A	G2
FB1805	FERRITE BEADS				BLM18KG260TN1D	L9190216		1-	A	H1
FB2001	FERRITE BEADS				BLM15BD102SN1D	L9190133		1-	A	F3
FB2002	FERRITE BEADS				BLM15BD102SN1D	L9190133		1-	A	F3
FB2003	FERRITE BEADS				BLM15BD102SN1D	L9190133		1-	A	F3

MAIN Unit Parts List

REF	DESCRIPTION	VALUE	V/W	TOL.	MFR'S DESIG	YAESU P/N	VERS.	LOT	SIDE	LAY ADR
FB2004	FERRITE BEADS				BLM15BD102SN1D	L9190133		1-	A	F3
FB2501	FERRITE BEADS				BLM15BD601SN1D	L9190222		1-	A	F1
FB2502	FERRITE BEADS				BLM15BD601SN1D	L9190222		1-	A	F1
FB2504	FERRITE BEADS				BLM15BD601SN1D	L9190222		1-	A	G2
FB2505	FERRITE BEADS				BLM15BD601SN1D	L9190222		1-	B	c1
FB2507	FERRITE BEADS				BLM15BD182SN1D	L9190220		1-	A	E3
FB2508	FERRITE BEADS				BLM15BD182SN1D	L9190220		1-	A	E3
FB2509	FERRITE BEADS				BLM15BD601SN1D	L9190222		1-	A	F1
FB2510	FERRITE BEADS				BLM15BD182SN1D	L9190220		1-	A	E3
FB2511	FERRITE BEADS				BLM15BD182SN1D	L9190220		1-	A	E3
FB2512	FERRITE BEADS				BLM15BD601SN1D	L9190222		1-	A	F1
FB2513	FERRITE BEADS				BLM15BD182SN1D	L9190220		1-	A	E3
FB2514	FERRITE BEADS				BLM15BD601SN1D	L9190222		1-	A	F1
FB2564	FERRITE BEADS				BLM15PX221SN1D	L9190224		1-	A	E6
FB2565	FERRITE BEADS				BLM15PX221SN1D	L9190224		1-	A	E4
FB3001	FERRITE BEADS				BLM18BD182SN1D	L1690602		1-	A	E2
FB3002	FERRITE BEADS				BLM18BD182SN1D	L1690602		1-	A	E3
FB3004	FERRITE BEADS				BLM18BD182SN1D	L1690602		1-	A	C5
FB3005	FERRITE BEADS				BLM18BD601SN1D	L9190143		1-	A	B4
FB3006	FERRITE BEADS				BLM18BD601SN1D	L9190143		1-	A	C5
FB3007	FERRITE BEADS				BLM18BD182SN1D	L1690602		1-	A	D4
J 1001	CONNECTOR				SC25-12WS	P0090631		1-	A	H5
J 1002	CONNECTOR				24FLT-SM2-TB(LF)(SN)(M)	P1091128		1-	A	H5
J 1004	CONNECTOR				SC25-11WS	P0090630		1-	A	G4
J 1005	CONNECTOR				SB20-04WS	P0090611		1-	A	F5
J 1007	CONNECTOR				U.FL-R-SMT(10)	P1091155		1-	A	E3
J 1010	CONNECTOR				AXK6S60647YG	P0091638		1-	B	a3
J 1012	CONNECTOR				12FLT-SM2-TB(LF)(SN)	P1091198		1-	A	F5
J 1014	CONNECTOR				30FLT-SM2-TB(LF)(SN)(M)	P1091142		1-	A	G7
J 1015	CONNECTOR				30FLT-SM2-TB(LF)(SN)(M)	P1091142		1-	A	F7
J 1016	CONNECTOR				30FLT-SM2-TB(LF)(SN)(M)	P1091142		1-	A	E7
J 1019	CONNECTOR				LNB0508BC-8-05A	P1091596		1-	A	A1
J 1021	CONNECTOR				TCS5116-0141577	P1091705		1-	A	C1
J 1022	CONNECTOR				SC25-06WS	P0090625		1-	A	H6
J 1025	TERMINAL				9774060243	S5000442		1-	B	c4
J 1026	TERMINAL				9774060243	S5000442		1-	B	a4
J 1029	TERMINAL				9774060243	S5000442		1-	B	c2
J 1030	TERMINAL				9774060243	S5000442		1-	B	a2
J 1033	CONNECTOR				06FLT-SM2-TB(LF)(SN)	P1091255		1-	A	E7
J 1035	CONNECTOR				06FLT-SM2-TB(LF)(SN)	P1091255		1-	A	H3
J 1801	CONNECTOR				20FLT-SM2-TB(LF)(SN)	P1091247		1-	A	H2
J 1803	CONNECTOR				DVIR-25SIAAABH0	P0091640		1-	A	H1
J 1804	CONNECTOR				C1A20Y5-020-R	P1091723		1-	A	G1
J 2001	CONNECTOR				08FLT-SM2-TB(LF)(SN)	P1091201		1-	A	G6
J 2501	CONNECTOR				1210-062-09P-AAE	P0091571		1-	A	B1
J 2502	CONNECTOR				SB20-03WS	P0090610		1-	A	E7
J 2503	CONNECTOR				SC25-03WS	P0090622		1-	A	C7
J 2504	CONNECTOR				SUB-110HB-B2N	P0091610		1-	A	F1
J 2508	CONNECTOR				SB20-04WS	P0090611		1-	A	C7
J 2509	CONNECTOR				SB20-02WS	P0090609		1-	A	E5
J 2515	CONNECTOR				SB20-08WS	P0090615		1-	A	E3
J 3001	CONNECTOR				U.FL-R-SMT(10)	P1091155		1-	A	A1
J 3005	CONNECTOR				U.FL-R-SMT(10)	P1091155		1-	A	C3
J 3006	CONNECTOR				U.FL-R-SMT(10)	P1091155		1-	A	D3
J 3008	CONNECTOR				U.FL-R-SMT(10)	P1091155		1	A	C5
J 3011	CONNECTOR				SSL00-10S-1500	P1091717		1-	B	e3
J 3012	CONNECTOR				U.FL-R-SMT(10)	P1091155		1-	A	D3
J 3013	CONNECTOR				9210B-1-04Z172-T	P0091283		1-	A	B6
J 3014	CONNECTOR				9210B-1-03Z172-T	P0091282		1-	A	C6
L 1003	CHIP COIL	0.047uH		2%	LQW18AN47NG00D	L1690888		1-	A	F2
L 1005	CHIP COIL	0.047uH		2%	LQW18AN47NG00D	L1690888		1-	A	E3
L 1006	CHIP COIL	0.047uH		2%	LQW18AN47NG00D	L1690888		1-	A	F2
L 1008	CHIP COIL	0.047uH		2%	LQW18AN47NG00D	L1690888		1-	A	F2
L 1010	CHIP COIL	0.047uH		2%	LQW18AN47NG00D	L1690888		1-	A	F2
L 1011	CHIP COIL	0.047uH		2%	LQW18AN47NG00D	L1690888		1-	A	E3
L 1013	CHIP COIL	0.047uH		2%	LQW18AN47NG00D	L1690888		1-	A	E2
L 1030	CHIP COIL	0.047uH		2%	LQW18AN47NG00D	L1690888		1-	A	E3
L 2501	M.RFC	100uH			LLM3225-101J	L1691145		1-	B	g1
L 3001	M.RFC	1000uH			LLM3225-102J	L1691157		1-	A	A1
L 3002	CHIP COIL	0.22uH		2%	C2520C-R22G-RA	L1691298		1-	A	D2
L 3003	CHIP COIL	0.68uH		2%	C2520C-R68G-RA	L1691305		1-	A	E2
L 3004	CHIP COIL	0.22uH		2%	C2520C-R22G-RA	L1691298		1-	A	D2
L 3005	CHIP COIL	0.18uH		2%	C2520C-R18G-RA	L1691297		1-	A	D2
L 3006	CHIP COIL	0.068uH		2%	C2520C-68NG-RA	L1691292		1-	A	D2
L 3007	M.RFC	1000uH			LLM3225-102J	L1691157		1-	A	A2

MAIN Unit Parts List

REF	DESCRIPTION	VALUE	V/W	TOL.	MFR'S DESIG	YAESU P/N	VERS.	LOT	SIDE	LAY ADR
L 3008	M.RFC	3.3uH		2%	1008CS-332XGLC	L1691691		1-	A	B2
L 3009	M.RFC	2.2uH		2%	1008CS-222XGLC	L1691689		1-	A	B2
L 3010	M.RFC	1.5uH		2%	1008CS-152XGLC	L1691687		1-	A	B2
L 3011	M.RFC	1uH		2%	1008CS-102XGLC	L1691685		1-	A	C2
L 3012	M.RFC	0.82uH		2%	1008CS-821XGLC	L1691683		1-	A	C2
L 3013	M.RFC	0.68uH		2%	1008CS-681XGLC	L1691681		1-	A	C2
L 3014	M.RFC	0.56uH		2%	1008CS-561XGLC	L1691679		1-	A	C2
L 3015	CHIP COIL	0.22uH		2%	C2520C-R22G-RA	L1691298		1-	A	D2
L 3016	CHIP COIL	0.68uH		2%	C2520C-R68G-RA	L1691305		1-	A	E2
L 3017	CHIP COIL	0.15uH		2%	C2520C-R15G-RA	L1691296		1-	A	D2
L 3018	CHIP COIL	0.15uH		2%	C2520C-R15G-RA	L1691296		1-	A	D2
L 3019	CHIP COIL	0.1uH		2%	C2520C-R10G-RA	L1691294		1-	A	E2
L 3020	M.RFC	8.2uH		5%	1008LS-822XJLC	L1691482		1-	A	B2
L 3021	M.RFC	1.8uH		2%	1008CS-182XGLC	L1691688		1-	A	B2
L 3022	M.RFC	1uH		2%	1008CS-102XGLC	L1691685		1-	A	B2
L 3023	M.RFC	0.56uH		2%	1008CS-561XGLC	L1691679		1-	A	C2
L 3024	M.RFC	0.39uH		2%	1008CS-391XGLC	L1691677		1-	A	C2
L 3025	M.RFC	0.15uH		2%	1008CS-151XGLC	L1691672		1-	A	C2
L 3026	CHIP COIL	0.1uH		2%	C2520C-R10G-RA	L1691294		1-	A	C2
L 3027	CHIP COIL	1uH		2%	C2520C-1R0G-RA	L1691309		1-	A	D2
L 3028	CHIP COIL	0.56uH		2%	C2520C-R56G-RA	L1691303		1-	A	D2
L 3029	CHIP COIL	0.39uH		2%	C2520C-R39G-RA	L1691301		1-	A	D2
L 3030	M.RFC	3.3uH		2%	1008CS-332XGLC	L1691691		1-	A	A2
L 3031	M.RFC	1.2uH		2%	1008CS-122XGLC	L1691686		1-	A	B2
L 3032	M.RFC	0.18uH		2%	1008CS-181XGLC	L1691673		1-	A	D2
L 3033	M.RFC	2.7uH		2%	1008CS-272XGLC	L1691690		1-	A	C2
L 3034	M.RFC	1.8uH		2%	1008CS-182XGLC	L1691688		1-	A	C2
L 3035	M.RFC	1.8uH		2%	1008CS-182XGLC	L1691688		1-	A	C2
L 3036	M.RFC	8.2uH		5%	1008LS-822XJLC	L1691482		1-	A	B2
L 3037	M.RFC	8.2uH		5%	1008LS-822XJLC	L1691482		1-	A	B2
L 3038	M.RFC	3.9uH		2%	1008CS-392XGLC	L1691692		1-	A	B2
L 3039	M.RFC	2.7uH		2%	1008CS-272XGLC	L1691690		1-	A	C2
L 3040	M.RFC	1000uH			LLM3225-102J	L1691157		1-	A	A2
L 3041	CHIP COIL	0.082uH		2%	C2520C-82NG-RA	L1691293		1-	A	D2
L 3042	CHIP COIL	0.047uH		2%	C2520C-47NG-RA	L1691290		1-	A	D2
L 3043	CHIP COIL	0.033uH		2%	C2520C-33NG-RA	L1691288		1-	A	E2
L 3044	CHIP COIL	6.8uH		5%	NLV25T-6R8J-PF	L1691434		1-	A	A2
L 3045	M.RFC	3.9uH		2%	1008CS-392XGLC	L1691692		1-	A	A2
L 3046	M.RFC	0.56uH		2%	1008CS-561XGLC	L1691679		1-	A	D2
L 3047	CHIP COIL	0.39uH		2%	C2520C-R39G-RA	L1691301		1-	A	D2
L 3048	CHIP COIL	15uH		5%	NLV25T-150J-PF	L1691438		1-	A	A2
L 3049	M.RFC	2.7uH		2%	1008CS-272XGLC	L1691690		1-	A	B2
L 3050	M.RFC	0.47uH		2%	1008CS-471XGLC	L1691678		1-	A	B2
L 3051	M.RFC	0.27uH		2%	1008CS-271XGLC	L1691675		1-	A	B2
L 3052	M.RFC	0.18uH		2%	1008CS-181XGLC	L1691673		1-	A	C2
L 3053	M.RFC	0.15uH		2%	1008CS-151XGLC	L1691672		1-	A	C2
L 3054	M.RFC	0.1uH		2%	1008CS-101XGLC	L1691670		1-	A	C2
L 3055	M.RFC	0.047uH		2%	1008CS-470XGLC	L1691666		1-	A	C2
L 3056	CHIP COIL	1uH		2%	C2520C-1R0G-RA	L1691309		1-	A	D2
L 3057	CHIP COIL	0.56uH		2%	C2520C-R56G-RA	L1691303		1-	A	D2
L 3058	CHIP COIL	0.33uH		2%	C2520C-R33G-RA	L1691300		1-	A	E2
L 3059	CHIP COIL	0.27uH		2%	C2520C-R27G-RA	L1691299		1-	A	D2
L 3060	CHIP COIL	0.1uH		2%	C2520C-R10G-RA	L1691294		1-	A	D3
L 3061	CHIP COIL	0.33uH		2%	C2520C-R33G-RA	L1691300		1-	A	D2
L 3062	CHIP COIL	27uH		5%	NLV25T-270J-PF	L1691441		1-	A	A3
L 3063	CHIP COIL	10uH		5%	NLV25T-100J-PF	L1691436		1-	A	E3
L 3064	CHIP COIL	0.15uH		2%	C2520C-R15G-RA	L1691296		1-	A	D3
L 3065	CHIP COIL	0.15uH		2%	C2520C-R15G-RA	L1691296		1-	A	D3
L 3066	M.RFC	47uH			LLM3225-470J	L1691141		1-	A	D3
L 3067	M.RFC	8.2uH		5%	1008LS-822XJLC	L1691482		1-	A	B3
L 3068	M.RFC	8.2uH		5%	1008LS-822XJLC	L1691482		1-	A	B3
L 3069	M.RFC	3.9uH		2%	1008CS-392XGLC	L1691692		1-	A	B3
L 3070	M.RFC	2.7uH		2%	1008CS-272XGLC	L1691690		1-	A	C3
L 3071	M.RFC	2.7uH		2%	1008CS-272XGLC	L1691690		1-	A	C3
L 3072	M.RFC	1.8uH		2%	1008CS-182XGLC	L1691688		1-	A	C3
L 3073	M.RFC	1.8uH		2%	1008CS-182XGLC	L1691688		1-	A	C3
L 3074	CHIP COIL	15uH		5%	NLV25T-150J-PF	L1691438		1-	A	A3
L 3075	M.RFC	3.3uH		2%	1008CS-332XGLC	L1691691		1-	A	A3
L 3076	M.RFC	1.2uH		2%	1008CS-122XGLC	L1691686		1-	A	B3
L 3077	M.RFC	0.18uH		2%	1008CS-181XGLC	L1691673		1-	A	D3
L 3078	M.RFC	8.2uH		5%	1008LS-822XJLC	L1691482		1-	A	B3
L 3079	M.RFC	1.8uH		2%	1008CS-182XGLC	L1691688		1-	A	B3
L 3080	M.RFC	1uH		2%	1008CS-102XGLC	L1691685		1-	A	B3
L 3081	M.RFC	0.56uH		2%	1008CS-561XGLC	L1691679		1-	A	C3
L 3082	M.RFC	0.39uH		2%	1008CS-391XGLC	L1691677		1-	A	C3

MAIN Unit Parts List

REF	DESCRIPTION	VALUE	V/W	TOL.	MFR'S DESIG	YAESU P/N	VERS.	LOT	SIDE	LAY ADR
L 3083	M.RFC	0.15uH		2%	1008CS-151XGLC	L1691672		1-	A	C3
L 3084	CHIP COIL	0.1uH		2%	C2520C-R10G-RA	L1691294		1-	A	C3
L 3085	CHIP COIL	10uH		5%	NLV25T-100J-PF	L1691436		1-	B	e3
L 3086	CHIP COIL	0.22uH		2%	LQW18ANR22G00D	L1690896		1-	A	D3
L 3087	M.RFC	1000uH			LLM3225-102J	L1691157		1-	B	g2
L 3088	M.RFC	1000uH			LLM3225-102J	L1691157		1-	A	A3
L 3089	M.RFC	3.9uH			LLM3225-3R9J	L1691128		1-	A	B2
L 3090	CHIP COIL	0.1uH		2%	C2520C-R10G-RA	L1691294		1-	A	B3
L 3091	M.RFC	3.3uH			LLM3225-3R3J	L1691127		1-	A	A2
L 3092	M.RFC	1000uH			LLM3225-102J	L1691157		1-	B	h2
L 3093	CHIP COIL	0.18uH		2%	C2520C-R18G-RA	L1691297		1-	A	A3
L 3094	M.RFC	3.3uH			LLM3225-3R3J	L1691127		1-	A	A2
L 3095	CHIP COIL	0.1uH		2%	C2520C-R10G-RA	L1691294		1-	A	A3
L 3096	M.RFC	3.9uH			LLM3225-3R9J	L1691128		1-	A	A2
L 3097	M.RFC	47uH			LLM3225-470J	L1691141		1-	A	A3
L 3098	COIL 10RF	0.175uH			144-06J12SL	L0023359		1-	A	A4
L 3099	M.RFC	0.15uH		2%	1008CS-151XGLC	L1691672		1-	A	A4
L 3100	M.RFC	470uH			LLM3225-471J	L1691153		1-	A	A7
L 3101	M.RFC	470uH			LLM3225-471J	L1691153		1-	A	A7
L 3102	M.RFC	470uH			LLM3225-471J	L1691153		1-	A	A6
L 3103	M.RFC	47uH			LLM3225-470J	L1691141		1-	A	B4
L 3104	CHIP COIL	0.15uH		2%	LQW2UASR15G00L	L1691942		1-	A	B5
L 3105	M.RFC	27uH		5%	1812CS-273XJLC	L1692038		1-	A	A7
L 3106	M.RFC	10uH		5%	1812CS-103XJLC	L1692028		1-	A	A7
L 3107	CHIP COIL	0.15uH		2%	LQW2UASR15G00L	L1691942		1-	A	B5
L 3108	M.RFC	27uH		5%	1812CS-273XJLC	L1692038		1-	A	B6
L 3109	M.RFC	10uH		5%	1812CS-103XJLC	L1692028		1-	A	B7
L 3110	CHIP COIL	150uH		10%	LQH43CN151K03L	L1692220		1-	A	B4
L 3111	M.RFC	1uH		2%	1008CS-102XGLC	L1691685		1-	A	A5
L 3112	M.RFC	470uH			LLM3225-471J	L1691153		1-	A	B7
L 3113	M.RFC	470uH			LLM3225-471J	L1691153		1-	A	C7
L 3114	M.RFC	470uH			LLM3225-471J	L1691153		1-	A	C7
L 3116	M.RFC	1uH		2%	1008CS-102XGLC	L1691685		1-	A	A6
L 3117	M.RFC	47uH			LLM3225-470J	L1691141		1-	A	A6
L 3119	M.RFC	1.5uH		2%	1008CS-152XGLC	L1691687		1-	A	D6
L 3120	CHIP COIL	1.2uH		2%	C2520C-1R2G-RA	L1691310		1-	A	D5
L 3121	M.RFC	0.15uH		2%	1008CS-151XGLC	L1691672		1-	A	C4
L 3124	M.RFC	0.22uH		2%	1008CS-221XGLC	L1691674		1-	A	C4
L 3125	CHIP COIL	1.2uH		2%	C2520C-1R2G-RA	L1691310		1-	A	D6
L 3126	CHIP COIL	150uH		10%	LQH43CN151K03L	L1692220		1-	A	C4
L 3127	M.RFC	0.12uH		2%	1008CS-121XGLC	L1691671		1-	A	C4
L 3128	CHIP COIL	47uH		10%	LQH43CN470K03L	L1692219		1-	A	D6
L 3129	M.RFC	2.2uH		2%	1812CS-222XGLC	L1692012		1-	A	B6
L 3130	M.RFC	2.2uH		2%	1812CS-222XGLC	L1692012		1-	A	C6
L 3132	M.RFC	0.18uH		2%	1008CS-181XGLC	L1691673		1-	A	D2
L 3133	M.RFC	0.18uH		2%	1008CS-181XGLC	L1691673		1-	A	D2
L 3134	M.RFC	0.27uH		2%	1008CS-271XGLC	L1691675		1-	A	D3
L 3135	M.RFC	0.18uH		2%	1008CS-181XGLC	L1691673		1-	A	D2
L 3141	CHIP COIL	27uH		5%	NLV25T-270J-PF	L1691441		1-	A	A2
L 3142	CHIP COIL	27uH		5%	NLV25T-270J-PF	L1691441		1-	A	A2
L 3143	CHIP COIL	8.2uH		5%	NLV25T-8R2J-PF	L1691435		1-	A	A2
L 3144	M.RFC	0.15uH		2%	1008CS-151XGLC	L1691672		1-	A	A4
L 3145	CHIP COIL	0.018uH		2%	C2520C-18NG-RA	L1691285		1-	A	D4
L 3146	CHIP COIL	0.027uH		2%	C2520C-27NG-RA	L1691287		1-	A	C4
L 3147	CHIP COIL	0.18uH		2%	LQW18ANR18G00D	L1690895		1-	A	C4
L 3148	CHIP COIL	0.12uH		2%	LQW18ANR12G00D	L1690893		1-	A	C4
L 3149	CHIP COIL	0.12uH		2%	LQW18ANR12G00D	L1690893		1-	A	C4
L 3150	CHIP COIL	0.018uH		2%	C2520C-18NG-RA	L1691285		1-	A	D4
L 3151	CHIP COIL	0.027uH		2%	C2520C-27NG-RA	L1691287		1-	A	D4
L 3160	CHIP COIL	0.018uH		2%	C2520C-18NG-RA	L1691285		1-	A	D3
L 3161	CHIP COIL	0.027uH		2%	C2520C-27NG-RA	L1691287		1-	A	D3
L 3162	CHIP COIL	0.068uH		2%	LQW18AN68NG00D	L1690890		1-	A	C3
L 3163	CHIP COIL	0.068uH		2%	LQW18AN68NG00D	L1690890		1-	A	C3
L 3164	CHIP COIL	0.12uH		2%	LQW18ANR12G00D	L1690893		1-	A	C3
L 3165	CHIP COIL	0.1uH		2%	C2520C-R10G-RA	L1691294		1-	A	D3
L 3166	CHIP COIL	0.1uH		2%	C2520C-R10G-RA	L1691294		1-	A	D3
L 3167	CHIP COIL	0.1uH		2%	C2520C-R10G-RA	L1691294		1-	A	D3
L 3168	M.RFC	0.12uH		2%	1008CS-121XGLC	L1691671		1-	A	C4
L 3169	M.RFC	0.62uH		2%	1008CS-621XGLC	L1691680		1-	A	C4
L 3170	M.RFC	0.62uH		2%	1008CS-621XGLC	L1691680		1-	A	C4
L 3171	M.RFC	0.62uH		2%	1008CS-621XGLC	L1691680		1-	A	C4
L 3172	CHIP COIL	0.039uH		2%	C2520C-39NG-RA	L1691289		1-	A	D5
L 3173	M.RFC	1000uH			LLM3225-102J	L1691157		1-	B	f4
L 3174	CHIP COIL	10uH		5%	NLV25T-100J-PF	L1691436		1-	A	C3
L 3175	CHIP COIL	10uH		5%	NLV25T-100J-PF	L1691436		1-	A	C3

MAIN Unit Parts List

REF	DESCRIPTION	VALUE	V/W	TOL.	MFR'S DESIG	YAESU P/N	VERS.	LOT	SIDE	LAY ADR
L 3176	M.RFC	1000uH			LLM3225-102J	L1691157		1-	B	f4
L 3177	M.RFC	1000uH			LLM3225-102J	L1691157		1-	B	e4
L 3178	M.RFC	470uH			LLM3225-471J	L1691153		1-	A	B6
L 3179	M.RFC	470uH			LLM3225-471J	L1691153		1-	A	D6
L 3180	M.RFC	1000uH			LLM3225-102J	L1691157		1-	B	h2
L 3181	M.RFC	1000uH			LLM3225-102J	L1691157		1-	B	h2
L 3182	CHIP COIL	0.27uH		2%	C2012CB-R27G	L1692211		1-	A	D6
L 3183	M.RFC	1.8uH		2%	1008CS-182XGLC	L1691688		1-	B	g2
L 3184	CHIP COIL	0.22uH		2%	C2520C-R22G-RA	L1691298		1-	A	D2
Q 1001	TRANSISTOR				2SD2403GY-T1	G3424038Y		1-	B	h1
Q 1002	TRANSISTOR				DTC114YUA T106	G3070298		1-	A	H7
Q 1003	FET				RRR030P03	G3070448		1-	A	H7
Q 1004	IC				NJM2835DL1-33-TE1	G1095324		1-	A	H7
Q 1005	IC				5M40ZE64I5N-YR2326	G1095738		1-	A	E6
Q 1006	IC				NJM7805DL1A	G1094379		1-	A	H5
Q 1007	IC				SN74LV4052APWR	G1093869		1-	A	E6
Q 1008	IC				SN74LV4052APWR	G1093869		1-	A	E6
Q 1009	POLY SWITCH				NANOSMDC035F-02	G9090167		1-	A	H5
Q 1010	IC				TPS3808G12DRVR	G1095176		1-	A	G7
Q 1011	POLY SWITCH				MINISMDC150F/16	G9090183		1-	A	A1
Q 1012	TRANSISTOR				2SD2403GY-T1	G3424038Y		1-	A	H6
Q 1013	IC				TPS3808G12DRVR	G1095176		1-	A	G7
Q 1014	IC				SN74LVC04APWR	G1094177		1-	A	F6
Q 1015	IC				TC7SZU04FU	G1095606		1-	A	F2
Q 1016	TRANSISTOR				2SC4081 T106 R	G3340818R		1-	A	G2
Q 1017	IC				SN74LVC1G14DCKR	G1095586		1-	A	F2
Q 1019	TRANSISTOR				2SA1576A T106 R	G3115768R		1-	A	F7
Q 1020	TRANSISTOR				2SA1576A T106 R	G3115768R		1-	A	F7
Q 1021	IC				TAR5S33U(TE85L.F)	G1094549		1-	A	G2
Q 1022	IC				TA75S01F(TE85R.F)	G1091593		1-	A	G2
Q 1023	TRANSISTOR				UMG2N TR	G3070088		1-	A	G6
Q 1024	IC				TC7SZU04FU	G1095606		1-	A	E2
Q 1025	FET				RRR030P03	G3070448		1-	A	G6
Q 1026	FET				RRR030P03	G3070448		1-	A	G6
Q 1028	IC				CD74HC238PWR	G1094275		1-	A	G7
Q 1030	IC				SN74LVC2G08DCTR	G1094341		1-	A	G6
Q 1032	IC				SN74HCT04PWR	G1094484		1-	A	E6
Q 1033	IC				SN74LVC2G08DCTR	G1094341		1-	A	G6
Q 1034	IC				MB85RS256APNF-G-JNERE1	G1094985		1-	A	G6
Q 1035	TRANSISTOR				DTC114YUA T106	G3070298		1-	A	F6
Q 1036	TRANSISTOR				DTC114YUA T106	G3070298		1-	A	G6
Q 1037	IC				R5F61645N50FPV	G1095556		1-	A	F6
Q 1038	TRANSISTOR				2SA1576A T106 R	G3115768R		1-	A	H7
Q 1039	TRANSISTOR				DTC114YUA T106	G3070298		1-	A	E6
Q 1040	TRANSISTOR				DTC114YUA T106	G3070298		1-	A	G6
Q 1041	TRANSISTOR				2SA1576A T106 R	G3115768R		1-	A	F7
Q 1042	TRANSISTOR				DTC114YUA T106	G3070298		1-	A	H6
Q 1043	TRANSISTOR				DTC114YUA T106	G3070298		1-	A	G6
Q 1044	FET				RRR030P03	G3070448		1-	A	H6
Q 1045	IC				NJM78L05UA-TE1	G1091325		1-	A	H2
Q 1047	IC				TPS76301DBVR	G1094152		1-	A	E6
Q 1049	IC				BU2505FV-E2	G1093714		1-	A	E6
Q 1050	IC				LM2904PWR	G1094010		1-	A	F7
Q 1051	TRANSISTOR				2SA1576A T106 R	G3115768R		1-	A	F7
Q 1052	TRANSISTOR				DTC114YUA T106	G3070298		1-	A	G6
Q 1079	IC				SN74LVC3G17DCTR	G1094419		1-	A	G5
Q 1080	IC				SN74LVC3G17DCTR	G1094419		1-	A	F5
Q 1081	IC				LM2904PWR	G1094010		1-	A	F4
Q 1801	IC				EP102C	G1095596		1-	A	H2
Q 1803	IC				EP952	G1095598		1-	A	H1
Q 1805	IC				EPF021M-YM	G1095594		1-	A	H1
Q 1806	IC				TPS2042BDR	G1095612		1-	A	G1
Q 2001	IC				TLV320AIC3204IRHBR	G1095037		1-	A	G4
Q 2002	IC				SN74AUP2G34DCKR	G1095546		1-	A	F3
Q 2003	IC				R5F56519ADFP	G1095650		1-	A	H6
Q 2004	IC				TPS3808G12DRVR	G1095176		1-	A	G3
Q 2005	IC				SN74AUP2G34DCKR	G1095546		1-	A	G4
Q 2008	IC				S29GL064S70BHI040-YR2234	G1095709		1-	A	F3
Q 2009	IC				SN74LVC157APWR	G1095548		1-	A	G3
Q 2010	IC				SN74LVC1G32DCKR	G1095550		1-	A	G3
Q 2026	IC				TMS320C6746EZWT3	G1095068		1-	A	F3
Q 2029	IC				NJM2732RB1-TE1	G1095540		1-	A	F4
Q 2030	IC				NJM2732RB1-TE1	G1095540		1-	A	F4
Q 2037	IC				NJM2732RB1-TE1	G1095540		1-	A	G5
Q 2038	IC				NJM2732RB1-TE1	G1095540		1-	A	H5

MAIN Unit

Parts List

REF	DESCRIPTION	VALUE	V/W	TOL.	MFR'S DESIG	YAESU P/N	VERS.	LOT	SIDE	LAY ADR
Q 2039	IC				NJM2732RB1-TE1	G1095540		1-	A	G5
Q 2040	IC				SN74AUP2G34DCKR	G1095546		1-	A	G6
Q 2501	TRANSISTOR				2SC4081 T106 R	G3340818R		1-	A	F2
Q 2502	FET				RTM002P02(TAPE)	G3070347		1-	A	F2
Q 2503	IC				ADM202EARUZ-REEL	G1092958		1-	B	g1
Q 2504	TRANSISTOR				DTC144EUA T106	G3070041		1-	A	E4
Q 2505	TRANSISTOR				2SC4081 T106 R	G3340818R		1-	A	F2
Q 2506	IC				USB2512BI-AEZG	G1094881		1-	A	F1
Q 2507	FET				RTM002P02(TAPE)	G3070347		1-	A	F2
Q 2508	TRANSISTOR				DTC144EUA T106	G3070041		1-	A	F4
Q 2509	TRANSISTOR				2SC4081 T106 R	G3340818R		1-	A	G2
Q 2510	FET				RTM002P02(TAPE)	G3070347		1-	A	G2
Q 2513	IC				CD74HCT4053PWR	G1094273		1-	B	d4
Q 2514	IC				XC6221B332MR-G	G1094968		1-	A	G1
Q 2515	IC				TC7SH86FU,LJ(CT	G1094078		1-	A	E3
Q 2516	IC				CP2105-F01-GMR	G1094981		1-	B	c1
Q 2519	IC				SN74LVC2G74DCUR	G1095616		1-	A	E3
Q 2521	TRANSISTOR				UMH11N TN	G3070212		1-	B	b1
Q 2525	IC				NJM2172V-TE1	G1095083		1-	A	E3
Q 2526	TRANSISTOR				UMH11N TN	G3070212		1-	B	b1
Q 2527	IC				TC7SH08FU(TE85L.JF)	G1094736		1-	A	F1
Q 2528	IC				CD74HCT4053PWR	G1094273		1-	B	d4
Q 2529	IC				CD74HCT4053PWR	G1094273		1-	B	d4
Q 2530	IC				R2A20178NP	G1094776		1-	A	E4
Q 2531	IC				PCM2903CDBR	G1095588		1-	A	F2
Q 2535	TRANSISTOR				DTC144EUA T106	G3070041		1-	A	E3
Q 2537	IC				CD4052BPWR	G1093862		1-	A	G1
Q 2539	TRANSISTOR				DTC144EUA T106	G3070041		1-	A	E3
Q 2540	TRANSISTOR				2SD1628G-TD-E	G3416288		1-	A	E6
Q 2541	TRANSISTOR				2SA1576A T106 R	G3115768R		1-	A	E6
Q 2542	TRANSISTOR				2SC4081 T106 R	G3340818R		1-	A	E6
Q 2543	TRANSISTOR				2SA1576A T106 R	G3115768R		1-	A	C6
Q 2544	TRANSISTOR				2SC4081 T106 R	G3340818R		1-	A	D6
Q 2545	IC				SN74HCT04PWR	G1094484		1-	A	E5
Q 2546	IC				BU2152FS(TAPE)	G1093942		1-	A	E5
Q 2547	TRANSISTOR				2SC4116GR(TE85L.F)	G3341168G		1-	A	E5
Q 2548	IC				TDA2003G-TA5-T	G1095316		1-	A	D7
Q 2549	IC				LM2904PWR	G1094010		1-	A	E4
Q 2550	IC				LM2904PWR	G1094010		1-	A	F4
Q 2551	IC				BU4066BCFV-E2	G1093537		1-	A	E4
Q 2552	IC				LM2904PWR	G1094010		1-	A	F4
Q 2553	IC				LM2904PWR	G1094010		1-	B	e7
Q 2556	IC				LM2904PWR	G1094010		1-	A	F4
Q 2557	IC				LM2902PWR	G1094009		1-	A	E5
Q 2558	IC				LM2904PWR	G1094010		1-	A	E4
Q 2559	IC				LM2902PWR	G1094009		1-	A	F2
Q 2564	IC				LM2902PWR	G1094009		1-	A	D5
Q 2565	IC				TC75S51FU(TE85L.F)	G1094194		1-	A	F4
Q 3001	TRANSISTOR				UMD5N TR	G3070343		1-	A	A1
Q 3002	TRANSISTOR				UMD5N TR	G3070343		1-	A	A1
Q 3003	TRANSISTOR				55GN01CA-TB-E	G3070550		1-	A	D3
Q 3004	TRANSISTOR				UMD5N TR	G3070343		1-	A	B1
Q 3005	TRANSISTOR				DTC114EUA T106	G3070084		1-	A	D1
Q 3006	TRANSISTOR				DTC114EUA T106	G3070084		1-	B	h1
Q 3007	TRANSISTOR				DTC114EUA T106	G3070084		1-	B	h1
Q 3008	TRANSISTOR				DTC114EUA T106	G3070084		1-	B	h1
Q 3009	TRANSISTOR				DTC114EUA T106	G3070084		1-	B	h1
Q 3010	TRANSISTOR				DTC114EUA T106	G3070084		1-	B	h1
Q 3011	TRANSISTOR				DTC114EUA T106	G3070084		1-	B	g1
Q 3012	TRANSISTOR				DTC114EUA T106	G3070084		1-	B	g1
Q 3013	TRANSISTOR				DTC114EUA T106	G3070084		1-	A	C1
Q 3014	TRANSISTOR				DTC114EUA T106	G3070084		1-	A	C1
Q 3015	TRANSISTOR				DTC114EUA T106	G3070084		1-	A	C1
Q 3016	TRANSISTOR				DTC114EUA T106	G3070084		1-	A	D1
Q 3017	TRANSISTOR				DTC114EUA T106	G3070084		1-	A	D1
Q 3018	TRANSISTOR				DTC114EUA T106	G3070084		1-	A	D1
Q 3019	TRANSISTOR				DTC114EUA T106	G3070084		1-	A	D1
Q 3020	TRANSISTOR				DTC114EUA T106	G3070084		1-	B	g1
Q 3021	IC				BU2152FS(TAPE)	G1093942		1-	B	d2
Q 3022	TRANSISTOR				DTC114EUA T106	G3070084		1-	A	E2
Q 3023	TRANSISTOR				DTC114EUA T106	G3070084		1-	A	E2
Q 3024	TRANSISTOR				2SD1664 T100 Q	G3416647Q		1-	A	A6
Q 3025	TRANSISTOR				DTC114EUA T106	G3070084		1-	A	E2
Q 3026	TRANSISTOR				BFQ19SH6327	G3070552		1-	A	A3
Q 3027	TRANSISTOR				UMD5N TR	G3070343		1-	B	g3

MAIN Unit Parts List

REF	DESCRIPTION	VALUE	V/W	TOL.	MFR'S DESIG	YAESU P/N	VERS.	LOT	SIDE	LAY ADR
Q 3029	IC				74FST3257DTR2G	G1095715		1-	A	A5
Q 3030	TRANSISTOR				55GN01CA-TB-E	G3070550		1-	A	B3
Q 3031	IC				BGA614H6327XTSA1	G1095732		1-	A	B4
Q 3032	IC				TA75S01F(TE85R.F)	G1091593		1-	A	B5
Q 3033	TRANSISTOR				2SD1664 T100 Q	G3416647Q		1-	A	A5
Q 3034	FET				RD01MUS2-T513	G3070544		1-	A	C5
Q 3035	IC				F2255NLGK8	G1095332		1-	A	B4
Q 3036	IC				TAR5S30U(TE85L.F)	G1094596		1-	A	C3
Q 3037	TRANSISTOR				2SD1664 T100 Q	G3416647Q		1-	A	B5
Q 3038	IC				BD00HA3WEFJ-E2	G1095212		1-	A	B6
Q 3039	IC				F2255NLGK8	G1095332		1-	A	C5
Q 3040	TRANSISTOR				BFQ19SH6327	G3070552		1-	A	A6
Q 3041	IC				BGA614H6327XTSA1	G1095732		1-	A	D6
Q 3042	IC				BGA614H6327XTSA1	G1095732		1-	A	C4
Q 3043	TRANSISTOR				UMD5N TR	G3070343		1-	A	D4
Q 3045	TRANSISTOR				DTC114EUA T106	G3070084		1-	A	E2
Q 3046	TRANSISTOR				DTC114EUA T106	G3070084		1-	A	D1
Q 3047	TRANSISTOR				DTC114EUA T106	G3070084		1-	A	D1
Q 3048	TRANSISTOR				DTC114EUA T106	G3070084		1-	A	D1
Q 3052	TRANSISTOR				DTC114EUA T106	G3070084		1-	B	g2
R 1001	CHIP RES.	15	1W	5%	RMC1 150JTE	J24305150		1-	A	H6
R 1002	CHIP RES.	10k	1/16W	5%	RMC1/16S 103JTH	J24189037		1-	A	H7
R 1003	CHIP RES.	6.8	1W	5%	RMC1 6R8JTE	J24305689		1-	A	H5
R 1004	CHIP RES.	0	1/16W	5%	RMC1/16S JPTH	J24189070		1-	A	E6
R 1005	CHIP RES.	0	1/16W	5%	RMC1/16S JPTH	J24189070		1-	A	E6
R 1006	CHIP RES.	0	1/16W	5%	RMC1/16S JPTH	J24189070		1-	A	E6
R 1007	CHIP RES.	0	1/16W	5%	RMC1/16S JPTH	J24189070		1-	A	E6
R 1008	CHIP RES.	0	1/16W	5%	RMC1/16S JPTH	J24189070		1-	A	E6
R 1009	CHIP RES.	0	1/16W	5%	RMC1/16S JPTH	J24189070		1-	A	E6
R 1010	CHIP RES.	10k	1/16W	5%	RMC1/16S 103JTH	J24189037		1-	A	H7
R 1011	CHIP RES.	0	1/16W	5%	RMC1/16S JPTH	J24189070		1-	A	E6
R 1012	CHIP RES.	1M	1/16W	5%	RMC1/16S 105JTH	J24189061		1-	A	F2
R 1013	CHIP RES.	470	1/16W	5%	RMC1/16S 471JTH	J24189021		1-	A	G2
R 1014	CHIP RES.	0	1/16W	5%	RMC1/16S JPTH	J24189070		1-	A	E3
R 1015	CHIP RES.	10	1/16W	5%	RMC1/16S 100JTH	J24189001		1-	A	F2
R 1016	CHIP RES.	10k	1/16W	5%	RMC1/16S 103JTH	J24189037		1-	A	F6
R 1018	CHIP RES.	0	1/16W	5%	RMC1/16S JPTH	J24189070		1-	A	G6
R 1020	CHIP RES.	0	1/16W	5%	RMC1/16S JPTH	J24189070		1-	A	E5
R 1021	CHIP RES.	0	1/16W	5%	RMC1/16S JPTH	J24189070		1-	A	E5
R 1022	CHIP RES.	0	1/16W	5%	RMC1/16S JPTH	J24189070		1-	A	E5
R 1023	CHIP RES.	0	1/16W	5%	RMC1/16S JPTH	J24189070		1-	A	E5
R 1024	CHIP RES.	1M	1/16W	5%	RMC1/16S 105JTH	J24189061		1-	A	E2
R 1025	CHIP RES.	0	1/16W	5%	RMC1/16S JPTH	J24189070		1-	A	E6
R 1026	CHIP RES.	0	1/16W	5%	RMC1/16S JPTH	J24189070		1-	A	E6
R 1027	CHIP RES.	0	1/16W	5%	RMC1/16S JPTH	J24189070		1-	A	G6
R 1030	CHIP RES.	68k	1/16W	5%	RMC1/16S 683JTH	J24189047		1-	A	G7
R 1031	CHIP RES.	10k	1/16W	5%	RMC1/16S 103JTH	J24189037		1-	A	G7
R 1032	CHIP RES.	0	1/16W	5%	RMC1/16S JPTH	J24189070		1-	A	E3
R 1034	CHIP RES.	0	1/16W	5%	RMC1/16S JPTH	J24189070		1-	A	F2
R 1037	CHIP RES.	10k	1/16W	5%	RMC1/16S 103JTH	J24189037		1-	A	G7
R 1039	CHIP RES.	0	1/16W	5%	RMC1/16S JPTH	J24189070		1-	A	H3
R 1044	CHIP RES.	1k	1/16W	5%	RMC1/16S 102JTH	J24189025		1-	A	G6
R 1046	CHIP RES.	100k	1/16W	5%	RMC1/16S 104JTH	J24189049		1-	A	G7
R 1049	CHIP RES.	10k	1/16W	5%	RMC1/16S 103JTH	J24189037		1-	A	E6
R 1053	CHIP RES.	100	1/16W	5%	RMC1/16S 101JTH	J24189013		1-	A	F2
R 1055	CHIP RES.	100k	1/16W	5%	RMC1/16S 104JTH	J24189049		1-	A	G7
R 1060	CHIP RES.	10k	1/16W	5%	RMC1/16S 103JTH	J24189037		1-	A	G7
R 1061	CHIP RES.	1k	1/16W	5%	RMC1/16S 102JTH	J24189025		1-	A	G7
R 1062	CHIP RES.	10k	1/16W	5%	RMC1/16S 103JTH	J24189037		1-	A	G6
R 1063	CHIP RES.	10k	1/16W	5%	RMC1/16S 103JTH	J24189037		1-	A	G6
R 1064	CHIP RES.	220	1/16W	5%	RMC1/16S 221JTH	J24189017		1-	A	E7
R 1065	CHIP RES.	220	1/16W	5%	RMC1/16S 221JTH	J24189017		1-	A	E7
R 1066	CHIP RES.	220	1/16W	5%	RMC1/16S 221JTH	J24189017		1-	A	E7
R 1071	CHIP RES.	8.2k	1/16W	1%	RMC1/16SK822FTH	J24189522		1-	A	G2
R 1072	CHIP RES.	220	1/16W	5%	RMC1/16S 221JTH	J24189017		1-	A	E7
R 1073	CHIP RES.	220	1/16W	5%	RMC1/16S 221JTH	J24189017		1-	A	E7
R 1074	CHIP RES.	220	1/16W	5%	RMC1/16S 221JTH	J24189017		1-	A	E7
R 1075	CHIP RES.	220	1/16W	5%	RMC1/16S 221JTH	J24189017		1-	A	E7
R 1076	CHIP RES.	10k	1/16W	1%	RMC1/16SK103FTH	J24189489		1-	A	G2
R 1077	CHIP RES.	10	1/16W	5%	RMC1/16S 100JTH	J24189001		1-	A	G2
R 1078	CHIP RES.	1k	1/16W	5%	RMC1/16S 102JTH	J24189025		1-	A	G6
R 1079	CHIP RES.	1k	1/16W	5%	RMC1/16S 102JTH	J24189025		1-	A	G6
R 1080	CHIP RES.	6.8k	1/16W	1%	RMC1/16SK682FTH	J24189521		1-	A	G2
R 1081	CHIP RES.	1.5k	1/16W	1%	RMC1/16SK152FTH	J24189496		1-	A	G2
R 1090	CHIP RES.	1.5k	1/16W	1%	RMC1/16SK152FTH	J24189496		1-	A	G2

MAIN Unit Parts List

REF	DESCRIPTION	VALUE	V/W	TOL.	MFR'S DESIG	YAESU P/N	VERS.	LOT	SIDE	LAY ADR
R 1095	CHIP RES.	10k	1/16W	5%	RMC1/16S 103JTH	J24189037		1-	A	G5
R 1096	CHIP RES.	10k	1/16W	5%	RMC1/16S 103JTH	J24189037		1-	A	G5
R 1097	CHIP RES.	10k	1/16W	5%	RMC1/16S 103JTH	J24189037		1-	A	G5
R 1098	CHIP RES.	220	1/16W	5%	RMC1/16S 221JTH	J24189017		1-	B	h1
R 1099	CHIP RES.	10k	1/16W	5%	RMC1/16S 103JTH	J24189037		1-	A	G5
R 1100	CHIP RES.	10k	1/16W	5%	RMC1/16S 103JTH	J24189037		1-	A	G6
R 1101	CHIP RES.	10k	1/16W	5%	RMC1/16S 103JTH	J24189037		1-	A	G5
R 1102	CHIP RES.	220	1/16W	5%	RMC1/16S 221JTH	J24189017		1-	B	h1
R 1103	CHIP RES.	1k	1/16W	5%	RMC1/16 102JATP	J24185102		1-	B	h1
R 1104	CHIP RES.	1k	1/16W	5%	RMC1/16S 102JTH	J24189025		1-	B	h1
R 1106	CHIP RES.	0	1/16W	5%	RMC1/16S JPTH	J24189070		1-	B	f1
R 1108	CHIP RES.	10k	1/16W	5%	RMC1/16S 103JTH	J24189037		1-	A	F5
R 1109	CHIP RES.	10k	1/16W	5%	RMC1/16S 103JTH	J24189037		1-	A	F5
R 1110	CHIP RES.	10k	1/16W	5%	RMC1/16S 103JTH	J24189037		1-	A	F5
R 1111	CHIP RES.	10k	1/16W	5%	RMC1/16S 103JTH	J24189037		1-	A	F5
R 1112	CHIP RES.	10k	1/16W	5%	RMC1/16S 103JTH	J24189037		1-	A	F6
R 1113	CHIP RES.	10k	1/16W	5%	RMC1/16S 103JTH	J24189037		1-	A	F5
R 1114	CHIP RES.	3.3k	1/16W	5%	RMC1/16S 332JTH	J24189031		1-	A	F4
R 1115	CHIP RES.	39k	1/16W	5%	RMC1/16S 393JTH	J24189044		1-	A	F4
R 1116	CHIP RES.	39k	1/16W	5%	RMC1/16S 393JTH	J24189044		1-	A	F4
R 1117	CHIP RES.	10k	1/16W	5%	RMC1/16S 103JTH	J24189037		1-	A	F4
R 1118	CHIP RES.	27k	1/16W	5%	RMC1/16S 273JTH	J24189042		1-	A	F4
R 1119	CHIP RES.	27k	1/16W	5%	RMC1/16S 273JTH	J24189042		1-	A	F4
R 1120	CHIP RES.	10k	1/16W	5%	RMC1/16S 103JTH	J24189037		1-	A	E4
R 1121	CHIP RES.	47k	1/16W	5%	RMC1/16S 473JTH	J24189045		1-	A	G6
R 1122	CHIP RES.	10k	1/16W	5%	RMC1/16S 103JTH	J24189037		1-	A	E4
R 1126	CHIP RES.	1k	1/16W	5%	RMC1/16S 102JTH	J24189025		1-	B	h1
R 1128	CHIP RES.	220	1/16W	5%	RMC1/16S 221JTH	J24189017		1-	A	F6
R 1129	CHIP RES.	10k	1/16W	5%	RMC1/16S 103JTH	J24189037		1-	A	F6
R 1130	CHIP RES.	100	1/16W	5%	RMC1/16S 101JTH	J24189013		1-	A	F6
R 1131	CHIP RES.	4.7k	1/16W	5%	RMC1/16S 472JTH	J24189033		1-	A	F6
R 1132	CHIP RES.	47k	1/16W	5%	RMC1/16S 473JTH	J24189045		1-	A	G6
R 1133	CHIP RES.	10k	1/16W	5%	RMC1/16S 103JTH	J24189037		1-	A	G6
R 1134	CHIP RES.	10k	1/16W	5%	RMC1/16S 103JTH	J24189037		1-	A	F6
R 1135	CHIP RES.	1k	1/16W	5%	RMC1/16S 102JTH	J24189025		1-	A	F6
R 1136	CHIP RES.	1k	1/16W	5%	RMC1/16S 102JTH	J24189025		1-	A	F6
R 1137	CHIP RES.	0	1/16W	5%	RMC1/16S JPTH	J24189070		1-	A	F7
R 1138	CHIP RES.	1k	1/16W	5%	RMC1/16S 102JTH	J24189025		1-	A	F6
R 1139	CHIP RES.	1k	1/16W	5%	RMC1/16S 102JTH	J24189025		1-	A	F6
R 1141	CHIP RES.	0	1/16W	5%	RMC1/16S JPTH	J24189070		1-	A	F6
R 1142	CHIP RES.	10k	1/16W	5%	RMC1/16S 103JTH	J24189037		1-	A	F6
R 1143	CHIP RES.	0	1/16W	5%	RMC1/16S JPTH	J24189070		1-	B	f1
R 1144	CHIP RES.	10k	1/16W	5%	RMC1/16S 103JTH	J24189037		1-	A	F6
R 1145	CHIP RES.	10k	1/16W	5%	RMC1/16S 103JTH	J24189037		1-	A	F6
R 1146	CHIP RES.	4.7k	1/16W	5%	RMC1/16S 472JTH	J24189033		1-	B	h1
R 1148	CHIP RES.	10k	1/16W	5%	RMC1/16S 103JTH	J24189037		1-	A	F6
R 1149	CHIP RES.	4.7k	1/16W	5%	RMC1/16S 472JTH	J24189033		1-	A	G6
R 1150	CHIP RES.	0	1/16W	5%	RMC1/16S JPTH	J24189070		1-	A	F7
R 1151	CHIP RES.	4.7k	1/16W	5%	RMC1/16S 472JTH	J24189033		1-	A	F7
R 1152	CHIP RES.	4.7k	1/16W	5%	RMC1/16S 472JTH	J24189033		1-	A	F7
R 1153	CHIP RES.	10k	1/16W	5%	RMC1/16S 103JTH	J24189037		1-	A	E6
R 1154	CHIP RES.	10k	1/16W	5%	RMC1/16S 103JTH	J24189037		1-	A	G6
R 1155	CHIP RES.	10k	1/16W	5%	RMC1/16S 103JTH	J24189037		1-	A	G6
R 1156	CHIP RES.	10k	1/16W	5%	RMC1/16S 103JTH	J24189037		1-	A	G6
R 1157	CHIP RES.	10k	1/16W	5%	RMC1/16S 103JTH	J24189037		1-	A	G6
R 1158	CHIP RES.	10k	1/16W	5%	RMC1/16S 103JTH	J24189037		1-	A	E6
R 1161	BLOCK RES.				RAC104D103JCTP	J42900024		1-	A	G6
R 1163	CHIP RES.	4.7k	1/16W	5%	RMC1/16S 472JTH	J24189033		1-	A	G6
R 1164	CHIP RES.	4.7k	1/16W	5%	RMC1/16S 472JTH	J24189033		1-	A	G6
R 1166	CHIP RES.	0	1/16W	5%	RMC1/16S JPTH	J24189070		1-	B	f1
R 1167	CHIP RES.	10	1/16W	5%	RMC1/16S 100JTH	J24189001		1-	A	G6
R 1168	CHIP RES.	0	1/10W	5%	RMC1/10T 000J	J24205000		1-	A	H3
R 1169	CHIP RES.	0	1/10W	5%	RMC1/10T 000J	J24205000		1-	A	H3
R 1170	CHIP RES.	10k	1/16W	5%	RMC1/16S 103JTH	J24189037		1-	A	F7
R 1172	CHIP RES.	220	1/16W	5%	RMC1/16S 221JTH	J24189017		1-	A	E6
R 1173	CHIP RES.	4.7k	1/16W	5%	RMC1/16S 472JTH	J24189033		1-	A	F6
R 1174	CHIP RES.	4.7k	1/16W	5%	RMC1/16S 472JTH	J24189033		1-	A	F6
R 1175	CHIP RES.	47k	1/16W	5%	RMC1/16S 473JTH	J24189045		1-	A	F5
R 1178	CHIP RES.	100k	1/16W	5%	RMC1/16S 104JTH	J24189049		1-	A	G6
R 1180	CHIP RES.	100k	1/16W	5%	RMC1/16S 104JTH	J24189049		1-	A	F6
R 1181	CHIP RES.	100k	1/16W	5%	RMC1/16S 104JTH	J24189049		1-	A	F5
R 1182	CHIP RES.	100k	1/16W	5%	RMC1/16S 104JTH	J24189049		1-	A	F6
R 1183	CHIP RES.	100k	1/16W	5%	RMC1/16S 104JTH	J24189049		1-	A	F6
R 1184	CHIP RES.	0	1/16W	5%	RMC1/16S JPTH	J24189070		1-	B	f1
R 1185	CHIP RES.	4.7k	1/16W	5%	RMC1/16S 472JTH	J24189033		1-	A	F6

MAIN Unit Parts List

REF	DESCRIPTION	VALUE	V/W	TOL.	MFR'S DESIG	YAESU P/N	VERS.	LOT	SIDE	LAY ADR
R 1189	CHIP RES.	47k	1/16W	5%	RMC1/16S 473JTH	J24189045		1-	A	F7
R 1190	CHIP RES.	47k	1/16W	5%	RMC1/16S 473JTH	J24189045		1-	A	F7
R 1191	CHIP RES.	47k	1/16W	5%	RMC1/16S 473JTH	J24189045		1-	A	F7
R 1192	CHIP RES.	47k	1/16W	5%	RMC1/16S 473JTH	J24189045		1-	A	F7
R 1193	CHIP RES.	47k	1/16W	5%	RMC1/16S 473JTH	J24189045		1-	A	F7
R 1194	CHIP RES.	47k	1/16W	5%	RMC1/16S 473JTH	J24189045		1-	A	F7
R 1195	CHIP RES.	47k	1/16W	5%	RMC1/16S 473JTH	J24189045		1-	A	F7
R 1196	CHIP RES.	47k	1/16W	5%	RMC1/16S 473JTH	J24189045		1-	A	F7
R 1197	CHIP RES.	100k	1/16W	5%	RMC1/16S 104JTH	J24189049		1-	A	F6
R 1198	CHIP RES.	100k	1/16W	5%	RMC1/16S 104JTH	J24189049		1-	A	F6
R 1199	CHIP RES.	100k	1/16W	5%	RMC1/16S 104JTH	J24189049		1-	A	F6
R 1201	CHIP RES.	4.7k	1/16W	5%	RMC1/16S 472JTH	J24189033		1-	A	G6
R 1205	CHIP RES.	0	1/10W	5%	RMC1/10T 000J	J24205000		1-	A	G4
R 1206	CHIP RES.	0	1/10W	5%	RMC1/10T 000J	J24205000		1-	A	G4
R 1207	CHIP RES.	1.5k	1/16W	5%	RMC1/16S 152JTH	J24189027		1-	B	h1
R 1208	CHIP RES.	0	1/10W	5%	RMC1/10T 000J	J24205000		1-	A	G1
R 1212	CHIP RES.	470	1/16W	5%	RMC1/16S 471JTH	J24189021		1-	A	H7
R 1213	CHIP RES.	470k	1/16W	5%	RMC1/16S 474JTH	J24189057		1-	A	H7
R 1214	CHIP RES.	4.7k	1/16W	5%	RMC1/16S 472JTH	J24189033		1-	A	H7
R 1215	CHIP RES.	47k	1/16W	5%	RMC1/16S 473JTH	J24189045		1-	A	H6
R 1217	CHIP RES.	1k	1/16W	5%	RMC1/16S 102JTH	J24189025		1-	A	H6
R 1218	CHIP RES.	470k	1/16W	1%	ERJ2RKF4703X	J24189334		1-	A	E6
R 1219	CHIP RES.	120k	1/16W	1%	RMC1/16SK124FTH	J24189530		1-	A	E6
R 1220	CHIP RES.	120k	1/16W	1%	RMC1/16SK124FTH	J24189530		1-	A	E6
R 1222	CHIP RES.	100k	1/16W	5%	RMC1/16S 104JTH	J24189049		1-	A	F6
R 1223	CHIP RES.	0	1/16W	5%	RMC1/16S JPTH	J24189070		1-	A	F7
R 1225	CHIP RES.	1k	1/16W	5%	RMC1/16S 102JTH	J24189025		1-	A	E7
R 1226	CHIP RES.	10k	1/16W	5%	RMC1/16S 103JTH	J24189037		1-	A	E7
R 1227	CHIP RES.	10k	1/16W	5%	RMC1/16S 103JTH	J24189037		1-	A	E6
R 1228	CHIP RES.	0	1/16W	5%	RMC1/16S JPTH	J24189070		1-	B	f1
R 1229	CHIP RES.	100k	1/16W	0.5%	RR0510P-104-D-C	J24189167		1-	A	E6
R 1230	CHIP RES.	1k	1/16W	5%	RMC1/16S 102JTH	J24189025		1-	B	f1
R 1231	CHIP RES.	100k	1/16W	0.5%	RR0510P-104-D-C	J24189167		1-	A	E6
R 1232	FERRITE BEADS				BLM15PX221SN1D	L9190224		1-	B	f1
R 1233	CHIP RES.	4.7k	1/16W	5%	RMC1/16S 472JTH	J24189033		1-	A	G6
R 1235	CHIP RES.	100k	1/16W	5%	RMC1/16S 104JTH	J24189049		1-	A	G6
R 1236	CHIP RES.	4.7k	1/16W	0.5%	MCR01MZPD4701	J24189370		1-	A	E5
R 1240	CHIP RES.	0	1/16W	5%	RMC1/16S JPTH	J24189070		1-	A	H7
R 1242	CHIP RES.	1k	1/16W	5%	RMC1/16S 102JTH	J24189025		1-	A	E6
R 1247	CHIP RES.	10	1/16W	5%	RMC1/16S 100JTH	J24189001		1-	A	E6
R 1248	CHIP RES.	470	1/16W	5%	RMC1/16S 471JTH	J24189021		1-	A	E6
R 1249	CHIP RES.	470	1/16W	5%	RMC1/16S 471JTH	J24189021		1-	A	E6
R 1250	CHIP RES.	470	1/16W	5%	RMC1/16S 471JTH	J24189021		1-	A	E6
R 1251	CHIP RES.	1k	1/16W	5%	RMC1/16S 102JTH	J24189025		1-	A	E6
R 1252	FERRITE BEADS				BLM15PX221SN1D	L9190224		1-	B	g1
R 1253	CHIP RES.	0	1/16W	5%	RMC1/16S JPTH	J24189070		1-	B	f1
R 1254	CHIP RES.	0	1/16W	5%	RMC1/16S JPTH	J24189070		1-	B	f1
R 1255	CHIP RES.	100k	1/16W	5%	RMC1/16S 104JTH	J24189049		1-	B	g1
R 1258	CHIP RES.	1	1/16W	5%	RMC1/16S 1R0JTH	J24189319		1-	A	E6
R 1259	CHIP RES.	0	1/16W	5%	RMC1/16S JPTH	J24189070		1-	A	G4
R 1260	CHIP RES.	10k	1/16W	5%	RMC1/16S 103JTH	J24189037		1-	A	F6
R 1263	CHIP RES.	100	1/16W	5%	RMC1/16S 101JTH	J24189013		1-	A	G6
R 1264	CHIP RES.	100k	1/16W	5%	RMC1/16S 104JTH	J24189049		1-	A	F6
R 1266	CHIP RES.	47	1/16W	5%	RMC1/16S 470JTH	J24189009		1-	A	F7
R 1274	CHIP RES.	470	1/16W	5%	RMC1/16S 471JTH	J24189021		1-	A	H6
R 1276	CHIP RES.	1.5k	1/16W	5%	RMC1/16S 152JTH	J24189027		1-	A	H6
R 1277	CHIP RES.	4.7k	1/16W	5%	RMC1/16S 472JTH	J24189033		1-	A	H6
R 1278	CHIP RES.	4.7k	1/16W	5%	RMC1/16S 472JTH	J24189033		1-	A	F6
R 1280	CHIP RES.	33	1/16W	5%	RMC1/16S 330JTH	J24189007		1-	A	F6
R 1281	CHIP RES.	33	1/16W	5%	RMC1/16S 330JTH	J24189007		1-	A	F6
R 1282	CHIP RES.	33	1/16W	5%	RMC1/16S 330JTH	J24189007		1-	A	F6
R 1283	CHIP RES.	22k	1/16W	5%	RMC1/16S 223JTH	J24189041		1-	A	F7
R 1284	CHIP RES.	22k	1/16W	5%	RMC1/16S 223JTH	J24189041		1-	A	F7
R 1285	CHIP RES.	22k	1/16W	5%	RMC1/16S 223JTH	J24189041		1-	A	F7
R 1286	CHIP RES.	22k	1/16W	5%	RMC1/16S 223JTH	J24189041		1-	A	F7
R 1287	CHIP RES.	47k	1/16W	5%	RMC1/16S 473JTH	J24189045		1-	A	G6
R 1288	CHIP RES.	47k	1/16W	5%	RMC1/16S 473JTH	J24189045		1-	A	G6
R 1289	CHIP RES.	0	1/16W	5%	RMC1/16S JPTH	J24189070		1-	A	C1
R 1290	CHIP RES.	100k	1/16W	5%	RMC1/16S 104JTH	J24189049		1-	B	c6
R 1291	CHIP RES.	100k	1/16W	5%	RMC1/16S 104JTH	J24189049		1-	B	c6
R 1292	CHIP RES.	1	1W	5%	RMC1 1R0JTE	J24305010		1-	B	a4
R 1801	CHIP RES.	10k	1/16W	5%	RMC1/16S 103JTH	J24189037		1-	A	H2
R 1803	CHIP RES.	0	1/16W	5%	RMC1/16S JPTH	J24189070		1-	A	H2
R 1805	CHIP RES.	10k	1/16W	5%	RMC1/16S 103JTH	J24189037		1-	A	H2
R 1806	CHIP RES.	10k	1/16W	5%	RMC1/16S 103JTH	J24189037		1-	A	H2

MAIN Unit Parts List

REF	DESCRIPTION	VALUE	V/W	TOL.	MFR'S DESIG	YAESU P/N	VERS.	LOT	SIDE	LAY ADR
R 1809	CHIP RES.	10k	1/16W	5%	RMC1/16S 103JTH	J24189037		1-	A	H2
R 1810	CHIP RES.	0	1/16W	5%	RMC1/16S JPTH	J24189070		1-	A	G1
R 1812	CHIP RES.	0	1/16W	5%	RMC1/16S 000JATP	J24185000		1-	A	G2
R 1813	CHIP RES.	10	1/16W	5%	RMC1/16S 100JTH	J24189001		1-	B	a2
R 1814	CHIP RES.	0	1/16W	5%	RMC1/16S JPTH	J24189070		1-	A	H2
R 1815	CHIP RES.	100	1/16W	5%	RMC1/16S 101JTH	J24189013		1-	A	H2
R 1816	CHIP RES.	100	1/16W	5%	RMC1/16S 101JTH	J24189013		1-	B	a2
R 1817	CHIP RES.	100	1/16W	5%	RMC1/16S 101JTH	J24189013		1-	B	a2
R 1818	CHIP RES.	100	1/16W	5%	RMC1/16S 101JTH	J24189013		1-	B	a2
R 1819	CHIP RES.	100	1/16W	5%	RMC1/16S 101JTH	J24189013		1-	B	a2
R 1823	CHIP RES.	4.7k	1/16W	5%	RMC1/16S 472JTH	J24189033		1-	A	H1
R 1824	CHIP RES.	4.7k	1/16W	5%	RMC1/16S 472JTH	J24189033		1-	A	H1
R 1825	CHIP RES.	0	1/16W	5%	RMC1/16S JPTH	J24189070		1-	A	H1
R 1826	CHIP RES.	0	1/16W	5%	RMC1/16S JPTH	J24189070		1-	A	H1
R 1827	CHIP RES.	820	1/16W	5%	RMC1/16S 821JTH	J24189024		1-	B	a1
R 1829	CHIP RES.	10k	1/16W	5%	RMC1/16S 103JTH	J24189037		1-	A	H1
R 1830	CHIP RES.	10k	1/16W	5%	RMC1/16S 103JTH	J24189037		1-	A	H1
R 1831	CHIP RES.	10k	1/16W	5%	RMC1/16S 103JTH	J24189037		1-	A	H1
R 1835	CHIP RES.	1M	1/16W	5%	RMC1/16S 105JTH	J24189061		1-	A	H1
R 1836	CHIP RES.	4.7k	1/16W	5%	RMC1/16S 472JTH	J24189033		1-	B	a1
R 1837	CHIP RES.	4.7k	1/16W	5%	RMC1/16S 472JTH	J24189033		1-	B	a1
R 1838	CHIP RES.	0	1/16W	5%	RMC1/16S 000JATP	J24185000		1-	A	G2
R 1839	CHIP RES.	1k	1/16W	5%	RMC1/16S 102JTH	J24189025		1-	A	H1
R 1841	CHIP RES.	2.2k	1/16W	5%	RMC1/16S 222JTH	J24189029		1-	A	H1
R 1842	CHIP RES.	2.2k	1/16W	5%	RMC1/16S 222JTH	J24189029		1-	A	H1
R 1843	CHIP RES.	0	1/16W	5%	RMC1/16S JPTH	J24189070		1-	A	H1
R 1844	CHIP RES.	0	1/16W	5%	RMC1/16S JPTH	J24189070		1-	A	H1
R 1845	CHIP RES.	0	1/16W	5%	RMC1/16S JPTH	J24189070		1-	A	H1
R 1846	CHIP RES.	0	1/16W	5%	RMC1/16S JPTH	J24189070		1-	A	H1
R 1847	CHIP RES.	0	1/16W	5%	RMC1/16S JPTH	J24189070		1-	A	H1
R 1848	CHIP RES.	0	1/16W	5%	RMC1/16S JPTH	J24189070		1-	A	H1
R 1849	CHIP RES.	0	1/16W	5%	RMC1/16S JPTH	J24189070		1-	A	H1
R 1850	CHIP RES.	0	1/16W	5%	RMC1/16S JPTH	J24189070		1-	A	H1
R 1851	CHIP RES.	0	1/16W	5%	RMC1/16S JPTH	J24189070		1-	A	H1
R 1852	CHIP RES.	0	1/16W	5%	RMC1/16S JPTH	J24189070		1-	A	H1
R 1853	CHIP RES.	0	1/16W	5%	RMC1/16S JPTH	J24189070		1-	A	H1
R 1854	CHIP RES.	4.7k	1/16W	5%	RMC1/16S 472JTH	J24189033		1-	B	a1
R 1856	CHIP RES.	68	1/16W	5%	RMC1/16S 680JTH	J24189011		1-	A	H1
R 1857	CHIP RES.	68	1/16W	5%	RMC1/16S 680JTH	J24189011		1-	A	H1
R 1860	CHIP RES.	0	1/16W	5%	RMC1/16S JPTH	J24189070		1-	A	G2
R 1861	CHIP RES.	0	1/16W	5%	RMC1/16S JPTH	J24189070		1-	A	H2
R 1878	CHIP RES.	68	1/16W	5%	RMC1/16S 680JTH	J24189011		1-	A	H1
R 1879	CHIP RES.	68	1/16W	5%	RMC1/16S 680JTH	J24189011		1-	A	H1
R 1889	CHIP RES.	47k	1/16W	5%	RMC1/16S 473JTH	J24189045		1-	A	H1
R 1890	CHIP RES.	0	1/16W	5%	RMC1/16S JPTH	J24189070		1-	A	H1
R 1902	CHIP RES.	22k	1/16W	5%	RMC1/16S 223JTH	J24189041		1-	A	G1
R 1903	CHIP RES.	22k	1/16W	5%	RMC1/16S 223JTH	J24189041		1-	A	G1
R 1904	CHIP RES.	22k	1/16W	5%	RMC1/16S 223JTH	J24189041		1-	A	G1
R 1905	CHIP RES.	22k	1/16W	5%	RMC1/16S 223JTH	J24189041		1-	A	G1
R 2001	CHIP RES.	62k	1/16W	0.5%	RR0510P-623-D	J24189592		1-	A	G3
R 2002	CHIP RES.	39k	1/16W	1%	RMC1/16SK393FTH	J24189524		1-	A	G3
R 2003	CHIP RES.	10k	1/16W	5%	RMC1/16S 103JTH	J24189037		1-	A	F3
R 2004	CHIP RES.	2.2k	1/16W	5%	RMC1/16S 222JTH	J24189029		1-	A	F3
R 2005	CHIP RES.	2.2k	1/16W	5%	RMC1/16S 222JTH	J24189029		1-	A	F3
R 2006	CHIP RES.	10k	1/16W	5%	RMC1/16S 103JTH	J24189037		1-	A	F3
R 2007	CHIP RES.	2.2k	1/16W	5%	RMC1/16S 222JTH	J24189029		1-	A	F3
R 2008	CHIP RES.	22	1/16W	5%	RMC1/16S 220JTH	J24189005		1-	A	F3
R 2009	CHIP RES.	47	1/16W	5%	RMC1/16S 470JTH	J24189009		1-	A	F3
R 2010	CHIP RES.	47	1/16W	5%	RMC1/16S 470JTH	J24189009		1-	A	F3
R 2011	CHIP RES.	10k	1/16W	5%	RMC1/16S 103JTH	J24189037		1-	A	F3
R 2012	CHIP RES.	10k	1/16W	5%	RMC1/16S 103JTH	J24189037		1-	A	F3
R 2013	CHIP RES.	47	1/16W	5%	RMC1/16S 470JTH	J24189009		1-	A	F3
R 2014	CHIP RES.	22	1/16W	5%	RMC1/16S 220JTH	J24189005		1-	A	F3
R 2015	CHIP RES.	47	1/16W	5%	RMC1/16S 470JTH	J24189009		1-	A	F3
R 2016	CHIP RES.	22	1/16W	5%	RMC1/16S 220JTH	J24189005		1-	A	F3
R 2017	CHIP RES.	10k	1/16W	5%	RMC1/16S 103JTH	J24189037		1-	A	F3
R 2018	CHIP RES.	47	1/16W	5%	RMC1/16S 470JTH	J24189009		1-	A	F3
R 2019	CHIP RES.	22	1/16W	5%	RMC1/16S 220JTH	J24189005		1-	A	G3
R 2020	CHIP RES.	22	1/16W	5%	RMC1/16S 220JTH	J24189005		1-	A	G3
R 2021	CHIP RES.	47	1/16W	5%	RMC1/16S 470JTH	J24189009		1-	A	G3
R 2022	CHIP RES.	47	1/16W	5%	RMC1/16S 470JTH	J24189009		1-	A	G3
R 2029	CHIP RES.	1k	1/16W	5%	RMC1/16S 102JTH	J24189025		1-	A	F2
R 2030	CHIP RES.	10k	1/16W	5%	RMC1/16S 103JTH	J24189037		1-	A	H5
R 2031	CHIP RES.	2.2k	1/16W	5%	RMC1/16S 222JTH	J24189029		1-	A	G4
R 2032	CHIP RES.	47	1/16W	5%	RMC1/16S 470JTH	J24189009		1-	A	G4

MAIN Unit Parts List

REF	DESCRIPTION	VALUE	V/W	TOL.	MFR'S DESIG	YAESU P/N	VERS.	LOT	SIDE	LAY ADR
R 2033	CHIP RES.	47	1/16W	5%	RMC1/16S 470JTH	J24189009		1-	A	G4
R 2034	CHIP RES.	10k	1/16W	5%	RMC1/16S 103JTH	J24189037		1-	A	G4
R 2035	CHIP RES.	10k	1/16W	5%	RMC1/16S 103JTH	J24189037		1-	A	F4
R 2036	CHIP RES.	10k	1/16W	5%	RMC1/16S 103JTH	J24189037		1-	A	F4
R 2037	CHIP RES.	22k	1/16W	5%	RMC1/16S 223JTH	J24189041		1-	A	F4
R 2038	CHIP RES.	10k	1/16W	5%	RMC1/16S 103JTH	J24189037		1-	A	F4
R 2039	CHIP RES.	10k	1/16W	5%	RMC1/16S 103JTH	J24189037		1-	A	F4
R 2041	CHIP RES.	0	1/16W	5%	RMC1/16S JPTH	J24189070		1-	A	G3
R 2042	CHIP RES.	330	1/16W	5%	RMC1/16S 331JTH	J24189019		1-	A	G3
R 2043	CHIP RES.	220	1/16W	5%	RMC1/16S 221JTH	J24189017		1-	A	G4
R 2044	CHIP RES.	22	1/16W	5%	RMC1/16S 220JTH	J24189005		1-	A	G4
R 2045	CHIP RES.	4.7k	1/16W	5%	RMC1/16S 472JTH	J24189033		1-	A	G3
R 2046	CHIP RES.	10k	1/16W	5%	RMC1/16S 103JTH	J24189037		1-	A	G3
R 2047	CHIP RES.	22	1/16W	5%	RMC1/16S 220JTH	J24189005		1-	A	F3
R 2048	CHIP RES.	22	1/16W	5%	RMC1/16S 220JTH	J24189005		1-	A	F3
R 2050	CHIP RES.	100	1/16W	5%	RMC1/16S 101JTH	J24189013		1-	A	F4
R 2051	CHIP RES.	22	1/16W	5%	RMC1/16S 220JTH	J24189005		1-	A	F3
R 2052	CHIP RES.	10k	1/16W	5%	RMC1/16S 103JTH	J24189037		1-	A	H5
R 2053	CHIP RES.	10k	1/16W	5%	RMC1/16S 103JTH	J24189037		1-	A	H5
R 2054	CHIP RES.	22	1/16W	5%	RMC1/16S 220JTH	J24189005		1-	A	G4
R 2055	CHIP RES.	10k	1/16W	5%	RMC1/16S 103JTH	J24189037		1-	A	H5
R 2056	CHIP RES.	10k	1/16W	5%	RMC1/16S 103JTH	J24189037		1-	A	H5
R 2057	CHIP RES.	10k	1/16W	5%	RMC1/16S 103JTH	J24189037		1-	A	H5
R 2058	CHIP RES.	0	1/16W	5%	RMC1/16S JPTH	J24189070		1-	A	G5
R 2059	CHIP RES.	10k	1/16W	5%	RMC1/16S 103JTH	J24189037		1-	A	G3
R 2060	CHIP RES.	10k	1/16W	5%	RMC1/16S 103JTH	J24189037		1-	A	H5
R 2061	CHIP RES.	10k	1/16W	5%	RMC1/16S 103JTH	J24189037		1-	A	G3
R 2063	CHIP RES.	10k	1/16W	5%	RMC1/16S 103JTH	J24189037		1-	A	G3
R 2065	CHIP RES.	10k	1/16W	5%	RMC1/16S 103JTH	J24189037		1-	A	F4
R 2066	CHIP RES.	10k	1/16W	5%	RMC1/16S 103JTH	J24189037		1-	A	F4
R 2067	CHIP RES.	10k	1/16W	5%	RMC1/16S 103JTH	J24189037		1-	A	F4
R 2068	CHIP RES.	22k	1/16W	5%	RMC1/16S 223JTH	J24189041		1-	A	F4
R 2069	CHIP RES.	10k	1/16W	5%	RMC1/16S 103JTH	J24189037		1-	A	F4
R 2070	CHIP RES.	10k	1/16W	5%	RMC1/16S 103JTH	J24189037		1-	A	F4
R 2071	CHIP RES.	22k	1/16W	5%	RMC1/16S 223JTH	J24189041		1-	A	F4
R 2072	CHIP RES.	47	1/16W	5%	RMC1/16S 470JTH	J24189009		1-	A	H3
R 2073	CHIP RES.	10k	1/16W	5%	RMC1/16S 103JTH	J24189037		1-	A	F2
R 2074	CHIP RES.	100k	1/16W	5%	RMC1/16S 104JTH	J24189049		1-	A	F2
R 2075	CHIP RES.	10k	1/16W	5%	RMC1/16S 103JTH	J24189037		1-	A	H5
R 2076	CHIP RES.	10k	1/16W	5%	RMC1/16S 103JTH	J24189037		1-	A	H5
R 2077	CHIP RES.	10k	1/16W	5%	RMC1/16S 103JTH	J24189037		1-	A	H5
R 2078	CHIP RES.	10k	1/16W	5%	RMC1/16S 103JTH	J24189037		1-	A	H5
R 2079	CHIP RES.	10k	1/16W	5%	RMC1/16S 103JTH	J24189037		1-	A	H5
R 2080	CHIP RES.	10k	1/16W	5%	RMC1/16S 103JTH	J24189037		1-	A	H5
R 2081	CHIP RES.	10	1/16W	5%	RMC1/16S 100JTH	J24189001		1-	A	G5
R 2082	CHIP RES.	10k	1/16W	5%	RMC1/16S 103JTH	J24189037		1-	A	G5
R 2086	CHIP RES.	10k	1/16W	5%	RMC1/16S 103JTH	J24189037		1-	A	G3
R 2088	CHIP RES.	10k	1/16W	5%	RMC1/16S 103JTH	J24189037		1-	A	G3
R 2090	CHIP RES.	10k	1/16W	5%	RMC1/16S 103JTH	J24189037		1-	A	F3
R 2091	CHIP RES.	100	1/16W	5%	RMC1/16S 101JTH	J24189013		1-	A	F4
R 2093	CHIP RES.	100	1/16W	5%	RMC1/16S 101JTH	J24189013		1-	A	F4
R 2095	CHIP RES.	22	1/16W	5%	RMC1/16S 220JTH	J24189005		1-	A	G3
R 2096	CHIP RES.	22	1/16W	5%	RMC1/16S 220JTH	J24189005		1-	A	H3
R 2097	CHIP RES.	10k	1/16W	5%	RMC1/16S 103JTH	J24189037		1-	A	G5
R 2098	CHIP RES.	10k	1/16W	5%	RMC1/16S 103JTH	J24189037		1-	A	G5
R 2099	CHIP RES.	33k	1/16W	5%	RMC1/16S 333JTH	J24189043		1-	A	G5
R 2100	CHIP RES.	22	1/16W	5%	RMC1/16S 220JTH	J24189005		1-	A	G3
R 2101	CHIP RES.	470	1/16W	5%	RMC1/16S 471JTH	J24189021		1-	A	G3
R 2102	CHIP RES.	22	1/16W	5%	RMC1/16S 220JTH	J24189005		1-	A	F3
R 2103	CHIP RES.	0	1/16W	5%	RMC1/16S JPTH	J24189070		1-	A	G5
R 2104	CHIP RES.	1k	1/16W	5%	RMC1/16S 102JTH	J24189025		1-	A	G3
R 2105	CHIP RES.	10k	1/16W	5%	RMC1/16S 103JTH	J24189037		1-	A	G5
R 2106	CHIP RES.	10k	1/16W	5%	RMC1/16S 103JTH	J24189037		1-	A	G5
R 2107	CHIP RES.	10k	1/16W	5%	RMC1/16S 103JTH	J24189037		1-	A	G3
R 2108	CHIP RES.	10k	1/16W	5%	RMC1/16S 103JTH	J24189037		1-	A	G3
R 2110	CHIP RES.	0	1/16W	5%	RMC1/16S JPTH	J24189070		1-	A	F2
R 2111	CHIP RES.	10k	1/16W	5%	RMC1/16S 103JTH	J24189037		1-	A	G5
R 2112	CHIP RES.	1k	1/16W	5%	RMC1/16S 102JTH	J24189025		1-	A	G3
R 2113	CHIP RES.	10k	1/16W	5%	RMC1/16S 103JTH	J24189037		1-	A	H5
R 2116	CHIP RES.	2.2k	1/16W	5%	RMC1/16S 222JTH	J24189029		1-	A	G3
R 2121	CHIP RES.	10k	1/16W	5%	RMC1/16S 103JTH	J24189037		1-	A	H5
R 2122	CHIP RES.	10k	1/16W	5%	RMC1/16S 103JTH	J24189037		1-	A	H5
R 2123	CHIP RES.	10k	1/16W	5%	RMC1/16S 103JTH	J24189037		1-	A	H5
R 2124	CHIP RES.	10k	1/16W	5%	RMC1/16S 103JTH	J24189037		1-	A	H5
R 2125	CHIP RES.	10k	1/16W	5%	RMC1/16S 103JTH	J24189037		1-	A	H5

MAIN Unit Parts List

REF	DESCRIPTION	VALUE	V/W	TOL.	MFR'S DESIG	YAESU P/N	VERS.	LOT	SIDE	LAY ADR
R 2126	CHIP RES.	10k	1/16W	5%	RMC1/16S 103JTH	J24189037		1-	A	H6
R 2127	CHIP RES.	10k	1/16W	5%	RMC1/16S 103JTH	J24189037		1-	A	H6
R 2128	CHIP RES.	10k	1/16W	5%	RMC1/16S 103JTH	J24189037		1-	A	H6
R 2129	CHIP RES.	22k	1/16W	5%	RMC1/16S 223JTH	J24189041		1-	A	H6
R 2130	CHIP RES.	10k	1/16W	5%	RMC1/16S 103JTH	J24189037		1-	A	H6
R 2131	CHIP RES.	10k	1/16W	5%	RMC1/16S 103JTH	J24189037		1-	A	G5
R 2132	CHIP RES.	10k	1/16W	5%	RMC1/16S 103JTH	J24189037		1-	A	G5
R 2133	CHIP RES.	4.7k	1/16W	5%	RMC1/16S 472JTH	J24189033		1-	A	G6
R 2134	CHIP RES.	10k	1/16W	5%	RMC1/16S 103JTH	J24189037		1-	A	G6
R 2135	CHIP RES.	10k	1/16W	5%	RMC1/16S 103JTH	J24189037		1-	A	G5
R 2136	CHIP RES.	10k	1/16W	5%	RMC1/16S 103JTH	J24189037		1-	A	G5
R 2137	CHIP RES.	10k	1/16W	5%	RMC1/16S 103JTH	J24189037		1-	A	G5
R 2138	CHIP RES.	100	1/16W	5%	RMC1/16S 101JTH	J24189013		1-	A	H5
R 2139	CHIP RES.	33k	1/16W	5%	RMC1/16S 333JTH	J24189043		1-	A	H5
R 2140	CHIP RES.	10k	1/16W	5%	RMC1/16S 103JTH	J24189037		1-	A	H5
R 2142	CHIP RES.	10k	1/16W	5%	RMC1/16S 103JTH	J24189037		1-	A	H6
R 2143	CHIP RES.	10k	1/16W	5%	RMC1/16S 103JTH	J24189037		1-	A	H6
R 2144	CHIP RES.	10k	1/16W	5%	RMC1/16S 103JTH	J24189037		1-	A	H6
R 2145	CHIP RES.	10k	1/16W	5%	RMC1/16S 103JTH	J24189037		1-	A	H6
R 2146	CHIP RES.	10k	1/16W	5%	RMC1/16S 103JTH	J24189037		1-	A	H6
R 2147	CHIP RES.	10k	1/16W	5%	RMC1/16S 103JTH	J24189037		1-	A	H6
R 2148	CHIP RES.	10k	1/16W	5%	RMC1/16S 103JTH	J24189037		1-	A	H6
R 2149	CHIP RES.	10k	1/16W	5%	RMC1/16S 103JTH	J24189037		1-	A	H6
R 2150	CHIP RES.	10k	1/16W	5%	RMC1/16S 103JTH	J24189037		1-	A	H6
R 2151	CHIP RES.	10k	1/16W	5%	RMC1/16S 103JTH	J24189037		1-	A	G6
R 2152	CHIP RES.	10k	1/16W	5%	RMC1/16S 103JTH	J24189037		1-	A	G6
R 2153	CHIP RES.	10k	1/16W	5%	RMC1/16S 103JTH	J24189037		1-	A	G6
R 2154	CHIP RES.	100k	1/16W	5%	RMC1/16S 104JTH	J24189049		1-	A	G6
R 2155	CHIP RES.	100	1/16W	5%	RMC1/16S 101JTH	J24189013		1-	A	G6
R 2156	CHIP RES.	10k	1/16W	5%	RMC1/16S 103JTH	J24189037		1-	A	G6
R 2157	CHIP RES.	100	1/16W	5%	RMC1/16S 101JTH	J24189013		1-	A	G6
R 2158	CHIP RES.	10k	1/16W	5%	RMC1/16S 103JTH	J24189037		1-	A	G6
R 2159	CHIP RES.	10k	1/16W	5%	RMC1/16S 103JTH	J24189037		1-	A	G6
R 2160	CHIP RES.	10k	1/16W	5%	RMC1/16S 103JTH	J24189037		1-	A	G5
R 2161	CHIP RES.	22k	1/16W	5%	RMC1/16S 223JTH	J24189041		1-	A	G5
R 2162	CHIP RES.	100	1/16W	5%	RMC1/16S 101JTH	J24189013		1-	A	G5
R 2163	CHIP RES.	10k	1/16W	5%	RMC1/16S 103JTH	J24189037		1-	A	H5
R 2164	CHIP RES.	22k	1/16W	5%	RMC1/16S 223JTH	J24189041		1-	A	H5
R 2165	CHIP RES.	10k	1/16W	5%	RMC1/16S 103JTH	J24189037		1-	A	H6
R 2166	CHIP RES.	10k	1/16W	5%	RMC1/16S 103JTH	J24189037		1-	A	H6
R 2167	CHIP RES.	10k	1/16W	5%	RMC1/16S 103JTH	J24189037		1-	A	H6
R 2168	CHIP RES.	10k	1/16W	5%	RMC1/16S 103JTH	J24189037		1-	A	H6
R 2169	CHIP RES.	10k	1/16W	5%	RMC1/16S 103JTH	J24189037		1-	A	H6
R 2170	CHIP RES.	10k	1/16W	5%	RMC1/16S 103JTH	J24189037		1-	A	H6
R 2171	CHIP RES.	10k	1/16W	5%	RMC1/16S 103JTH	J24189037		1-	A	H6
R 2172	CHIP RES.	10k	1/16W	5%	RMC1/16S 103JTH	J24189037		1-	A	G6
R 2173	CHIP RES.	10k	1/16W	5%	RMC1/16S 103JTH	J24189037		1-	A	G6
R 2174	CHIP RES.	10k	1/16W	5%	RMC1/16S 103JTH	J24189037		1-	A	H6
R 2175	CHIP RES.	10k	1/16W	5%	RMC1/16S 103JTH	J24189037		1-	A	G6
R 2176	CHIP RES.	10k	1/16W	5%	RMC1/16S 103JTH	J24189037		1-	A	G6
R 2177	CHIP RES.	10k	1/16W	5%	RMC1/16S 103JTH	J24189037		1-	A	G6
R 2178	CHIP RES.	10k	1/16W	5%	RMC1/16S 103JTH	J24189037		1-	A	G6
R 2179	CHIP RES.	10k	1/16W	5%	RMC1/16S 103JTH	J24189037		1-	A	G6
R 2180	CHIP RES.	10k	1/16W	5%	RMC1/16S 103JTH	J24189037		1-	A	G6
R 2181	CHIP RES.	10k	1/16W	5%	RMC1/16S 103JTH	J24189037		1-	A	G6
R 2182	CHIP RES.	10k	1/16W	5%	RMC1/16S 103JTH	J24189037		1-	A	G6
R 2183	CHIP RES.	10k	1/16W	5%	RMC1/16S 103JTH	J24189037		1-	A	G6
R 2184	CHIP RES.	10k	1/16W	5%	RMC1/16S 103JTH	J24189037		1-	A	G6
R 2186	CHIP RES.	10k	1/16W	5%	RMC1/16S 103JTH	J24189037		1-	A	H5
R 2188	CHIP RES.	100	1/16W	5%	RMC1/16S 101JTH	J24189013		1-	A	G5
R 2189	CHIP RES.	10k	1/16W	5%	RMC1/16S 103JTH	J24189037		1-	A	G5
R 2190	CHIP RES.	10k	1/16W	5%	RMC1/16S 103JTH	J24189037		1-	A	G5
R 2191	CHIP RES.	22k	1/16W	5%	RMC1/16S 223JTH	J24189041		1-	A	G5
R 2192	CHIP RES.	10k	1/16W	5%	RMC1/16S 103JTH	J24189037		1-	A	G5
R 2193	CHIP RES.	22	1/16W	5%	RMC1/16S 220JTH	J24189005		1-	A	G4
R 2343	CHIP RES.	0	1/10W	5%	RMC1/10T 000J	J24205000		1-	A	G5
R 2344	CHIP RES.	22	1/16W	5%	RMC1/16S 220JTH	J24189005		1-	A	G6
R 2345	CHIP RES.	0	1/10W	5%	RMC1/10T 000J	J24205000		1-	A	G4
R 2346	CHIP RES.	0	1/16W	5%	RMC1/16S JPTH	J24189070		1-	A	G3
R 2502	CHIP RES.	4.7k	1/16W	5%	RMC1/16S 472JTH	J24189033		1-	B	d4
R 2505	CHIP RES.	1k	1/16W	5%	RMC1/16S 102JTH	J24189025		1-	A	F4
R 2509	CHIP RES.	0	1/16W	5%	RMC1/16S JPTH	J24189070		1-	A	F4
R 2513	CHIP RES.	10	1/16W	5%	RMC1/16S 100JTH	J24189001		1-	B	g1
R 2514	CHIP RES.	10	1/16W	5%	RMC1/16S 100JTH	J24189001		1-	B	g1
R 2515	CHIP RES.	33k	1/16W	1%	RMC1/16SK333FTH	J24189494		1-	A	E4

MAIN Unit Parts List

REF	DESCRIPTION	VALUE	V/W	TOL.	MFR'S DESIG	YAESU P/N	VERS.	LOT	SIDE	LAY ADR
R 2516	CHIP RES.	0	1/16W	5%	RMC1/16S JPTH	J24189070		1-	A	F1
R 2517	CHIP RES.	0	1/16W	5%	RMC1/16S JPTH	J24189070		1-	A	F1
R 2520	CHIP RES.	10k	1/16W	5%	RMC1/16S 103JTH	J24189037		1-	B	d4
R 2521	CHIP RES.	1k	1/16W	5%	RMC1/16S 102JTH	J24189025		1-	B	d4
R 2522	CHIP RES.	10k	1/16W	5%	RMC1/16S 103JTH	J24189037		1-	A	E4
R 2523	CHIP RES.	75k	1/16W	1%	RMC1/16SK753FTH	J24189606		1-	A	E4
R 2524	CHIP RES.	10k	1/16W	5%	RMC1/16S 103JTH	J24189037		1-	A	F4
R 2525	CHIP RES.	10k	1/16W	5%	RMC1/16S 103JTH	J24189037		1-	A	F4
R 2526	CHIP RES.	100k	1/16W	5%	RMC1/16S 104JTH	J24189049		1-	A	G1
R 2527	CHIP RES.	10k	1/16W	5%	RMC1/16S 103JTH	J24189037		1-	A	F2
R 2528	CHIP RES.	10k	1/16W	5%	RMC1/16S 103JTH	J24189037		1-	A	F2
R 2529	CHIP RES.	10k	1/16W	5%	RMC1/16S 103JTH	J24189037		1-	A	F4
R 2530	CHIP RES.	100k	1/16W	5%	RMC1/16S 104JTH	J24189049		1-	A	F1
R 2531	CHIP RES.	0	1/16W	5%	RMC1/16S JPTH	J24189070		1-	A	G1
R 2532	CHIP RES.	10k	1/16W	5%	RMC1/16S 103JTH	J24189037		1-	A	E4
R 2533	CHIP RES.	100k	1/16W	5%	RMC1/16S 104JTH	J24189049		1-	A	G1
R 2534	CHIP RES.	3.9k	1/16W	5%	RMC1/16S 392JTH	J24189032		1-	A	F4
R 2535	CHIP RES.	47k	1/16W	5%	RMC1/16S 473JTH	J24189045		1-	A	F2
R 2536	CHIP RES.	10k	1/16W	5%	RMC1/16S 103JTH	J24189037		1-	A	F4
R 2537	CHIP RES.	1M	1/16W	5%	RMC1/16S 105JTH	J24189061		1-	A	G1
R 2538	CHIP RES.	5.6k	1/16W	1%	RMC1/16SK562FTH	J24189520		1-	A	F4
R 2539	CHIP RES.	12k	1/16W	1%	RMC1/16SK123FTH	J24189490		1-	A	F1
R 2540	CHIP RES.	3.9k	1/16W	5%	RMC1/16S 392JTH	J24189032		1-	A	F4
R 2541	CHIP RES.	0	1/16W	5%	RMC1/16S JPTH	J24189070		1-	A	E5
R 2542	CHIP RES.	0	1/16W	5%	RMC1/16S JPTH	J24189070		1-	A	E5
R 2544	CHIP RES.	1M	1/16W	5%	RMC1/16S 105JTH	J24189061		1-	A	F2
R 2545	CHIP RES.	470k	1/16W	5%	RMC1/16S 474JTH	J24189057		1-	A	F4
R 2546	CHIP RES.	5.6k	1/16W	1%	RMC1/16SK562FTH	J24189520		1-	A	F4
R 2548	CHIP RES.	10k	1/16W	5%	RMC1/16S 103JTH	J24189037		1-	A	F2
R 2549	CHIP RES.	10k	1/16W	5%	RMC1/16S 103JTH	J24189037		1-	A	F2
R 2550	CHIP RES.	470k	1/16W	5%	RMC1/16S 474JTH	J24189057		1-	A	F4
R 2551	CHIP RES.	100k	1/16W	5%	RMC1/16S 104JTH	J24189049		1-	A	G1
R 2554	CHIP RES.	22k	1/16W	5%	RMC1/16S 223JTH	J24189041		1-	A	F4
R 2555	CHIP RES.	47k	1/16W	5%	RMC1/16S 473JTH	J24189045		1-	A	F2
R 2557	CHIP RES.	100k	1/16W	5%	RMC1/16S 104JTH	J24189049		1-	A	G1
R 2559	CHIP RES.	100k	1/16W	5%	RMC1/16S 104JTH	J24189049		1-	A	G1
R 2560	CHIP RES.	10k	1/16W	5%	RMC1/16S 103JTH	J24189037		1-	A	E3
R 2561	CHIP RES.	22k	1/16W	5%	RMC1/16S 223JTH	J24189041		1-	A	F4
R 2562	CHIP RES.	180k	1/16W	5%	RMC1/16S 184JTH	J24189052		1-	A	F4
R 2564	CHIP RES.	10k	1/16W	5%	RMC1/16S 103JTH	J24189037		1-	A	E4
R 2565	CHIP RES.	2.2k	1/16W	5%	RMC1/16S 222JTH	J24189029		1-	A	F4
R 2566	CHIP RES.	100k	1/16W	5%	RMC1/16S 104JTH	J24189049		1-	A	G2
R 2567	CHIP RES.	1M	1/16W	5%	RMC1/16S 105JTH	J24189061		1-	A	G2
R 2568	CHIP RES.	220k	1/16W	5%	RMC1/16S 224JTH	J24189053		1-	A	F4
R 2571	CHIP RES.	10k	1/16W	5%	RMC1/16S 103JTH	J24189037		1-	A	G1
R 2572	CHIP RES.	15k	1/16W	5%	RMC1/16S 153JTH	J24189039		1-	A	E4
R 2573	CHIP RES.	2.2M	1/16W	5%	RMC1/16S 225JTH	J24189065		1-	A	F4
R 2574	CHIP RES.	5.6k	1/16W	5%	RMC1/16S 562JTH	J24189034		1-	A	F4
R 2575	CHIP RES.	2.7k	1/16W	5%	RMC1/16S 272JTH	J24189030		1-	A	F4
R 2576	CHIP RES.	10k	1/16W	5%	RMC1/16S 103JTH	J24189037		1-	A	G2
R 2578	CHIP RES.	47	1/16W	5%	RMC1/16S 470JTH	J24189009		1-	A	F4
R 2580	CHIP RES.	47k	1/16W	5%	RMC1/16S 473JTH	J24189045		1-	A	G2
R 2581	CHIP RES.	10k	1/16W	5%	RMC1/16S 103JTH	J24189037		1-	A	F4
R 2582	CHIP RES.	0	1/16W	5%	RMC1/16S JPTH	J24189070		1-	A	E5
R 2583	CHIP RES.	0	1/16W	5%	RMC1/16S JPTH	J24189070		1-	A	E5
R 2584	CHIP RES.	0	1/16W	5%	RMC1/16S JPTH	J24189070		1-	A	E5
R 2585	CHIP RES.	10k	1/16W	5%	RMC1/16S 103JTH	J24189037		1-	A	F4
R 2586	CHIP RES.	1M	1/16W	5%	RMC1/16S 105JTH	J24189061		1-	A	G2
R 2587	CHIP RES.	10k	1/16W	5%	RMC1/16S 103JTH	J24189037		1-	A	F4
R 2588	CHIP RES.	82k	1/16W	5%	RMC1/16S 823JTH	J24189048		1-	A	F4
R 2589	CHIP RES.	33k	1/16W	5%	RMC1/16S 333JTH	J24189043		1-	A	E4
R 2591	CHIP RES.	22k	1/16W	5%	RMC1/16S 223JTH	J24189041		1-	A	F4
R 2593	CHIP RES.	47	1/16W	5%	RMC1/16S 470JTH	J24189009		1-	A	E4
R 2594	CHIP RES.	22k	1/16W	5%	RMC1/16S 223JTH	J24189041		1-	A	F4
R 2598	CHIP RES.	10k	1/16W	5%	RMC1/16S 103JTH	J24189037		1-	A	E4
R 2599	CHIP RES.	22	1/16W	5%	RMC1/16S 220JTH	J24189005		1-	B	c1
R 2600	CHIP RES.	22	1/16W	5%	RMC1/16S 220JTH	J24189005		1-	B	c1
R 2601	CHIP RES.	47	1/16W	5%	RMC1/16S 470JTH	J24189009		1-	A	F4
R 2602	CHIP RES.	4.7k	1/16W	5%	RMC1/16S 472JTH	J24189033		1-	A	E4
R 2608	CHIP RES.	1k	1/16W	1%	RMC1/16SK102FTH	J24189487		1-	A	F4
R 2611	CHIP RES.	100	1/16W	5%	RMC1/16S 101JTH	J24189013		1-	B	c1
R 2616	CHIP RES.	1M	1/16W	5%	RMC1/16S 105JTH	J24189061		1-	B	c1
R 2617	CHIP RES.	4.7k	1/16W	5%	RMC1/16S 472JTH	J24189033		1-	B	c1
R 2618	CHIP RES.	10k	1/16W	5%	RMC1/16S 103JTH	J24189037		1-	A	E3
R 2620	CHIP RES.	4.7k	1/16W	5%	RMC1/16S 472JTH	J24189033		1-	B	b1

MAIN Unit Parts List

REF	DESCRIPTION	VALUE	V/W	TOL.	MFR'S DESIG	YAESU P/N	VERS.	LOT	SIDE	LAY ADR
R 2622	CHIP RES.	6.8k	1/16W	5%	RMC1/16S 682JTH	J24189035		1-	B	c1
R 2623	CHIP RES.	680	1/16W	1%	RMC1/16SK681FTH	J24189514		1-	A	F4
R 2624	CHIP RES.	10k	1/16W	5%	RMC1/16S 103JTH	J24189037		1-	A	E3
R 2625	CHIP RES.	100k	1/16W	5%	RMC1/16S 104JTH	J24189049		1-	B	d3
R 2626	CHIP RES.	100k	1/16W	5%	RMC1/16S 104JTH	J24189049		1-	B	d4
R 2628	CHIP RES.	100	1/16W	5%	RMC1/16S 101JTH	J24189013		1-	B	b1
R 2631	CHIP RES.	100	1/16W	5%	RMC1/16S 101JTH	J24189013		1-	B	b1
R 2632	CHIP RES.	100k	1/16W	5%	RMC1/16S 104JTH	J24189049		1-	A	D4
R 2633	CHIP RES.	100k	1/16W	5%	RMC1/16S 104JTH	J24189049		1-	B	d4
R 2634	CHIP RES.	100	1/16W	5%	RMC1/16S 101JTH	J24189013		1-	B	b1
R 2635	CHIP RES.	22k	1/16W	5%	RMC1/16S 223JTH	J24189041		1-	A	E3
R 2636	CHIP RES.	4.7k	1/16W	5%	RMC1/16S 472JTH	J24189033		1-	B	b1
R 2637	CHIP RES.	100k	1/16W	5%	RMC1/16S 104JTH	J24189049		1-	B	e7
R 2638	CHIP RES.	100k	1/16W	5%	RMC1/16S 104JTH	J24189049		1-	A	D4
R 2639	CHIP RES.	100k	1/16W	5%	RMC1/16S 104JTH	J24189049		1-	B	d4
R 2640	CHIP RES.	22k	1/16W	5%	RMC1/16S 223JTH	J24189041		1-	A	E4
R 2641	CHIP RES.	100	1/16W	5%	RMC1/16S 101JTH	J24189013		1-	B	b1
R 2642	CHIP RES.	22k	1/16W	5%	RMC1/16S 223JTH	J24189041		1-	A	E4
R 2643	CHIP RES.	10k	1/16W	5%	RMC1/16S 103JTH	J24189037		1-	A	D4
R 2644	CHIP RES.	47	1/16W	5%	RMC1/16S 470JTH	J24189009		1-	A	E5
R 2645	CHIP RES.	10k	1/16W	5%	RMC1/16S 103JTH	J24189037		1-	A	D4
R 2646	CHIP RES.	39k	1/16W	5%	RMC1/16S 393JTH	J24189044		1-	A	E3
R 2647	CHIP RES.	10k	1/16W	5%	RMC1/16S 103JTH	J24189037		1-	B	e7
R 2648	CHIP RES.	100k	1/16W	5%	RMC1/16S 104JTH	J24189049		1-	A	E4
R 2649	CHIP RES.	10k	1/16W	5%	RMC1/16S 103JTH	J24189037		1-	B	e7
R 2650	CHIP RES.	100k	1/16W	5%	RMC1/16S 104JTH	J24189049		1-	B	e7
R 2651	CHIP RES.	10k	1/16W	5%	RMC1/16S 103JTH	J24189037		1-	B	e7
R 2652	CHIP RES.	6.8k	1/16W	5%	RMC1/16S 682JTH	J24189035		1-	A	E3
R 2654	CHIP RES.	0	1/16W	5%	RMC1/16S JPTH	J24189070		1-	A	E4
R 2655	CHIP RES.	10k	1/16W	5%	RMC1/16S 103JTH	J24189037		1-	A	D4
R 2656	CHIP RES.	4.7k	1/16W	5%	RMC1/16S 472JTH	J24189033		1-	A	E3
R 2657	CHIP RES.	470	1/16W	5%	RMC1/16S 471JTH	J24189021		1-	A	E4
R 2658	CHIP RES.	4.7k	1/16W	5%	RMC1/16S 472JTH	J24189033		1-	A	E3
R 2659	CHIP RES.	4.7k	1/16W	5%	RMC1/16S 472JTH	J24189033		1-	A	E3
R 2660	CHIP RES.	470	1/16W	5%	RMC1/16S 471JTH	J24189021		1-	A	E4
R 2661	CHIP RES.	47	1/16W	5%	RMC1/16S 470JTH	J24189009		1-	B	d4
R 2664	CHIP RES.	6.8k	1/16W	5%	RMC1/16S 682JTH	J24189035		1-	A	E3
R 2665	CHIP RES.	4.7k	1/16W	5%	RMC1/16S 472JTH	J24189033		1-	A	E4
R 2666	CHIP RES.	470	1/16W	5%	RMC1/16S 471JTH	J24189021		1-	A	E4
R 2667	CHIP RES.	47	1/16W	5%	RMC1/16S 470JTH	J24189009		1-	B	d4
R 2669	CHIP RES.	1.5k	1/16W	5%	RMC1/16S 152JTH	J24189027		1-	A	F1
R 2670	CHIP RES.	47	1/16W	5%	RMC1/16S 470JTH	J24189009		1-	A	E3
R 2671	CHIP RES.	22	1/16W	5%	RMC1/16S 220JTH	J24189005		1-	A	F1
R 2672	CHIP RES.	22	1/16W	5%	RMC1/16S 220JTH	J24189005		1-	A	F1
R 2673	CHIP RES.	4.7k	1/16W	5%	RMC1/16S 472JTH	J24189033		1-	A	E4
R 2674	CHIP RES.	100k	1/16W	5%	RMC1/16S 104JTH	J24189049		1-	A	E3
R 2675	CHIP RES.	100k	1/16W	5%	RMC1/16S 104JTH	J24189049		1-	B	e6
R 2676	CHIP RES.	47	1/16W	5%	RMC1/16S 470JTH	J24189009		1-	B	e7
R 2677	CHIP RES.	4.7k	1/16W	5%	RMC1/16S 472JTH	J24189033		1-	A	E3
R 2678	CHIP RES.	100k	1/16W	5%	RMC1/16S 104JTH	J24189049		1-	B	e7
R 2679	CHIP RES.	47k	1/16W	5%	RMC1/16S 473JTH	J24189045		1-	B	f7
R 2680	CHIP RES.	47k	1/16W	5%	RMC1/16S 473JTH	J24189045		1-	B	e7
R 2681	CHIP RES.	1M	1/16W	5%	RMC1/16S 105JTH	J24189061		1-	A	F2
R 2682	CHIP RES.	47	1/16W	5%	RMC1/16S 470JTH	J24189009		1-	A	D5
R 2683	CHIP RES.	4.7k	1/16W	5%	RMC1/16S 472JTH	J24189033		1-	A	E3
R 2684	CHIP RES.	1M	1/16W	5%	RMC1/16S 105JTH	J24189061		1-	A	F1
R 2685	CHIP RES.	100k	1/16W	5%	RMC1/16S 104JTH	J24189049		1-	A	E3
R 2686	CHIP RES.	0	1/16W	5%	RMC1/16S JPTH	J24189070		1-	A	F2
R 2689	CHIP RES.	100k	1/16W	5%	RMC1/16S 104JTH	J24189049		1-	B	e7
R 2691	CHIP RES.	10k	1/16W	5%	RMC1/16S 103JTH	J24189037		1-	A	D5
R 2693	CHIP RES.	12k	1/16W	5%	RMC1/16S 123JTH	J24189038		1-	B	e7
R 2694	CHIP RES.	10k	1/16W	5%	RMC1/16S 103JTH	J24189037		1-	A	F2
R 2695	CHIP RES.	22k	1/16W	5%	RMC1/16S 223JTH	J24189041		1-	B	f7
R 2697	CHIP RES.	10k	1/16W	5%	RMC1/16S 103JTH	J24189037		1-	B	f7
R 2698	CHIP RES.	10k	1/16W	5%	RMC1/16S 103JTH	J24189037		1-	A	D5
R 2699	CHIP RES.	4.7k	1/16W	5%	RMC1/16S 472JTH	J24189033		1-	A	F2
R 2704	CHIP RES.	1.5k	1/16W	5%	RMC1/16S 152JTH	J24189027		1-	A	F2
R 2706	CHIP RES.	5.6k	1/16W	5%	RMC1/16S 562JTH	J24189034		1-	A	F2
R 2707	CHIP RES.	2.2M	1/16W	5%	RMC1/16S 225JTH	J24189065		1-	A	D5
R 2709	CHIP RES.	4.7	1/16W	5%	RMC1/16S 4R7JTH	J24189066		1-	B	e7
R 2710	CHIP RES.	47	1/16W	5%	RMC1/16S 470JTH	J24189009		1-	B	e7
R 2711	CHIP RES.	4.7k	1/16W	5%	RMC1/16S 472JTH	J24189033		1-	A	E3
R 2712	CHIP RES.	5.6k	1/16W	5%	RMC1/16S 562JTH	J24189034		1-	A	F2
R 2716	CHIP RES.	0	1/10W	5%	RMC1/10T 000J	J24205000		1-	B	f7
R 2719	CHIP RES.	10k	1/16W	1%	RMC1/16SK103FTH	J24189489		1-	A	E5

MAIN Unit Parts List

REF	DESCRIPTION	VALUE	V/W	TOL.	MFR'S DESIG	YAESU P/N	VERS.	LOT	SIDE	LAY ADR
R 2720	CHIP RES.	6.8k	1/16W	1%	RMC1/16SK682FTH	J24189521		1-	A	E2
R 2721	CHIP RES.	1	1W	5%	RMC1 1R0JTE	J24305010		1-	A	E7
R 2722	CHIP RES.	100k	1/16W	5%	RMC1/16S 104JTH	J24189049		1-	A	G2
R 2723	CHIP RES.	0	1/10W	5%	RMC1/10T 000J	J24205000		1-	B	f7
R 2728	CHIP RES.	22k	1/16W	1%	RMC1/16SK223FTH	J24189492		1-	A	F2
R 2729	CHIP RES.	22k	1/16W	5%	RMC1/16S 223JTH	J24189041		1-	A	E5
R 2730	CHIP RES.	10k	1/16W	1%	RMC1/16SK103FTH	J24189489		1-	A	E5
R 2732	CHIP RES.	1k	1/16W	5%	RMC1/16S 102JTH	J24189025		1-	A	E5
R 2734	CHIP RES.	220	1/2W	5%	RMC1/2 221JCTP	J24275221		1-	B	e7
R 2737	CHIP RES.	2.2	1/10W	5%	RMC1/10T 2R2J	J24205229		1-	A	C7
R 2738	CHIP RES.	1k	1/16W	5%	RMC1/16S 102JTH	J24189025		1-	A	F2
R 2740	CHIP RES.	3.9k	1/16W	5%	RMC1/16S 392JTH	J24189032		1-	A	E2
R 2741	CHIP RES.	3.3k	1/16W	5%	RMC1/16S 332JTH	J24189031		1-	A	E2
R 2742	CHIP RES.	47	1/16W	5%	RMC1/16S 470JTH	J24189009		1-	A	G1
R 2743	CHIP RES.	4.7k	1/16W	5%	RMC1/16S 472JTH	J24189033		1-	A	E2
R 2744	CHIP RES.	6.8k	1/16W	1%	RMC1/16SK682FTH	J24189521		1-	A	F2
R 2745	CHIP RES.	12k	1/16W	5%	RMC1/16S 123JTH	J24189038		1-	A	E2
R 2746	CHIP RES.	10k	1/16W	1%	RMC1/16SK103FTH	J24189489		1-	A	F2
R 2747	CHIP RES.	22k	1/16W	5%	RMC1/16S 223JTH	J24189041		1-	A	E5
R 2748	CHIP RES.	4.7k	1/16W	5%	RMC1/16S 472JTH	J24189033		1-	A	E5
R 2749	CHIP RES.	470	1W	5%	RMC1 471JTE	J24305471		1-	A	E6
R 2750	CHIP RES.	4.7k	1/16W	5%	RMC1/16S 472JTH	J24189033		1-	A	E2
R 2751	CHIP RES.	10k	1/16W	5%	RMC1/16S 103JTH	J24189037		1-	A	D6
R 2752	CHIP RES.	47	1/16W	5%	RMC1/16S 470JTH	J24189009		1-	A	E2
R 2753	CHIP RES.	10k	1/16W	5%	RMC1/16S 103JTH	J24189037		1-	A	D6
R 2754	CHIP RES.	470	1/16W	5%	RMC1/16S 471JTH	J24189021		1-	A	E6
R 2755	CHIP RES.	4.7k	1/16W	5%	RMC1/16S 472JTH	J24189033		1-	A	E2
R 2756	CHIP RES.	2.2k	1/16W	5%	RMC1/16S 222JTH	J24189029		1-	A	E5
R 2758	CHIP RES.	3.3k	1/16W	5%	RMC1/16S 332JTH	J24189031		1-	A	D6
R 2759	CHIP RES.	10k	1/16W	5%	RMC1/16S 103JTH	J24189037		1-	A	D6
R 2760	CHIP RES.	1M	1/16W	5%	RMC1/16S 105JTH	J24189061		1-	A	E5
R 2761	CHIP RES.	2.2k	1/16W	5%	RMC1/16S 222JTH	J24189029		1-	A	E5
R 2762	CHIP RES.	4.7k	1/16W	5%	RMC1/16S 472JTH	J24189033		1-	A	D6
R 2763	CHIP RES.	4.7k	1/16W	5%	RMC1/16S 472JTH	J24189033		1-	A	D6
R 2764	CHIP RES.	2.2k	1/16W	5%	RMC1/16S 222JTH	J24189029		1-	A	E5
R 2765	CHIP RES.	330k	1/16W	5%	RMC1/16S 334JTH	J24189055		1-	A	E5
R 2766	CHIP RES.	47	1/16W	5%	RMC1/16S 470JTH	J24189009		1-	A	D6
R 2767	CHIP RES.	470k	1/16W	5%	RMC1/16S 474JTH	J24189057		1-	A	E5
R 2768	CHIP RES.	2.2k	1/16W	5%	RMC1/16S 222JTH	J24189029		1-	A	E5
R 2769	CHIP RES.	47	1/16W	5%	RMC1/16S 470JTH	J24189009		1-	A	E5
R 2772	CHIP RES.	10k	1/16W	5%	RMC1/16S 103JTH	J24189037		1-	A	E5
R 2774	CHIP RES.	330	1/4W	5%	RMC1/4 331JATP	J24245331		1-	A	C6
R 2775	CHIP RES.	150k	1/16W	5%	RMC1/16S 154JTH	J24189051		1-	A	D5
R 2776	CHIP RES.	330k	1/16W	5%	RMC1/16S 334JTH	J24189055		1-	A	D5
R 2777	CHIP RES.	10k	1/16W	5%	RMC1/16S 103JTH	J24189037		1-	A	E5
R 2778	CHIP RES.	100k	1/16W	5%	RMC1/16S 104JTH	J24189049		1-	A	E5
R 2779	CHIP RES.	4.7k	1/16W	5%	RMC1/16S 472JTH	J24189033		1-	A	D5
R 2780	CHIP RES.	100	1/16W	5%	RMC1/16S 101JTH	J24189013		1-	A	D5
R 2781	CHIP RES.	10k	1/16W	5%	RMC1/16S 103JTH	J24189037		1-	A	E5
R 2782	CHIP RES.	47k	1/16W	5%	RMC1/16S 473JTH	J24189045		1-	A	E5
R 2783	CHIP RES.	27k	1/16W	5%	RMC1/16S 273JTH	J24189042		1-	A	D5
R 2784	CHIP RES.	10k	1/16W	5%	RMC1/16S 103JTH	J24189037		1-	A	E4
R 2785	CHIP RES.	15k	1/16W	5%	RMC1/16S 153JTH	J24189039		1-	A	D5
R 2786	CHIP RES.	47	1/16W	5%	RMC1/16S 470JTH	J24189009		1-	A	E4
R 2787	CHIP RES.	470	1/16W	5%	RMC1/16S 471JTH	J24189021		1-	A	E5
R 2788	CHIP RES.	68k	1/16W	5%	RMC1/16S 683JTH	J24189047		1-	A	E5
R 2789	CHIP RES.	10k	1/16W	5%	RMC1/16S 103JTH	J24189037		1-	A	E5
R 2790	CHIP RES.	10k	1/16W	5%	RMC1/16S 103JTH	J24189037		1-	A	E5
R 2791	CHIP RES.	330k	1/16W	5%	RMC1/16S 334JTH	J24189055		1-	A	E4
R 2792	CHIP RES.	470	1/16W	5%	RMC1/16S 471JTH	J24189021		1-	A	E5
R 2794	CHIP RES.	6.8k	1/16W	5%	RMC1/16S 682JTH	J24189035		1-	A	D5
R 2795	CHIP RES.	470	1/16W	5%	RMC1/16S 471JTH	J24189021		1-	A	E5
R 2797	CHIP RES.	1M	1/16W	5%	RMC1/16S 105JTH	J24189061		1-	A	D5
R 2800	CHIP RES.	470k	1/16W	5%	RMC1/16S 474JTH	J24189057		1-	A	D5
R 2801	CHIP RES.	2.2k	1/16W	5%	RMC1/16S 222JTH	J24189029		1-	A	D5
R 2804	CHIP RES.	5.6k	1/16W	1%	RMC1/16SK562FTH	J24189520		1-	A	D5
R 2805	CHIP RES.	220k	1/16W	5%	RMC1/16S 224JTH	J24189053		1-	A	E4
R 2806	CHIP RES.	470k	1/16W	5%	RMC1/16S 474JTH	J24189057		1-	A	D5
R 2808	CHIP RES.	100k	1/16W	5%	RMC1/16S 104JTH	J24189049		1-	A	E5
R 2809	CHIP RES.	68k	1/16W	5%	RMC1/16S 683JTH	J24189047		1-	A	E4
R 2810	CHIP RES.	4.7k	1/16W	5%	RMC1/16S 472JTH	J24189033		1-	A	D5
R 2812	CHIP RES.	100k	1/16W	5%	RMC1/16S 104JTH	J24189049		1-	A	E4
R 2813	CHIP RES.	3.3k	1/16W	5%	RMC1/16S 332JTH	J24189031		1-	A	E4
R 2814	CHIP RES.	22k	1/16W	5%	RMC1/16S 223JTH	J24189041		1-	A	D5
R 2817	CHIP RES.	10k	1/16W	5%	RMC1/16S 103JTH	J24189037		1-	A	D5

MAIN Unit Parts List

REF	DESCRIPTION	VALUE	V/W	TOL.	MFR'S DESIG	YAESU P/N	VERS.	LOT	SIDE	LAY ADR
R 2818	CHIP RES.	3.3k	1/16W	5%	RMC1/16S 332JTH	J24189031		1-	A	E4
R 2819	CHIP RES.	4.7k	1/16W	5%	RMC1/16S 472JTH	J24189033		1-	A	E5
R 2821	CHIP RES.	22k	1/16W	5%	RMC1/16S 223JTH	J24189041		1-	A	E5
R 2822	CHIP RES.	33k	1/16W	5%	RMC1/16S 333JTH	J24189043		1-	A	E5
R 2823	CHIP RES.	1.8k	1/16W	5%	RMC1/16S 182JTH	J24189028		1-	A	E4
R 2824	CHIP RES.	10k	1/16W	5%	RMC1/16S 103JTH	J24189037		1-	A	E4
R 2825	CHIP RES.	100k	1/16W	5%	RMC1/16S 104JTH	J24189049		1-	A	E5
R 2826	CHIP RES.	22k	1/16W	5%	RMC1/16S 223JTH	J24189041		1-	A	E5
R 2827	CHIP RES.	330	1/16W	5%	RMC1/16S 331JTH	J24189019		1-	A	C6
R 2828	CHIP RES.	47	1/16W	5%	RMC1/16S 470JTH	J24189009		1-	B	d5
R 2829	CHIP RES.	22k	1/16W	5%	RMC1/16S 223JTH	J24189041		1-	A	E5
R 2830	CHIP RES.	2.2k	1/16W	5%	RMC1/16S 222JTH	J24189029		1-	A	E5
R 2831	CHIP RES.	0	1/16W	5%	RMC1/16S JPTH	J24189070		1-	A	E5
R 2832	CHIP RES.	220	1/16W	5%	RMC1/16S 221JTH	J24189017		1-	A	E5
R 2834	CHIP RES.	22k	1/16W	5%	RMC1/16S 223JTH	J24189041		1-	A	E3
R 2835	CHIP RES.	1k	1/16W	5%	RMC1/16S 102JTH	J24189025		1-	A	C6
R 2836	CHIP RES.	47	1/16W	5%	RMC1/16S 470JTH	J24189009		1-	A	E4
R 2837	CHIP RES.	10k	1/16W	5%	RMC1/16S 103JTH	J24189037		1-	A	F2
R 2838	CHIP RES.	10k	1/16W	5%	RMC1/16S 103JTH	J24189037		1-	A	F4
R 2839	CHIP RES.	47	1/16W	5%	RMC1/16S 470JTH	J24189009		1-	A	F4
R 2840	CHIP RES.	0	1/16W	5%	RMC1/16S JPTH	J24189070		1-	B	d4
R 2842	CHIP RES.	0	1/16W	5%	RMC1/16S JPTH	J24189070		1-	B	d4
R 2844	CHIP RES.	0	1/16W	5%	RMC1/16S JPTH	J24189070		1-	A	G1
R 2846	CHIP RES.	0	1/16W	5%	RMC1/16S JPTH	J24189070		1-	A	F2
R 2847	CHIP RES.	100k	1/16W	5%	RMC1/16S 104JTH	J24189049		1-	A	D5
R 3001	CHIP RES.	100	1/4W	5%	RMC1/4 101JATP	J24245101		1-	A	A1
R 3002	CHIP RES.	470	1/4W	5%	RMC1/4 471JATP	J24245471		1-	A	A1
R 3003	CHIP RES.	220	1/10W	5%	RMC1/10T 221J	J24205221		1-	A	C2
R 3004	CHIP RES.	220	1/10W	5%	RMC1/10T 221J	J24205221		1-	B	e2
R 3005	CHIP RES.	220	1/10W	5%	RMC1/10T 221J	J24205221		1-	B	e2
R 3006	CHIP RES.	220	1/10W	5%	RMC1/10T 221J	J24205221		1-	B	d2
R 3007	CHIP RES.	330	1/10W	5%	RMC1/10T 331J	J24205331		1-	A	A2
R 3008	CHIP RES.	220	1/10W	5%	RMC1/10T 221J	J24205221		1-	A	B2
R 3009	CHIP RES.	220	1/10W	5%	RMC1/10T 221J	J24205221		1-	A	B2
R 3010	CHIP RES.	220	1/10W	5%	RMC1/10T 221J	J24205221		1-	A	B2
R 3011	CHIP RES.	220	1/10W	5%	RMC1/10T 221J	J24205221		1-	A	B2
R 3012	CHIP RES.	220	1/10W	5%	RMC1/10T 221J	J24205221		1-	A	C2
R 3013	CHIP RES.	220	1/10W	5%	RMC1/10T 221J	J24205221		1-	A	C2
R 3014	CHIP RES.	220	1/10W	5%	RMC1/10T 221J	J24205221		1-	A	C2
R 3015	CHIP RES.	47	1/4W	5%	RMC1/4 470JATP	J24245470		1-	A	A1
R 3016	CHIP RES.	220	1/10W	5%	RMC1/10T 221J	J24205221		1-	A	A2
R 3017	CHIP RES.	220	1/10W	5%	RMC1/10T 221J	J24205221		1-	A	D2
R 3018	CHIP RES.	100	1/16W	5%	RMC1/16 101JATP	J24185101		1-	A	A1
R 3019	CHIP RES.	220	1/10W	5%	RMC1/10T 221J	J24205221		1-	B	h2
R 3020	CHIP RES.	33	1/10W	5%	RMC1/10T 330J	J24205330		1-	A	A2
R 3021	CHIP RES.	56	1/4W	5%	RMC1/4 560JATP	J24245560		1-	A	A1
R 3022	CHIP RES.	150	1/4W	5%	RMC1/4 151JATP	J24245151		1-	A	A1
R 3023	CHIP RES.	220	1/10W	5%	RMC1/10T 221J	J24205221		1-	B	d3
R 3024	CHIP RES.	100	1/16W	5%	RMC1/16 101JATP	J24185101		1-	A	A1
R 3025	CHIP RES.	330	1/10W	5%	RMC1/10T 331J	J24205331		1-	A	E3
R 3026	CHIP RES.	33	1/10W	5%	RMC1/10T 330J	J24205330		1-	A	E3
R 3027	CHIP RES.	220	1/10W	5%	RMC1/10T 221J	J24205221		1-	B	e3
R 3028	CHIP RES.	220	1/10W	5%	RMC1/10T 221J	J24205221		1-	B	e3
R 3029	CHIP RES.	47	1/4W	5%	RMC1/4 470JATP	J24245470		1-	A	D3
R 3030	CHIP RES.	33	1/10W	5%	RMC1/10T 330J	J24205330		1-	B	g2
R 3031	CHIP RES.	100	1/16W	5%	RMC1/16 101JATP	J24185101		1-	A	D3
R 3032	CHIP RES.	100	1/4W	5%	RMC1/4 101JATP	J24245101		1-	A	B1
R 3033	CHIP RES.	82	1/4W	5%	RMC1/4 820JATP	J24245820		1-	B	g1
R 3034	CHIP RES.	33	1/16W	5%	RMC1/16 330JATP	J24185330		1-	A	D3
R 3035	CHIP RES.	470	1/16W	5%	RMC1/16 471JATP	J24185471		1-	A	D3
R 3036	CHIP RES.	1.8k	1/16W	5%	RMC1/16 182JATP	J24185182		1-	A	D3
R 3037	CHIP RES.	220	1/10W	5%	RMC1/10T 221J	J24205221		1-	A	B3
R 3038	CHIP RES.	220	1/10W	5%	RMC1/10T 221J	J24205221		1-	A	A2
R 3039	CHIP RES.	220	1/10W	5%	RMC1/10T 221J	J24205221		1-	A	B3
R 3040	CHIP RES.	220	1/10W	5%	RMC1/10T 221J	J24205221		1-	A	B2
R 3041	CHIP RES.	220	1/10W	5%	RMC1/10T 221J	J24205221		1-	A	B3
R 3042	CHIP RES.	220	1/10W	5%	RMC1/10T 221J	J24205221		1-	A	C3
R 3043	CHIP RES.	220	1/10W	5%	RMC1/10T 221J	J24205221		1-	A	C3
R 3044	CHIP RES.	220	1/10W	5%	RMC1/10T 221J	J24205221		1-	A	C3
R 3045	CHIP RES.	220	1/10W	5%	RMC1/10T 221J	J24205221		1-	A	C3
R 3046	CHIP RES.	220	1/10W	5%	RMC1/10T 221J	J24205221		1-	A	D3
R 3047	CHIP RES.	10	1/16W	5%	RMC1/16 100JATP	J24185100		1-	A	D3
R 3048	CHIP RES.	220	1/10W	5%	RMC1/10T 221J	J24205221		1-	B	e3
R 3049	CHIP RES.	100	1/16W	5%	RMC1/16 101JATP	J24185101		1-	A	B1
R 3050	CHIP RES.	10	1/16W	5%	RMC1/16 100JATP	J24185100		1-	B	e3

MAIN Unit Parts List

REF	DESCRIPTION	VALUE	V/W	TOL.	MFR'S DESIG	YAESU P/N	VERS.	LOT	SIDE	LAY ADR
R 3051	CHIP RES.	330	1/10W	5%	RMC1/10T 331J	J24205331		1-	B	g2
R 3052	CHIP RES.	330	1/10W	5%	RMC1/10T 331J	J24205331		1-	A	A3
R 3053	CHIP RES.	33	1/10W	5%	RMC1/10T 330J	J24205330		1-	A	D2
R 3054	CHIP RES.	33	1/10W	5%	RMC1/10T 330J	J24205330		1-	B	h1
R 3055	CHIP RES.	33	1/10W	5%	RMC1/10T 330J	J24205330		1-	B	h1
R 3056	CHIP RES.	33	1/10W	5%	RMC1/10T 330J	J24205330		1-	B	h1
R 3057	CHIP RES.	33	1/10W	5%	RMC1/10T 330J	J24205330		1-	B	h1
R 3058	CHIP RES.	33	1/10W	5%	RMC1/10T 330J	J24205330		1-	B	h1
R 3059	CHIP RES.	33	1/10W	5%	RMC1/10T 330J	J24205330		1-	B	g1
R 3060	CHIP RES.	33	1/10W	5%	RMC1/10T 330J	J24205330		1-	B	g1
R 3061	CHIP RES.	33	1/10W	5%	RMC1/10T 330J	J24205330		1-	A	C2
R 3062	CHIP RES.	33	1/10W	5%	RMC1/10T 330J	J24205330		1-	A	C2
R 3063	CHIP RES.	33	1/10W	5%	RMC1/10T 330J	J24205330		1-	A	C2
R 3064	CHIP RES.	33	1/10W	5%	RMC1/10T 330J	J24205330		1-	A	D2
R 3065	CHIP RES.	33	1/10W	5%	RMC1/10T 330J	J24205330		1-	A	D2
R 3066	CHIP RES.	33	1/10W	5%	RMC1/10T 330J	J24205330		1-	A	D2
R 3067	CHIP RES.	10k	1/16W	5%	RMC1/16 103JATP	J24185103		1-	A	D1
R 3068	CHIP RES.	10k	1/16W	5%	RMC1/16 103JATP	J24185103		1-	B	h1
R 3069	CHIP RES.	10k	1/16W	5%	RMC1/16 103JATP	J24185103		1-	B	h1
R 3070	CHIP RES.	10k	1/16W	5%	RMC1/16 103JATP	J24185103		1-	B	h1
R 3071	CHIP RES.	10k	1/16W	5%	RMC1/16 103JATP	J24185103		1-	B	h1
R 3072	CHIP RES.	10k	1/16W	5%	RMC1/16 103JATP	J24185103		1-	B	g1
R 3073	CHIP RES.	10k	1/16W	5%	RMC1/16 103JATP	J24185103		1-	B	g1
R 3074	CHIP RES.	10k	1/16W	5%	RMC1/16 103JATP	J24185103		1-	B	g1
R 3075	CHIP RES.	10k	1/16W	5%	RMC1/16 103JATP	J24185103		1-	A	C1
R 3076	CHIP RES.	10k	1/16W	5%	RMC1/16 103JATP	J24185103		1-	A	C1
R 3077	CHIP RES.	10k	1/16W	5%	RMC1/16 103JATP	J24185103		1-	A	C1
R 3078	CHIP RES.	10k	1/16W	5%	RMC1/16 103JATP	J24185103		1-	A	D1
R 3079	CHIP RES.	10k	1/16W	5%	RMC1/16 103JATP	J24185103		1-	A	D1
R 3080	CHIP RES.	10k	1/16W	5%	RMC1/16 103JATP	J24185103		1-	A	D1
R 3081	CHIP RES.	33	1/10W	5%	RMC1/10T 330J	J24205330		1-	A	A3
R 3082	CHIP RES.	150	1/10W	5%	RMC1/10T 151J	J24205151		1-	B	h2
R 3083	CHIP RES.	3.3k	1/16W	5%	RMC1/16 332JATP	J24185332		1-	B	g2
R 3084	CHIP RES.	10k	1/16W	5%	RMC1/16 103JATP	J24185103		1-	A	E2
R 3085	CHIP RES.	33	1/10W	5%	RMC1/10T 330J	J24205330		1-	A	E2
R 3086	CHIP RES.	47k	1/16W	5%	RMC1/16 473JATP	J24185473		1-	B	d2
R 3087	CHIP RES.	10k	1/16W	5%	RMC1/16 103JATP	J24185103		1-	A	D1
R 3088	CHIP RES.	33	1/10W	5%	RMC1/10T 330J	J24205330		1-	A	D2
R 3089	CHIP RES.	470	1/16W	5%	RMC1/16 471JATP	J24185471		1-	B	d2
R 3090	CHIP RES.	470	1/16W	5%	RMC1/16 471JATP	J24185471		1-	B	d2
R 3091	CHIP RES.	33	1/10W	5%	RMC1/10T 330J	J24205330		1-	B	g1
R 3092	CHIP RES.	470	1/16W	5%	RMC1/16 471JATP	J24185471		1-	B	d2
R 3093	CHIP RES.	10k	1/16W	5%	RMC1/16 103JATP	J24185103		1-	A	E2
R 3094	CHIP RES.	33	1/10W	5%	RMC1/10T 330J	J24205330		1-	A	E2
R 3095	CHIP RES.	10k	1/16W	5%	RMC1/16 103JATP	J24185103		1-	A	E2
R 3096	CHIP RES.	470	1/16W	5%	RMC1/16 471JATP	J24185471		1-	A	A6
R 3097	CHIP RES.	33	1/10W	5%	RMC1/10T 330J	J24205330		1-	A	E2
R 3098	CHIP RES.	47	1/4W	5%	RMC1/4 470JATP	J24245470		1-	A	A3
R 3099	CHIP RES.	100	1/16W	5%	RMC1/16 101JATP	J24185101		1-	A	A3
R 3100	CHIP RES.	33	1/16W	5%	RMC1/16 330JATP	J24185330		1-	A	A3
R 3101	CHIP RES.	270	1/16W	5%	RMC1/16 271JATP	J24185271		1-	A	A3
R 3102	CHIP RES.	1.8k	1/16W	5%	RMC1/16 182JATP	J24185182		1-	A	A3
R 3103	CHIP RES.	10	1/10W	5%	RMC1/10T 100J	J24205100		1-	A	A3
R 3104	CHIP RES.	82	1/16W	1%	RMC1/16 820FTP	J24183820		1-	A	A4
R 3105	CHIP RES.	0	1/16W	5%	RMC1/16 000JATP	J24185000		1-	A	A3
R 3106	CHIP RES.	100	1/16W	1%	RMC1/16 101FTP	J24183101		1-	A	A4
R 3107	CHIP RES.	10	1/10W	5%	RMC1/10T 100J	J24205100		1-	A	A3
R 3108	CHIP RES.	0	1/16W	5%	RMC1/16 000JATP	J24185000		1-	B	d2
R 3109	CHIP RES.	0	1/16W	5%	RMC1/16 000JATP	J24185000		1-	B	d2
R 3110	CHIP RES.	0	1/16W	5%	RMC1/16 000JATP	J24185000		1-	B	d2
R 3111	CHIP RES.	100	1/16W	1%	RMC1/16 101FTP	J24183101		1-	A	A4
R 3112	CHIP RES.	0	1/16W	5%	RMC1/16 000JATP	J24185000		1-	A	B5
R 3114	CHIP RES.	330	1/10W	5%	RMC1/10T 331J	J24205331		1-	A	A6
R 3115	CHIP RES.	5.6	1/16W	5%	RMC1/16 5R6JATP	J24185569		1-	A	A6
R 3116	CHIP RES.	330	1/16W	5%	RMC1/16 331JATP	J24185331		1-	A	B4
R 3117	CHIP RES.	100	1/16W	5%	RMC1/16 101JATP	J24185101		1-	A	B3
R 3118	CHIP RES.	15	1/16W	5%	RMC1/16 150JATP	J24185150		1-	A	B3
R 3119	CHIP RES.	1k	1/16W	5%	RMC1/16 102JATP	J24185102		1-	A	B4
R 3120	CHIP RES.	0	1/16W	5%	RMC1/16 000JATP	J24185000		1-	A	B4
R 3121	CHIP RES.	100	1/16W	1%	RMC1/16 101FTP	J24183101		1-	A	A5
R 3122	CHIP RES.	330	1/16W	5%	RMC1/16 331JATP	J24185331		1-	A	B3
R 3124	CHIP RES.	4.7k	1/16W	1%	RMC1/16 472FTP	J24183472		1-	A	B5
R 3125	CHIP RES.	220	1/10W	5%	RMC1/10T 221J	J24205221		1-	A	A7
R 3126	CHIP RES.	220	1/10W	5%	RMC1/10T 221J	J24205221		1-	A	A7
R 3127	CHIP RES.	220	1/10W	5%	RMC1/10T 221J	J24205221		1-	A	A6

MAIN Unit Parts List

REF	DESCRIPTION	VALUE	V/W	TOL.	MFR'S DESIG	YAESU P/N	VERS.	LOT	SIDE	LAY ADR
R 3128	CHIP RES.	2.2k	1/16W	1%	RMC1/16 222FTP	J24183222		1-	A	B5
R 3129	CHIP RES.	47	1/4W	5%	RMC1/4 470JATP	J24245470		1-	A	B4
R 3130	CHIP RES.	10	1/10W	5%	RMC1/10T 100J	J24205100		1-	A	A5
R 3131	CHIP RES.	6.8k	1/16W	5%	RMC1/16 682JATP	J24185682		1-	A	A7
R 3132	CHIP RES.	27k	1/16W	5%	RMC1/16 273JATP	J24185273		1-	A	A7
R 3133	CHIP RES.	100k	1/16W	5%	RMC1/16 104JATP	J24185104		1-	A	A6
R 3134	CHIP RES.	10k	1/16W	1%	RMC1/16 103FTP	J24183103		1-	A	A5
R 3135	CHIP RES.	68	1/16W	5%	RMC1/16 680JATP	J24185680		1-	A	A7
R 3136	CHIP RES.	18	1/16W	5%	RMC1/16 180JATP	J24185180		1-	A	A7
R 3137	CHIP RES.	4.7	1/16W	5%	RMC1/16 4R7JATP	J24185479		1-	A	A6
R 3139	CHIP RES.	100	1/16W	5%	RMC1/16 101JATP	J24185101		1-	A	B3
R 3140	CHIP RES.	4.7k	1/16W	1%	RMC1/16 472FTP	J24183472		1-	A	A5
R 3141	CHIP RES.	4.7k	1/16W	5%	RMC1/16 472JATP	J24185472		1-	A	B5
R 3142	CHIP RES.	6.8k	1/16W	5%	RMC1/16 682JATP	J24185682		1-	A	A7
R 3143	CHIP RES.	27k	1/16W	5%	RMC1/16 273JATP	J24185273		1-	A	A7
R 3144	CHIP RES.	100k	1/16W	5%	RMC1/16 104JATP	J24185104		1-	A	A6
R 3145	CHIP RES.	100	1/16W	5%	RMC1/16 101JATP	J24185101		1-	A	A4
R 3146	CHIP RES.	4.7k	1/16W	1%	RMC1/16 472FTP	J24183472		1-	A	A5
R 3147	CHIP RES.	68	1/16W	5%	RMC1/16 680JATP	J24185680		1-	A	A4
R 3148	CHIP RES.	33	1/16W	5%	RMC1/16 330JATP	J24185330		1-	A	B3
R 3149	CHIP RES.	6.8k	1/16W	5%	RMC1/16 682JATP	J24185682		1-	A	B5
R 3150	CHIP RES.	470	1/16W	5%	RMC1/16 471JATP	J24185471		1-	A	B3
R 3151	CHIP RES.	100	1/16W	5%	RMC1/16 101JATP	J24185101		1-	A	B4
R 3152	CHIP RES.	1.8k	1/16W	5%	RMC1/16 182JATP	J24185182		1-	A	B3
R 3153	CHIP RES.	10	1/10W	5%	RMC1/10T 100J	J24205100		1-	A	A5
R 3154	CHIP RES.	47k	1/16W	5%	RMC1/16 473JATP	J24185473		1-	A	B5
R 3155	CHIP RES.	10	1/10W	5%	RMC1/10T 100J	J24205100		1-	A	A5
R 3156	CHIP RES.	100k	1/16W	5%	RMC1/16 104JATP	J24185104		1-	A	B5
R 3157	CHIP RES.	10	1/10W	5%	RMC1/10T 100J	J24205100		1-	A	B3
R 3158	CHIP RES.	10	1/10W	5%	RMC1/10T 100J	J24205100		1-	A	B3
R 3159	CHIP RES.	8.2k	1/16W	5%	RMC1/16 822JATP	J24185822		1-	A	B5
R 3160	CHIP RES.	220	1/16W	5%	RMC1/16 221JATP	J24185221		1-	A	B4
R 3161	CHIP RES.	470	1/10W	5%	RMC1/10T 471J	J24205471		1-	A	A5
R 3162	CHIP RES.	22k	1/16W	5%	RMC1/16 223JATP	J24185223		1-	A	B5
R 3163	CHIP RES.	68	1/16W	5%	RMC1/16 680JATP	J24185680		1-	A	B4
R 3164	CHIP RES.	68	1/16W	5%	RMC1/16 680JATP	J24185680		1-	A	B4
R 3166	CHIP RES.	51	1/16W	1%	RMC1/16 510FTP	J24183510		1-	A	A5
R 3167	CHIP RES.	220	1/10W	5%	RMC1/10T 221J	J24205221		1-	A	B7
R 3168	CHIP RES.	220	1/10W	5%	RMC1/10T 221J	J24205221		1-	A	C7
R 3169	CHIP RES.	220	1/10W	5%	RMC1/10T 221J	J24205221		1-	A	C7
R 3172	CHIP RES.	4.7k	1/16W	5%	RMC1/16 472JATP	J24185472		1-	A	C5
R 3173	CHIP RES.	10	1/16W	5%	RMC1/16 100JATP	J24185100		1-	A	B5
R 3174	CHIP RES.	470	1/16W	5%	RMC1/16 471JATP	J24185471		1-	A	B6
R 3175	CHIP RES.	5.1k	1/16W	1%	RMC1/16 512FTP	J24183512		1-	A	A6
R 3177	CHIP RES.	82	1/10W	5%	RMC1/10T 820J	J24205820		1-	A	B4
R 3178	CHIP RES.	82	1/10W	5%	RMC1/10T 820J	J24205820		1-	A	B4
R 3179	CHIP RES.	51	1/16W	1%	RMC1/16 510FTP	J24183510		1-	A	A6
R 3180	CHIP RES.	10k	1/16W	5%	RMC1/16 103JATP	J24185103		1-	A	B4
R 3182	CHIP RES.	0	1/16W	5%	RMC1/16 000JATP	J24185000		1-	A	B4
R 3183	CHIP RES.	43k	1/16W	1%	RMC1/16 433FTP	J24183433		1-	A	A6
R 3185	CHIP RES.	100	1/16W	5%	RMC1/16 101JATP	J24185101		1-	A	C5
R 3186	CHIP RES.	56	1/4W	5%	RMC1/4 560JATP	J24245560		1-	A	A6
R 3188	CHIP RES.	330	1/10W	5%	RMC1/10T 331J	J24205331		1-	A	D6
R 3189	CHIP RES.	470	1/16W	5%	RMC1/16 471JATP	J24185471		1-	A	B5
R 3190	CHIP RES.	100	1/16W	5%	RMC1/16 101JATP	J24185101		1-	A	A6
R 3191	CHIP RES.	0	1/16W	5%	RMC1/16 000JATP	J24185000		1-	A	C5
R 3192	CHIP RES.	0	1/16W	5%	RMC1/16 000JATP	J24185000		1-	A	C5
R 3193	CHIP RES.	560	1/16W	5%	RMC1/16 561JATP	J24185561		1-	A	C5
R 3194	CHIP RES.	330	1/16W	5%	RMC1/16 331JATP	J24185331		1-	A	A6
R 3195	CHIP RES.	8.2	1/16W	5%	RMC1/16 8R2JATP	J24185829		1-	A	C5
R 3197	CHIP RES.	1.8k	1/16W	5%	RMC1/16 182JATP	J24185182		1-	A	A6
R 3199	CHIP RES.	560	1/16W	5%	RMC1/16 561JATP	J24185561		1-	A	C5
R 3201	CHIP RES.	0	1/16W	5%	RMC1/16 000JATP	J24185000		1-	A	C5
R 3203	CHIP RES.	15k	1/16W	5%	RMC1/16 153JATP	J24185153		1-	A	C5
R 3204	CHIP RES.	0	1/16W	5%	RMC1/16 000JATP	J24185000		1-	A	A6
R 3206	CHIP RES.	0	1/16W	5%	RMC1/16 000JATP	J24185000		1-	A	C4
R 3208	CHIP RES.	10	1/10W	5%	RMC1/10T 100J	J24205100		1-	A	A6
R 3209	CHIP RES.	10	1/10W	5%	RMC1/10T 100J	J24205100		1-	A	A6
R 3212	CHIP RES.	15k	1/16W	5%	RMC1/16 153JATP	J24185153		1-	A	C4
R 3213	CHIP RES.	0	1/16W	5%	RMC1/16 000JATP	J24185000		1-	A	D5
R 3217	CHIP RES.	82	1/10W	5%	RMC1/10T 820J	J24205820		1-	A	C4
R 3218	CHIP RES.	82	1/10W	5%	RMC1/10T 820J	J24205820		1-	A	C4
R 3219	CHIP RES.	0	1/16W	5%	RMC1/16 000JATP	J24185000		1-	A	D5
R 3220	CHIP RES.	51	1/16W	1%	RMC1/16 510FTP	J24183510		1-	A	B5
R 3225	CHIP RES.	68	1/10W	5%	RMC1/10T 680J	J24205680		1-	A	D6

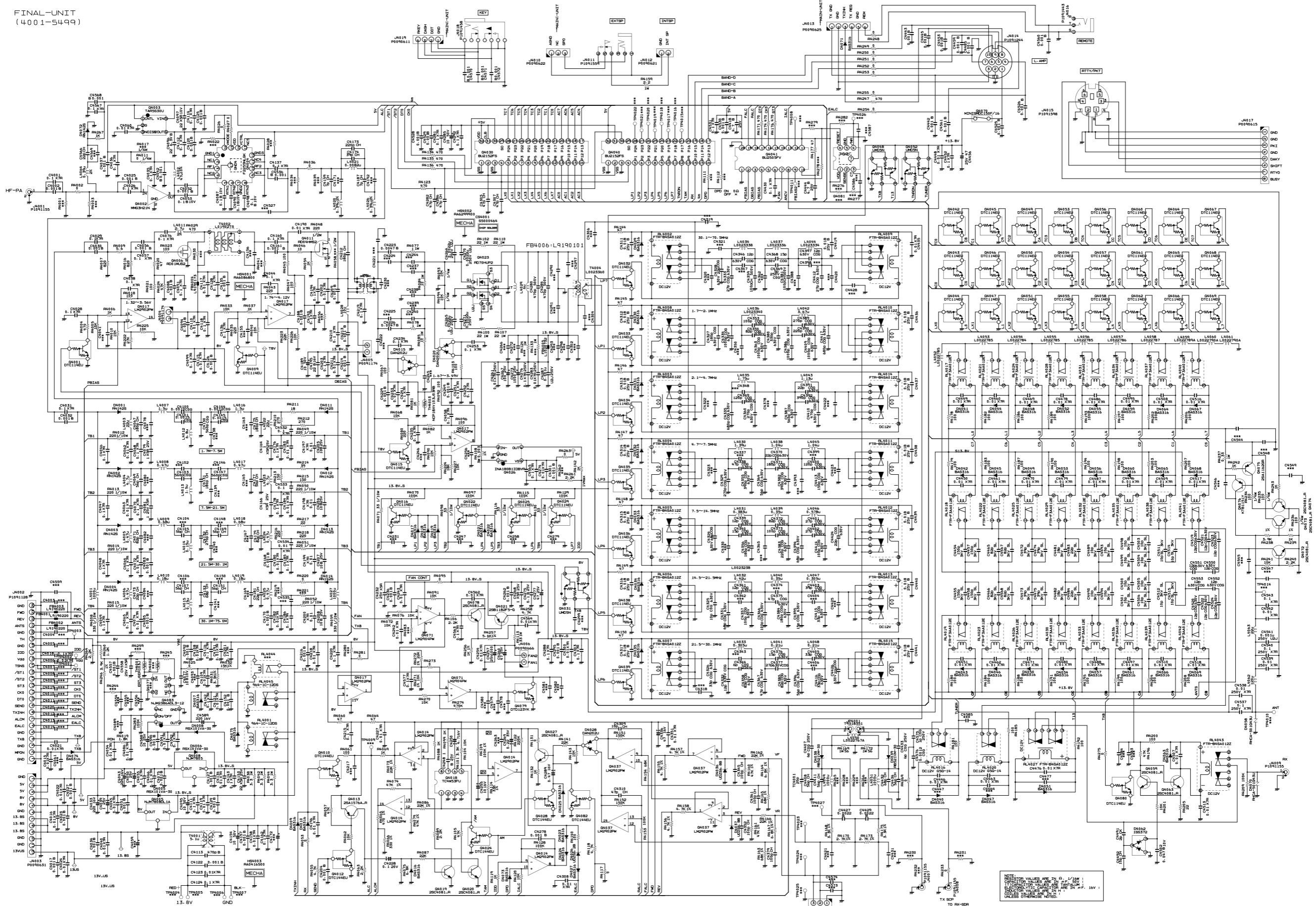
MAIN Unit Parts List

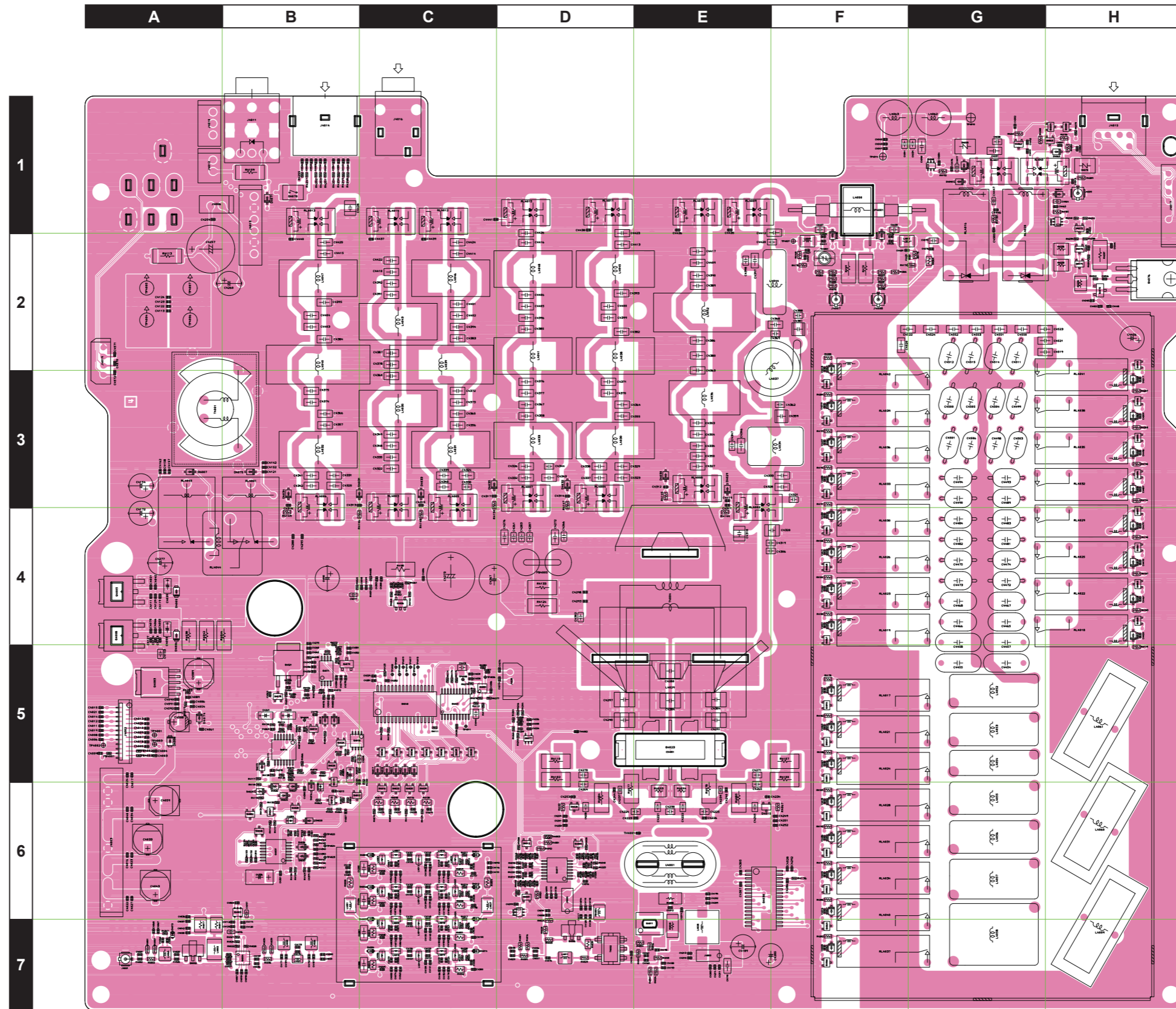
REF	DESCRIPTION	VALUE	V/W	TOL.	MFR'S DESIG	YAESU P/N	VERS.	LOT	SIDE	LAY ADR
R 3226	CHIP RES.	68	1/10W	5%	RMC1/10T 680J	J24205680		1-	A	D6
R 3230	CHIP RES.	100	1/16W	5%	RMC1/16 101JATP	J24185101		1-	A	D4
R 3235	CHIP RES.	1k	1/16W	5%	RMC1/16 102JATP	J24185102		2-	A	A6
R 3242	CHIP RES.	10k	1/16W	5%	RMC1/16 103JATP	J24185103		1-	A	E2
R 3243	CHIP RES.	33	1/10W	5%	RMC1/10T 330J	J24205330		1-	A	E2
R 3244	CHIP RES.	220	1/10W	5%	RMC1/10T 221J	J24205221		1-	A	A2
R 3245	CHIP RES.	220	1/10W	5%	RMC1/10T 221J	J24205221		1-	A	A2
R 3246	CHIP RES.	10k	1/16W	5%	RMC1/16 103JATP	J24185103		1-	A	D1
R 3247	CHIP RES.	33	1/10W	5%	RMC1/10T 330J	J24205330		1-	A	D2
R 3252	CHIP RES.	330	1/10W	5%	RMC1/10T 331J	J24205331		1-	B	f4
R 3253	CHIP RES.	330	1/10W	5%	RMC1/10T 331J	J24205331		1-	B	e4
R 3254	CHIP RES.	33	1/10W	5%	RMC1/10T 330J	J24205330		1-	B	f3
R 3255	CHIP RES.	33	1/10W	5%	RMC1/10T 330J	J24205330		1-	B	e4
R 3256	CHIP RES.	220	1/10W	5%	RMC1/10T 221J	J24205221		1-	B	f4
R 3257	CHIP RES.	220	1/10W	5%	RMC1/10T 221J	J24205221		1-	A	C3
R 3258	CHIP RES.	220	1/10W	5%	RMC1/10T 221J	J24205221		1-	A	C3
R 3259	CHIP RES.	33	1/10W	5%	RMC1/10T 330J	J24205330		1-	A	D2
R 3260	CHIP RES.	3.3k	1/16W	5%	RMC1/16 332JATP	J24185332		1-	A	D1
R 3262	CHIP RES.	33	1/10W	5%	RMC1/10T 330J	J24205330		1-	A	E1
R 3269	CHIP RES.	220	1/10W	5%	RMC1/10T 221J	J24205221		1-	A	B6
R 3270	CHIP RES.	220	1/10W	5%	RMC1/10T 221J	J24205221		1-	A	C6
R 3271	CHIP RES.	100k	1/16W	5%	RMC1/16 104JATP	J24185104		1-	A	B6
R 3272	CHIP RES.	100k	1/16W	5%	RMC1/16 104JATP	J24185104		1-	A	B6
R 3273	CHIP RES.	4.7	1/16W	5%	RMC1/16 4R7JATP	J24185479		1-	A	B6
R 3277	CHIP RES.	0	1/16W	5%	RMC1/16 000JATP	J24185000		1-	A	F7
R 3278	CHIP RES.	0	1/16W	5%	RMC1/16 000JATP	J24185000		1-	A	F7
R 3282	CHIP RES.	0	1/16W	5%	RMC1/16 000JATP	J24185000		1-	A	B2
R 3285	CHIP RES.	220	1/10W	5%	RMC1/10T 221J	J24205221		1-	B	g2
R 3286	CHIP RES.	220	1/10W	5%	RMC1/10T 221J	J24205221		1-	B	h2
R 3287	CHIP RES.	33	1/10W	5%	RMC1/10T 330J	J24205330		1-	B	g2
R 3294	CHIP RES.	4.7k	1/16W	5%	RMC1/16 472JATP	J24185472		1-	A	B5
R 3295	CHIP RES.	4.7k	1/16W	5%	RMC1/16 472JATP	J24185472		1-	A	E1
R 3296	CHIP RES.	4.7k	1/16W	5%	RMC1/16 472JATP	J24185472		1-	B	g2
R 3297	CHIP RES.	330	1/16W	5%	RMC1/16S 331JTH	J24189019		1-	A	D3
R 3298	CHIP RES.	15	1/16W	5%	RMC1/16S 150JTH	J24189003		1-	A	D3
R 3299	CHIP RES.	330	1/16W	5%	RMC1/16S 331JTH	J24189019		1-	A	D3
R 3300	CHIP RES.	27	1/16W	5%	RMC1/16 270JATP	J24185270		1-	A	A2
R 3301	CHIP RES.	33	1/16W	5%	RMC1/16 330JATP	J24185330		1-	A	A2
R 3302	CHIP RES.	27	1/16W	5%	RMC1/16 270JATP	J24185270		1-	A	A2
R 3303	CHIP RES.	0	1/16W	5%	RMC1/16 000JATP	J24185000		1-	B	g1
R 3306	CHIP RES.	0	1/16W	5%	RMC1/16 000JATP	J24185000		1-	A	D5
R 3307	CHIP RES.	0	1/16W	5%	RMC1/16S JPTH	J24189070		1-		
R 3308	CHIP RES.	470	1/16W	5%	RMC1/16S 471JTH	J24189021		2-		
RB1001	BLOCK RES.				RAC104D332JCTH	J42900041		1-	A	F6
RB1002	BLOCK RES.				RAC104D103JCTP	J42900024		1-	A	F6
RB1003	BLOCK RES.				RAC104D103JCTP	J42900024		1-	A	F7
RB1004	BLOCK RES.				RAC104D103JCTP	J42900024		1-	A	F6
RB1005	BLOCK RES.				RAC104D103JCTP	J42900024		1-	A	F7
RB1006	BLOCK RES.				RAC104D103JCTP	J42900024		1-	A	F6
RB1007	BLOCK RES.				RAC104D103JCTP	J42900024		1-	A	F6
RB1008	BLOCK RES.				RAC104D103JCTP	J42900024		1-	A	F7
RB1801	BLOCK RES.				RAC104D680JCTH	J42900058		1-	A	H1
RB1802	BLOCK RES.				RAC104D680JCTH	J42900058		1-	A	H1
RB1803	BLOCK RES.				RAC104D680JCTH	J42900058		1-	A	H1
RB1804	BLOCK RES.				RAC104D680JCTH	J42900058		1-	A	H1
RB1805	BLOCK RES.				RAC104D680JCTH	J42900058		1-	A	H1
RB1806	BLOCK RES.				RAC104D680JCTH	J42900058		1-	A	H1
RB1807	BLOCK RES.				EXB24VR000X	J42900060		1-	A	H2
RB1808	BLOCK RES.				EXB24VR000X	J42900060		1-	A	H2
RB1809	BLOCK RES.				EXB24VR000X	J42900060		1-	A	H2
RB1810	BLOCK RES.				EXB24VR000X	J42900060		1-	A	H2
RB2003	BLOCK RES.				RAC104D332JCTH	J42900041		1-	A	G3
RB2004	BLOCK RES.				RAC104D332JCTH	J42900041		1-	A	G3
RL2501	RELAY		DC12V		FTR-B4SA012Z-B05	M1190209		1-	A	C7
RL3001	RELAY		DC12V		FTR-B4SA012Z-B05	M1190209		1-	A	A1
RL3002	RELAY		DC12V		FTR-B4SA012Z-B05	M1190209		1-	A	A1
RL3003	RELAY		DC12V		FTR-B4SA012Z-B05	M1190209		1-	A	B1
RL3004	RELAY		DC12V		FTR-B4SA012Z-B05	M1190209		1-	A	B3
RL3005	RELAY		DC12V		FTR-B4SA012Z-B05	M1190209		1-	A	D4
S 1001	SLIDE SWITCH				SSSS820201	N6090107		1	A	H6
T 3001	COIL WIDE-TRANS.				050812564 92H5	L0022619A		1-	A	D3
T 3002	BALUN TRANSFORMER\$				120491012A	L0023160		1-	A	A3
T 3003	BALUN TRANSFORMER\$				100812913A	L0023088		1-	A	A4
T 3004	BALUN TRANSFORMER\$				070812736D	L0023047		1-	A	A4
T 3005	BALUN TRANSFORMER\$				080812769	L0023049		1-	A	A6

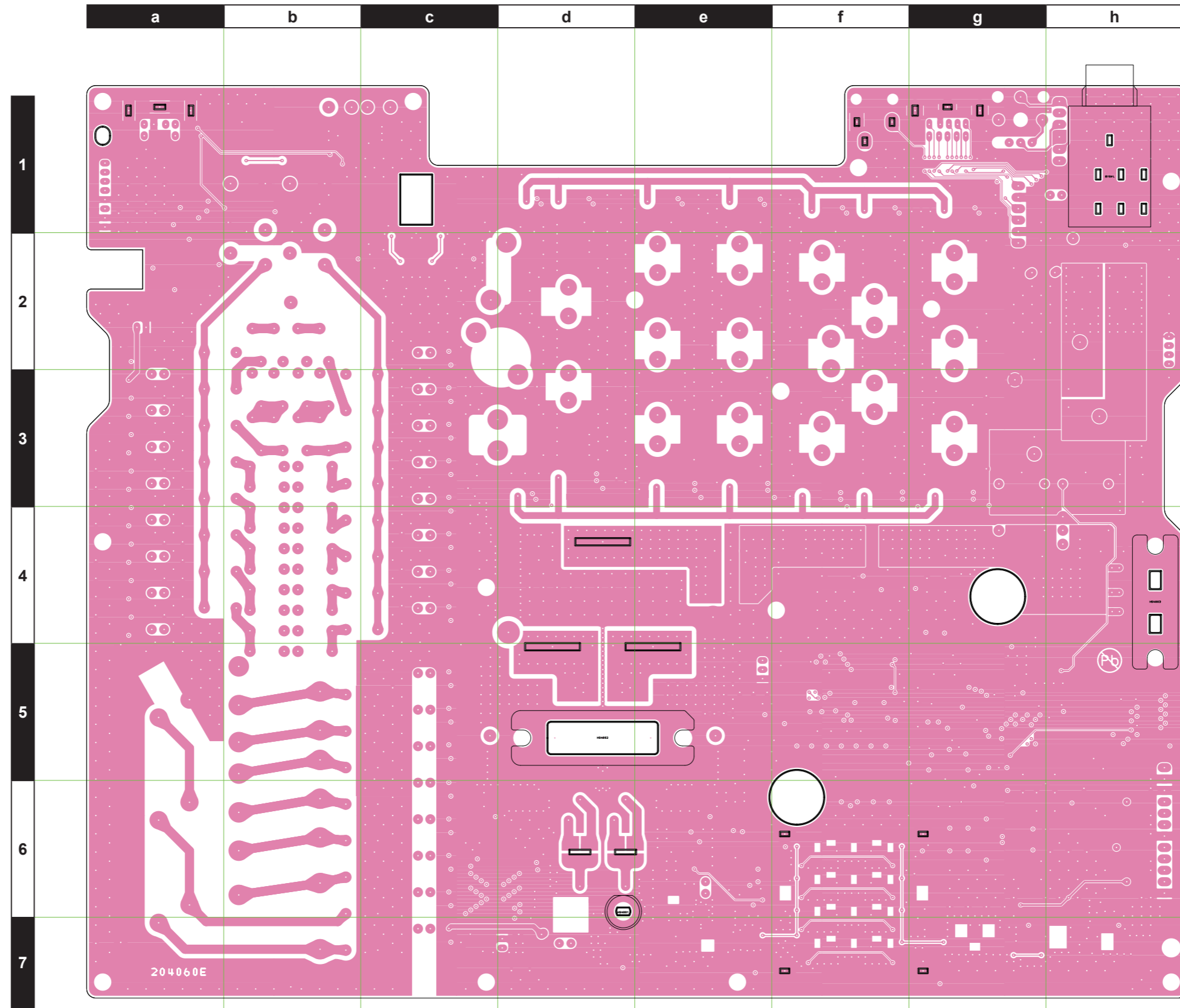
MAIN Unit Parts List

REF	DESCRIPTION	VALUE	V/W	TOL.	MFR'S DESIG	YAESU P/N	VERS.	LOT	SIDE	LAY ADR
T 3006	BALUN TRANSFOMERS				#458PT-1917	L0023156		1-	A	A5
T 3007	BALUN TRANSFOMERS				#458PT-1917	L0023156		1-	A	A5
T 3008	COIL WIDE-TRANS.				050812564 92H5	L0022619A		1-	A	B3
T 3009	BALUN TRANSFOMERS				#458PT-1917	L0023156		1-	A	A5
T 3010	BALUN TRANSFOMERS				#458PT-1565	L0190273		1-	A	C5
T 3011	BALUN TRANSFOMERS				080812769	L0023049		1-	A	C6
T 3012	BALUN TRANSFOMERS				120491012A	L0023160		1-	A	A6
T 3014	BALUN TRANSFOMERS				BTS-3967	L0190295		1-	A	D4
T 3015	BALUN TRANSFOMERS				BTS-3967	L0190295		1-	A	D5
T 3016	BALUN TRANSFOMERS				BTS-3967	L0190295		1-	A	D4
T 3017	BALUN TRANSFOMERS				BTS-3967	L0190295		1-	A	D3
TP1097	CHECK TERMINAL				RCTCTE	Q5000103		1-	A	E3
TP2519	CHECK TERMINAL				RCTCTE	Q5000103		1-	A	E5
TP2520	CHECK TERMINAL				RCTCTE	Q5000103		1-	A	D5
TP3005	CHECK TERMINAL				RCTCTE	Q5000103		1-	A	B5
VR2501	POT.	10k			VG039NSNXTB103	J51848103		1-	A	D5
VR3001	POT.	100			VG039NSNXTB101	J51848101		1-	A	A4
X 1001	XTAL DSX321G	11.1MHz			DSX321G 11.100MHZ	H0103446		1-	A	F5
X 1003	VCTCXO	35.7142MHz			DSA211SDN-35.7142MHZ	H9501965		1-	A	G2
X 1801	XTAL DSX321G	24MHz			DSX321G 24.000MHZ	H0103444		1-	A	H1
X 2501	XTAL DSX321G	24MHz			DSX321G 24.000MHZ	H0103444		1-	A	G1
X 2502	XTAL DSX321G	12MHz			DSX321G 12.000MHZ	H0103442		1-	A	F2
XF3001	XTAL FILTER	9.005MHz			9M12B2-9.005MHZ	H1102522		1-	A	A7
XF3002	XTAL FILTER	9.005MHz			9M12B2-9.005MHZ	H1102522		1-	A	B7
XF3003	XTAL FILTER	9.005MHz			9M3B-9.005MHZ	H1102549		1-	A	B7
XF3004	XTAL FILTER	9.005MHz			9M3B-9.005MHZ	H1102549		1-	A	B7
XF3007	XTAL FILTER	9.005MHz			M09F05E-9.005MHZ	H1102547		1-	A	C6
	SHIELD CASE				(BPF)	RA0961600		1-		
	SHIELD CASE COVER				(BPF)	RA0961700		1-		
	SHIELD CASE				(37x30.5)	RA6079500		1-		
	SHIELD CASE COVER				(37x30.5)	RA1152400		1-		
	GASKET				(2.5x10)	RA6334600		1-		
	GROUND PLATE					RA626910A		1-		
	LEAF SPRING					RA626920B		1-		
	SHIELD CASE COVER				(13P)	RA6341200		1-		

FINAL-UNIT
(4001-5499)







FINAL Unit Parts List

REF	DESCRIPTION	VALUE	V/W	TOL.	MFR'S DESIG	YAESU P/N	VERS.	LOT	SIDE	LAY ADR
C 4001	CHIP CAP.	0.1uF	50V	X7R	GRM155R71H104KE14D	K22178872		1-	A	A7
C 4002	CHIP CAP.	0.001uF	50V	B	GRM155B11H102KA01D	K22178809		1-	A	A7
C 4006	CHIP CAP.	0.01uF	50V	X7R	GRM155R71H103KA88D	K22178848		1-	A	A5
C 4015	CHIP CAP.	0.01uF	50V	X7R	GRM155R71H103KA88D	K22178848		1-	A	A5
C 4016	CHIP CAP.	0.01uF	50V	X7R	GRM155R71H103KA88D	K22178848		1-	A	A6
C 4017	CHIP CAP.	0.001uF	50V	B	GRM155B11H102KA01D	K22178809		1-	A	A5
C 4018	CHIP CAP.	0.1uF	50V	X7R	GRM155R71H104KE14D	K22178872		1-	A	A5
C 4021	CHIP CAP.	0.01uF	50V	X7R	GRM155R71H103KA88D	K22178848		1-	A	A5
C 4022	CHIP CAP.	0.01uF	50V	X7R	GRM155R71H103KA88D	K22178848		1-	A	A6
C 4023	CHIP CAP.	0.001uF	50V	B	GRM155B11H102KA01D	K22178809		1-	A	A6
C 4024	CHIP CAP.	0.01uF	50V	X7R	GRM155R71H103KA88D	K22178848		1-	A	A5
C 4025	CHIP CAP.	0.001uF	50V	B	GRM155B11H102KA01D	K22178809		1-	A	A7
C 4026	CHIP CAP.	0.1uF	50V	X7R	GRM155R71H104KE14D	K22178872		1-	A	A7
C 4027	CHIP CAP.	0.001uF	50V	B	GRM155B11H102KA01D	K22178809		1-	A	A6
C 4028	CHIP CAP.	0.1uF	50V	X7R	GRM155R71H104KE14D	K22178872		1-	A	D6
C 4029	CHIP CAP.	0.1uF	50V	X7R	GRM155R71H104KE14D	K22178872		1-	A	D7
C 4030	CHIP CAP.	0.001uF	50V	B	GRM155B11H102KA01D	K22178809		1-	A	D7
C 4031	CHIP CAP.	0.1uF	50V	X7R	GRM155R71H104KE14D	K22178872		1-	A	B7
C 4032	CHIP CAP.	0.001uF	50V	B	GRM155B11H102KA01D	K22178809		1-	A	B7
C 4033	AL.ELECTRO.CAP.	220uF	16V		HV221M016E077ETR	K48120041		1-	A	A6
C 4034	CHIP CAP.	0.001uF	50V	B	GRM155B11H102KA01D	K22178809		1-	A	A6
C 4035	CHIP CAP.	0.1uF	50V	X7R	GRM155R71H104KE14D	K22178872		1-	A	A7
C 4036	CHIP CAP.	0.1uF	50V	X7R	GRM155R71H104KE14D	K22178872		1-	A	A6
C 4037	CHIP CAP.	0.001uF	50V	B	GRM155B11H102KA01D	K22178809		1-	A	A7
C 4038	CHIP CAP.	0.1uF	50V	X7R	GRM155R71H104KE14D	K22178872		1-	A	D6
C 4039	CHIP TA.CAP.	1uF	25V		TMCMA1E105MTRF	K78140013		1-	A	A4
C 4040	CHIP CAP.	0.01uF	50V	X7R	GRM155R71H103KA88D	K22178848		1-	A	A6
C 4042	CHIP CAP.	0.001uF	50V	B	GRM155B11H102KA01D	K22178809		1-	A	A7
C 4043	AL.ELECTRO.CAP.	220uF	16V		HV221M016E077ETR	K48120041		1-	A	A6
C 4044	CHIP CAP.	0.1uF	50V	X7R	GRM155R71H104KE14D	K22178872		1-	A	D6
C 4045	CHIP CAP.	0.01uF	50V	X7R	GRM155R71H103KA88D	K22178848		1-	A	A4
C 4046	CHIP CAP.	0.1uF	50V	X7R	GRM155R71H104KE14D	K22178872		1-	A	C6
C 4047	CHIP CAP.	0.1uF	50V	X7R	GRM155R71H104KE14D	K22178872		1-	A	C6
C 4048	CHIP CAP.	0.1uF	50V	X7R	GRM155R71H104KE14D	K22178872		1-	A	C7
C 4049	CHIP CAP.	0.1uF	50V	X7R	GRM155R71H104KE14D	K22178872		1-	A	C7
C 4050	CHIP TA.CAP.	1uF	25V		TMCMA1E105MTRF	K78140013		1-	A	A4
C 4051	CHIP CAP.	0.001uF	50V	B	GRM155B11H102KA01D	K22178809		1-	A	A4
C 4052	CHIP CAP.	0.001uF	50V	B	GRM155B11H102KA01D	K22178809		1-	A	B7
C 4053	CHIP CAP.	0.1uF	10V	B	GRM155B11A104KA01D	K22108802		1-	A	B7
C 4054	CHIP CAP.	0.01uF	50V	X7R	GRM155R71H103KA88D	K22178848		1-	A	A5
C 4055	CHIP CAP.	0.1uF	50V	X7R	GRM155R71H104KE14D	K22178872		1-	A	A4
C 4056	CHIP CAP.	0.001uF	50V	B	GRM155B11H102KA01D	K22178809		1-	A	D7
C 4057	CHIP CAP.	0.1uF	50V	X7R	GRM155R71H104KE14D	K22178872		1-	A	D7
C 4058	CHIP CAP.	0.1uF	50V	X7R	GRM155R71H104KE14D	K22178872		1-	A	D6
C 4060	CHIP CAP.	0.01uF	50V	X7R	GRM155R71H103KA88D	K22178848		1-	A	B6
C 4062	CHIP CAP.	0.01uF	50V	X7R	GRM155R71H103KA88D	K22178848		1-	A	C6
C 4063	CHIP CAP.	0.01uF	50V	X7R	GRM155R71H103KA88D	K22178848		1-	A	C6
C 4064	CHIP CAP.	0.1uF	50V	X7R	GRM155R71H104KE14D	K22178872		1-	A	C7
C 4065	CHIP CAP.	0.1uF	50V	X7R	GRM155R71H104KE14D	K22178872		1-	A	C7
C 4066	CHIP CAP.	0.01uF	50V	X7R	GRM155R71H103KA88D	K22178848		1-	A	A4
C 4067	CHIP CAP.	180pF	50V	CH	GRM1552C1H181JA01D	K22179711		1-	A	C6
C 4068	CHIP CAP.	0.1uF	50V	X7R	GRM155R71H104KE14D	K22178872		1-	A	C6
C 4069	CHIP CAP.	56pF	50V	CH	GRM1552C1H560JA01D	K22178230		1-	A	C6
C 4070	CHIP CAP.	0.1uF	50V	X7R	GRM155R71H104KE14D	K22178872		1-	A	C6
C 4071	CHIP CAP.	82pF	50V	CH	GRM1552C1H820JA01D	K22178234		1-	A	C7
C 4072	CHIP CAP.	0.01uF	50V	X7R	GRM155R71H103KA88D	K22178848		1-	A	C7
C 4073	CHIP CAP.	22pF	50V	CH	GRM1552C1H220JA01D	K22178220		1-	A	C7
C 4074	CHIP CAP.	0.01uF	50V	X7R	GRM155R71H103KA88D	K22178848		1-	A	C7
C 4075	CHIP CAP.	0.001uF	50V	B	GRM155B11H102KA01D	K22178809		1-	A	A4
C 4076	CHIP CAP.	0.1uF	50V	X7R	GRM155R71H104KE14D	K22178872		1-	A	D7
C 4077	CHIP CAP.	10uF	10V	B	GRM188B31A106ME69D	K22104810		1-	A	B4
C 4079	CHIP CAP.	1uF	25V	X5R	GRM155R61E105KE11D	K22149010		1-	A	C6
C 4081	CHIP CAP.	1uF	25V	X5R	GRM155R61E105KE11D	K22149010		1-	A	C6
C 4083	CHIP CAP.	0.001uF	50V	B	GRM155B11H102KA01D	K22178809		1-	A	C7
C 4085	CHIP CAP.	0.001uF	50V	B	GRM155B11H102KA01D	K22178809		1-	A	C7
C 4086	CHIP CAP.	0.01uF	50V	X7R	GRM155R71H103KA88D	K22178848		1-	A	A5
C 4087	CHIP CAP.	0.1uF	10V	B	GRM155B11A104KA01D	K22108802		1-	A	B7
C 4088	CHIP CAP.	0.001uF	50V	B	GRM155B11H102KA01D	K22178809		1-	A	D6
C 4090	CHIP CAP.	0.1uF	10V	B	GRM155B11A104KA01D	K22108802		1-	A	B7
C 4091	CHIP CAP.	0.1uF	50V	X7R	GRM155R71H104KE14D	K22178872		1-	A	D6
C 4092	CHIP CAP.	0.001uF	50V	B	GRM155B11H102KA01D	K22178809		1-	A	C6
C 4094	CHIP CAP.	0.001uF	50V	B	GRM155B11H102KA01D	K22178809		1-	A	D6
C 4095	AL.ELECTRO.CAP.	10uF	50V		RE2-50V100ME3#-T2	K46170021		1-	A	B4
C 4096	CHIP CAP.	22uF	6.3V	B	GRM188R60J226MEA0D	K22084807		1-	A	B7
C 4097	CHIP CAP.	22uF	10V	X5R	GRM188R61A226ME15D	K22101808		1-	A	B6

FINAL Unit Parts List

REF	DESCRIPTION	VALUE	V/W	TOL.	MFR'S DESIG	YAESU P/N	VERS.	LOT	SIDE	LAY ADR
C 4098	CHIP CAP.	0.1uF	10V	B	GRM155B11A104KA01D	K22108802		1-	A	B7
C 4099	CHIP CAP.	0.1uF	50V	X7R	GRM155R71H104KE14D	K22178872		1-	A	D6
C 4100	CHIP CAP.	0.0012uF	50V	C0G	GRM1555C1H122JA01D	K22179758		1-	A	C6
C 4101	CHIP CAP.	0.0015uF	50V	C0G	GRM1555C1H152JA01D	K22179760		1-	A	C6
C 4103	CHIP CAP.	560pF	50V	C0G	GRM1555C1H561JA01D	K22179750		1-	A	C6
C 4105	CHIP CAP.	56pF	50V	CH	GRM1552C1H560JA01D	K22178230		1-	A	C7
C 4107	CHIP CAP.	56pF	50V	CH	GRM1552C1H560JA01D	K22178230		1-	A	C7
C 4108	CHIP CAP.	0.01uF	50V	X7R	GRM155R71H103KA88D	K22178848		1-	A	B6
C 4109	CHIP CAP.	0.01uF	50V	X7R	GRM155R71H103KA88D	K22178848		1-	A	C4
C 4110	CHIP CAP.	0.01uF	50V	X7R	GRM155R71H103KA88D	K22178848		1-	A	D6
C 4111	CHIP CAP.	0.1uF	50V	X7R	GRM155R71H104KE14D	K22178872		1-	A	A4
C 4112	CHIP CAP.	0.1uF	50V	X7R	GRM155R71H104KE14D	K22178872		1-	A	B7
C 4113	CHIP CAP.	470pF	50V	B	GRM155B11H471KA01D	K22178805		1-	A	A2
C 4114	CHIP CAP.	0.1uF	50V	X7R	GRM155R71H104KE14D	K22178872		1-	A	B7
C 4115	CHIP CAP.	0.01uF	50V	X7R	GRM155R71H103KA88D	K22178848		1-	A	D6
C 4116	CHIP CAP.	0.1uF	50V	X7R	GRM155R71H104KE14D	K22178872		1-	A	C6
C 4117	CHIP CAP.	0.01uF	50V	X7R	GRM155R71H103KA88D	K22178848		1-	A	D6
C 4118	CHIP CAP.	0.1uF	50V	X7R	GRM155R71H104KE14D	K22178872		1-	A	D6
C 4119	CHIP CAP.	0.01uF	50V	X7R	GRM155R71H103KA88D	K22178848		1-	A	A4
C 4120	CHIP CAP.	0.001uF	50V	B	GRM155B11H102KA01D	K22178809		1-	A	B7
C 4121	CHIP CAP.	0.01uF	50V	X7R	GRM155R71H103KA88D	K22178848		1-	A	B3
C 4122	CHIP CAP.	0.001uF	50V	B	GRM155B11H102KA01D	K22178809		1-	A	A2
C 4123	CHIP CAP.	0.01uF	50V	X7R	GRM155R71H103KA88D	K22178848		1-	A	A2
C 4124	CHIP CAP.	0.1uF	50V	X7R	GRM155R71H104KE14D	K22178872		1-	A	A2
C 4125	CHIP CAP.	0.001uF	50V	B	GRM155B11H102KA01D	K22178809		1-	A	B7
C 4126	CHIP CAP.	0.001uF	50V	B	GRM155B11H102KA01D	K22178809		1-	A	D6
C 4127	CHIP CAP.	0.001uF	50V	B	GRM155B11H102KA01D	K22178809		1-	A	A4
C 4128	CHIP CAP.	0.1uF	50V	X7R	GRM155R71H104KE14D	K22178872		1-	A	D6
C 4129	CHIP CAP.	0.001uF	50V	B	GRM155B11H102KA01D	K22178809		1-	A	A4
C 4130	CHIP CAP.	560pF	50V	C0G	GRM1555C1H561JA01D	K22179750		1-	A	C6
C 4131	CHIP CAP.	180pF	50V	CH	GRM1552C1H181JA01D	K22179711		1-	A	C6
C 4132	CHIP CAP.	270pF	50V	CH	GRM1552C1H271JA01D	K22179715		1-	A	C7
C 4133	CHIP CAP.	68pF	50V	CH	GRM1552C1H680JA01D	K22178232		1-	A	C7
C 4134	CHIP CAP.	0.01uF	50V	X7R	GRM155R71H103KA88D	K22178848		1-	A	A4
C 4135	CHIP CAP.	0.001uF	50V	B	GRM155B11H102KA01D	K22178809		1-	A	D6
C 4136	CHIP CAP.	0.1uF	50V	X7R	GRM155R71H104KE14D	K22178872		1-	A	D6
C 4137	CHIP CAP.	0.1uF	50V	X7R	GRM155R71H104KE14D	K22178872		1-	A	B7
C 4142	CHIP CAP.	0.1uF	50V	X7R	GRM155R71H104KE14D	K22178872		1-	A	B3
C 4143	CHIP CAP.	0.1uF	50V	X7R	GRM155R71H104KE14D	K22178872		1-	A	A4
C 4144	CHIP CAP.	0.0012uF	50V	C0G	GRM1555C1H122JA01D	K22179758		1-	A	C6
C 4145	CHIP CAP.	0.0015uF	50V	C0G	GRM1555C1H152JA01D	K22179760		1-	A	C6
C 4147	CHIP CAP.	560pF	50V	C0G	GRM1555C1H561JA01D	K22179750		1-	A	C6
C 4149	CHIP CAP.	56pF	50V	CH	GRM1552C1H560JA01D	K22178230		1-	A	C7
C 4151	CHIP CAP.	56pF	50V	CH	GRM1552C1H560JA01D	K22178230		1-	A	C7
C 4152	CHIP CAP.	0.001uF	50V	B	GRM155B11H102KA01D	K22178809		1-	A	B3
C 4153	CHIP CAP.	22uF	25V	X5R	GRM21BR61E226ME44L	K22140830		1-	A	A5
C 4154	AL.ELECTRO.CAP.	10uF	50V		RE2-50V100ME3#-T2	K46170021		1-	A	A3
C 4157	CHIP CAP.	0.001uF	50V	B	GRM155B11H102KA01D	K22178809		1-	A	A3
C 4158	CHIP CAP.	0.01uF	50V	X7R	GRM155R71H103KA88D	K22178848		1-	A	A3
C 4159	CHIP CAP.	7pF	50V	CH	GRM1552C1H7R0DA01D	K22178209		1-	A	B7
C 4160	CHIP CAP.	0.1uF	50V	X7R	GRM155R71H104KE14D	K22178872		1-	A	E7
C 4161	CHIP CAP.	0.001uF	50V	B	GRM155B11H102KA01D	K22178809		1-	A	E7
C 4162	CHIP CAP.	0.1uF	50V	X7R	GRM155R71H104KE14D	K22178872		1-	A	A3
C 4164	CHIP CAP.	1uF	25V	X5R	GRM155R61E105KE11D	K22149010		1-	A	C6
C 4166	CHIP CAP.	1uF	25V	X5R	GRM155R61E105KE11D	K22149010		1-	A	C6
C 4168	CHIP CAP.	0.001uF	50V	B	GRM155B11H102KA01D	K22178809		1-	A	C7
C 4170	CHIP CAP.	0.001uF	50V	B	GRM155B11H102KA01D	K22178809		1-	A	C7
C 4173	CHIP CAP.	220pF	50V	CH	GRM1552C1H221JA01D	K22179713		1-	A	B7
C 4174	CHIP CAP.	39pF	50V	CH	GRM1552C1H390JA01D	K22178226		1-	A	B7
C 4175	CHIP CAP.	180pF	50V	CH	GRM1552C1H181JA01D	K22179711		1-	A	C6
C 4176	CHIP CAP.	0.1uF	50V	X7R	GRM155R71H104KE14D	K22178872		1-	A	C6
C 4177	CHIP CAP.	56pF	50V	CH	GRM1552C1H560JA01D	K22178230		1-	A	C6
C 4178	CHIP CAP.	0.1uF	50V	X7R	GRM155R71H104KE14D	K22178872		1-	A	C6
C 4179	CHIP CAP.	82pF	50V	CH	GRM1552C1H820JA01D	K22178234		1-	A	C7
C 4180	CHIP CAP.	0.01uF	50V	X7R	GRM155R71H103KA88D	K22178848		1-	A	C7
C 4181	CHIP CAP.	22pF	50V	CH	GRM1552C1H220JA01D	K22178220		1-	A	C7
C 4182	CHIP CAP.	0.01uF	50V	X7R	GRM155R71H103KA88D	K22178848		1-	A	C7
C 4183	CHIP CAP.	0.01uF	50V	X7R	GRM155R71H103KA88D	K22178848		1-	A	C6
C 4184	CHIP CAP.	0.01uF	50V	X7R	GRM155R71H103KA88D	K22178848		1-	A	C6
C 4185	CHIP CAP.	0.1uF	50V	X7R	GRM155R71H104KE14D	K22178872		1-	A	C7
C 4186	CHIP CAP.	0.1uF	50V	X7R	GRM155R71H104KE14D	K22178872		1-	A	C7
C 4187	CHIP CAP.	7pF	50V	CH	GRM1552C1H7R0DA01D	K22178209		1-	A	B7
C 4188	CHIP CAP.	0.001uF	50V	B	GRM155B11H102KA01D	K22178809		1-	A	E7
C 4189	AL.ELECTRO.CAP.	10uF	50V		RE2-50V100ME3#-T2	K46170021		1-	A	E7
C 4190	CHIP CAP.	0.01uF	50V	X7R	GRM155R71H103KA88D	K22178848		1-	A	E7

FINAL Unit Parts List

REF	DESCRIPTION	VALUE	V/W	TOL.	MFR'S DESIG	YAESU P/N	VERS.	LOT	SIDE	LAY ADR
C 4191	CHIP CAP.	0.01uF	50V	X7R	GRM155R71H103KA88D	K22178848		1-	A	C6
C 4193	CHIP CAP.	0.1uF	50V	X7R	GRM155R71H104KE14D	K22178872		1-	A	E7
C 4194	CHIP CAP.	0.1uF	50V	X7R	GRM155R71H104KE14D	K22178872		1-	A	E6
C 4195	CHIP CAP.	22uF	16V	B	GRM31CB31C226ME15L	K22121804		1-	A	E7
C 4196	CHIP CAP.	0.01uF	50V	X7R	GRM155R71H103KA88D	K22178848		1-	A	B5
C 4197	CHIP CAP.	0.01uF	50V	X7R	GRM155R71H103KA88D	K22178848		1-	A	C6
C 4198	CHIP CAP.	0.01uF	50V	X7R	GRM155R71H103KA88D	K22178848		1-	A	C6
C 4199	CHIP CAP.	0.01uF	50V	X7R	GRM155R71H103KA88D	K22178848		1-	A	C7
C 4200	CHIP CAP.	0.01uF	50V	X7R	GRM155R71H103KA88D	K22178848		1-	A	C7
C 4201	CHIP CAP.	0.1uF	50V	X7R	GRM155R71H104KE14D	K22178872		1-	A	B6
C 4202	CHIP CAP.	0.01uF	50V	X7R	GRM155R71H103KA88D	K22178848		1-	A	E6
C 4203	CHIP CAP.	0.1uF	50V	X7R	GRM155R71H104KE14D	K22178872		1-	A	E7
C 4204	CHIP CAP.	0.001uF	50V	B	GRM155B11H102KA01D	K22178809		1-	A	C6
C 4205	CHIP CAP.	10uF	25V	B	GRM31CB31E106KA75L	K22141815		1-	A	C6
C 4206	CHIP CAP.	10uF	25V	B	GRM31CB31E106KA75L	K22141815		1-	A	C6
C 4207	CHIP CAP.	10uF	25V	B	GRM31CB31E106KA75L	K22141815		1-	A	C7
C 4208	CHIP CAP.	10uF	25V	B	GRM31CB31E106KA75L	K22141815		1-	A	C7
C 4209	CHIP CAP.	0.001uF	50V	B	GRM155B11H102KA01D	K22178809		1-	A	E6
C 4210	CHIP CAP.	0.1uF	50V	X7R	GRM155R71H104KE14D	K22178872		1-	A	E7
C 4211	CHIP CAP.	0.01uF	50V	X7R	GRM155R71H103KA88D	K22178848		1-	A	E7
C 4212	CHIP CAP.	180pF	50V	CH	GRM1552C1H181JA01D	K22179711		1-	A	E6
C 4213	CHIP CAP.	0.001uF	50V	B	GRM155B11H102KA01D	K22178809		1-	A	E7
C 4214	CHIP CAP.	0.001uF	50V	B	GRM155B11H102KA01D	K22178809		1-	A	E7
C 4215	CHIP CAP.	0.1uF	50V	X7R	GRM155R71H104KE14D	K22178872		1-	A	B6
C 4216	CHIP CAP.	0.001uF	50V	B	GRM155B11H102KA01D	K22178809		1-	A	D6
C 4218	CHIP CAP.	0.01uF	50V	X7R	GRM155R71H103KA88D	K22178848		1-	A	D6
C 4219	CHIP CAP.	0.1uF	50V	X7R	GRM155R71H104KE14D	K22178872		1-	A	E6
C 4220	CHIP CAP.	0.1uF	50V	X7R	GRM155R71H104KE14D	K22178872		1-	A	D6
C 4223	CHIP CAP.	0.0047uF	50V	B	GRM155B11H472KA01D	K22178838		1-	A	E6
C 4226	CHIP CAP.	0.0047uF	50V	B	GRM155B11H472KA01D	K22178838		1-	A	E6
C 4227	CHIP CAP.	0.01uF	50V	X7R	GRM155R71H103KA88D	K22178848		1-	A	B6
C 4228	CHIP TA.CAP.	0.1uF	20V		TMCP1D104MTRF	K78130049		1-	A	B6
C 4229	CHIP CAP.	0.001uF	50V	B	GRM155B11H102KA01D	K22178809		1-	A	D6
C 4232	CHIP CAP.	1uF	25V	X5R	GRM155R61E105KE11D	K22149010		1-	A	B5
C 4233	CHIP CAP.	0.01uF	50V	X7R	GRM155R71H103KA88D	K22178848		1-	A	D6
C 4234	CHIP CAP.	0.1uF	50V	X7R	GRM155R71H104KE14D	K22178872		1-	A	E6
C 4235	CHIP CAP.	0.1uF	50V	X7R	GRM155R71H104KE14D	K22178872		1-	A	D6
C 4236	CHIP CAP.	0.001uF	50V	B	GRM155B11H102KA01D	K22178809		1-	A	B5
C 4241	CHIP CAP.	0.1uF	50V	X7R	GRM155R71H104KE14D	K22178872		1-	A	D6
C 4242	CHIP CAP.	0.01uF	50V	X7R	GRM155R71H103KA88D	K22178848		1-	A	B5
C 4243	CHIP CAP.	0.01uF	50V	X7R	GRM155R71H103KA88D	K22178848		1-	A	B5
C 4248	CHIP CAP.	1uF	25V	B	GRM188B31E105KA75D	K22144815		1-	A	C5
C 4249	CHIP CAP.	0.001uF	50V	B	GRM155B11H102KA01D	K22178809		1-	A	F6
C 4250	CHIP TA.CAP.	4.7uF	16V		TMCMA1C475MTRF	K78120031		1-	A	B5
C 4251	CHIP CAP.	0.01uF	50V	X7R	GRM155R71H103KA88D	K22178848		1-	A	F6
C 4252	CHIP CAP.	0.1uF	50V	X7R	GRM155R71H104KE14D	K22178872		1-	A	F6
C 4253	CHIP CAP.	0.1uF	50V	X7R	GRM155R71H104KE14D	K22178872		1-	A	D6
C 4254	CHIP CAP.	0.01uF	50V	X7R	GRM155R71H103KA88D	K22178848		1-	A	A1
C 4255	CHIP TA.CAP.	10uF	16V		TMCMA1C106MTRF	K78120077		1-	A	B5
C 4257	AL.ELECTRO.CAP.	1000uF	25V		SK025M102G20SR	K40149088		1-	A	A2
C 4260	AL.ELECTRO.CAP.	47uF	25V		RE2-25V470ME3#-T2	K46140004		1-	A	A2
C 4261	CHIP CAP.	0.01uF	250V	X7R	GRM21BR72E103KW03L	K22240801		1-	A	D4
C 4262	CHIP CAP.	0.001uF	50V	B	GRM155B11H102KA01D	K22178809		1-	A	B5
C 4264	CHIP CAP.	0.0022uF	250V	U2J	GRM21A7U2E222JW31D	K22240329		1-	A	D6
C 4265	CHIP CAP.	0.0022uF	250V	U2J	GRM21A7U2E222JW31D	K22240329		1-	A	E6
C 4267	AL.ELECTRO.CAP.	100uF	25V		RE2-25V101MH3#	K40149028		1-	A	C4
C 4268	CHIP CAP.	1uF	25V	X5R	GRM155R61E105KE11D	K22149010		1-	A	B5
C 4269	CHIP TA.CAP.	0.22uF	35V		TMCSA1V224MTRF	K78160027		1-	A	B5
C 4270	CHIP CAP.	0.0022uF	250V	U2J	GRM21A7U2E222JW31D	K22240329		1-	A	D5
C 4271	CHIP CAP.	0.0022uF	250V	U2J	GRM21A7U2E222JW31D	K22240329		1-	A	E5
C 4273	AL.ELECTRO.CAP.	1000uF	25V		SK025M102G20SR	K40149088		1-	A	C4
C 4274	CHIP CAP.	0.01uF	50V	X7R	GRM155R71H103KA88D	K22178848		1-	A	C4
C 4275	CHIP CAP.	0.1uF	25V	B	GRM155B31E104KA87D	K22148838		1-	A	B4
C 4276	CHIP CAP.	0.1uF	250V	X7R	GRM31CR72E104KW03L	K22241804		1-	A	D4
C 4277	AL.ELECTRO.CAP.	47uF	25V		RE2-25V470ME3#-T2	K46140004		1-	A	A4
C 4278	CHIP CAP.	0.001uF	50V	B	GRM155B11H102KA01D	K22178809		1-	A	B5
C 4280	FILM CAP.	470pF	500V		UC342H4700J-T	K33279015		1-	A	E5
C 4281	CHIP CAP.	0.1uF	50V	X7R	GRM155R71H104KE14D	K22178872		1-	A	C5
C 4282	CHIP CAP.	47pF	50V	CH	GRM1552C1H470JA01D	K22178228		1-	A	C5
C 4283	CHIP CAP.	0.01uF	250V	X7R	GRM21BR72E103KW03L	K22240801		1-	A	D4
C 4284	FILM CAP.	470pF	500V		UC342H4700J-T	K33279015		1-	A	E5
C 4285	AL.ELECTRO.CAP.	10uF	50V		KM100M050C110A	K40179085		1-	A	F7
C 4286	CHIP CAP.	47pF	50V	CH	GRM1552C1H470JA01D	K22178228		1-	A	F6
C 4287	CHIP CAP.	0.001uF	250V	U2J	GRM21A7U2E102JW31D	K22240325		1-	A	D4
C 4288	CHIP CAP.	0.1uF	50V	X7R	GRM155R71H104KE14D	K22178872		1-	A	B4

FINAL Unit Parts List

REF	DESCRIPTION	VALUE	V/W	TOL.	MFR'S DESIG	YAESU P/N	VERS.	LOT	SIDE	LAY ADR
C 4289	CHIP TA.CAP.	0.47uF	16V		F921C474MPA	K78120123		1-	A	B6
C 4292	CHIP CAP.	0.1uF	50V	X7R	GRM155R71H104KE14D	K22178872		1-	A	F6
C 4295	CHIP CAP.	0.001uF	50V	B	GRM155B11H102KA01D	K22178809		1-	A	B4
C 4300	CHIP CAP.	0.01uF	50V	X7R	GRM155R71H103KA88D	K22178848		1-	A	C4
C 4301	CHIP CAP.	0.001uF	50V	B	GRM155B11H102KA01D	K22178809		1-	A	C4
C 4303	CHIP CAP.	0.1uF	50V	X7R	GRM155R71H104KE14D	K22178872		1-	A	C4
C 4305	CHIP CAP.	47pF	50V	CH	GRM1552C1H470JA01D	K22178228		1-	A	E6
C 4307	CHIP CAP.	47pF	50V	CH	GRM1552C1H470JA01D	K22178228		1-	A	E6
C 4308	CHIP CAP.	0.01uF	50V	X7R	GRM155R71H103KA88D	K22178848		1-	A	B6
C 4309	CHIP CAP.	10pF	50V	CH	GRM1552C1H100JA01D	K22178212		1-	A	B6
C 4310	CHIP CAP.	47pF	50V	CH	GRM1552C1H470JA01D	K22178228		1-	A	B6
C 4311	CHIP CAP.	0.018uF	25V	B	GRM155B11E183KA61D	K22148835		1-	A	E3
C 4312	CHIP CAP.	0.018uF	25V	B	GRM155B11E183KA61D	K22148835		1-	A	E3
C 4313	CHIP CAP.	0.018uF	25V	B	GRM155B11E183KA61D	K22148835		1-	A	C3
C 4314	CHIP CAP.	0.018uF	25V	B	GRM155B11E183KA61D	K22148835		1-	A	D3
C 4315	CHIP CAP.	0.018uF	25V	B	GRM155B11E183KA61D	K22148835		1-	A	C3
C 4316	CHIP CAP.	0.018uF	25V	B	GRM155B11E183KA61D	K22148835		1-	A	B3
C 4317	CHIP CAP.	0.018uF	25V	B	GRM155B11E183KA61D	K22148835		1-	A	C3
C 4324	CHIP CAP.	68pF	630V	C0G	GRM31A5C2J680JW01D	K22281230		1-	A	C3
C 4325	CHIP CAP.	10pF	630V	C0G	GRM31A5C2J100JW01D	K22281220		1-	A	B3
C 4326	CHIP CAP.	33pF	630V	C0G	GRM31A5C2J330JW01D	K22281226		1-	A	D3
C 4327	CHIP CAP.	180pF	630V	C0G	GRM31A5C2J181JW01D	K22281235		1-	A	E3
C 4328	CHIP CAP.	22pF	630V	C0G	GRM31A5C2J220JW01D	K22281224		1-	A	F3
C 4329	CHIP CAP.	270pF	630V	C0G	GRM31A5C2J271JW01D	K22281237		1-	A	D3
C 4331	CHIP CAP.	68pF	630V	C0G	GRM31A5C2J680JW01D	K22281230		1-	A	B3
C 4332	CHIP CAP.	12pF	630V	C0G	GRM31A5C2J120JW01D	K22281221		1-	A	D3
C 4333	CHIP CAP.	22pF	630V	C0G	GRM31A5C2J220JW01D	K22281224	W/ CE	1-	A	F3
C 4333	CHIP CAP.	27pF	630V	C0G	GRM31A5C2J270JW01D	K22281225	W/O CE	1-	A	F3
C 4334	CHIP CAP.	1000pF	630V	C0G	GRM31B5C2J102JW01L	K22281244		1-	A	E3
C 4335	CHIP CAP.	680pF	630V	C0G	GRM31B5C2J681JW01L	K22281242		1-	A	C3
C 4336	CHIP TA.CAP.	47uF	16V		TMCMC1C476MTRF	K78120057		1-	A	B6
C 4338	CHIP CAP.	47pF	630V	C0G	GRM31A5C2J470JW01D	K22281228		1-	A	D3
C 4339	CHIP CAP.	12pF	630V	C0G	GRM31A5C2J120JW01D	K22281221		1-	A	C3
C 4340	CHIP CAP.	15pF	630V	C0G	GRM31A5C2J150JW01D	K22281222		1-	A	C3
C 4341	CHIP CAP.	12pF	630V	C0G	GRM31A5C2J120JW01D	K22281221		1-	A	B3
C 4344	CHIP CAP.	6pF	250V	C0G	GQM2195C2E6R0DB12D	K22240249		1-	A	D3
C 4345	CHIP CAP.	100pF	50V	CH	GRM1552C1H101JA01D	K22178236		1-	A	B6
C 4346	CHIP CAP.	12pF	630V	C0G	GRM31A5C2J120JW01D	K22281221		1-	A	E3
C 4349	CHIP CAP.	120pF	630V	C0G	GRM31A5C2J121JW01D	K22281233		1-	A	C3
C 4351	CHIP CAP.	0.01uF	50V	X7R	GRM155R71H103KA88D	K22178848		1-	A	B6
C 4352	CHIP CAP.	100pF	50V	CH	GRM1552C1H101JA01D	K22178236		1-	A	B6
C 4353	CHIP CAP.	100pF	630V	C0G	GRM31A5C2J101JW01D	K22281232		1-	A	E3
C 4354	CHIP CAP.	82pF	630V	C0G	GRM31A5C2J820JW01D	K22281231		1-	A	E3
C 4355	CHIP CAP.	390pF	630V	C0G	GRM31A5C2J391JW01D	K22281239		1-	A	D3
C 4356	CHIP CAP.	180pF	630V	C0G	GRM31A5C2J181JW01D	K22281235		1-	A	C3
C 4357	CHIP CAP.	100pF	630V	C0G	GRM31A5C2J101JW01D	K22281232		1-	A	B3
C 4358	CHIP CAP.	82pF	630V	C0G	GRM31A5C2J820JW01D	K22281231		1-	A	D3
C 4359	CHIP CAP.	100pF	500V	CH	GQM22M5C2H101JB01L	K22273276		1-	A	F3
C 4360	CHIP CAP.	270pF	630V	C0G	GRM31A5C2J271JW01D	K22281237		1-	A	C3
C 4361	CHIP CAP.	100pF	50V	CH	GRM1552C1H101JA01D	K22178236		1-	A	B6
C 4363	CHIP CAP.	1000pF	630V	C0G	GRM31B5C2J102JW01L	K22281244		1-	A	E3
C 4364	CHIP CAP.	56pF	630V	C0G	GRM31A5C2J560JW01D	K22281229		1-	A	D3
C 4366	CHIP CAP.	100pF	630V	C0G	GRM31A5C2J101JW01D	K22281232		1-	A	B3
C 4367	CHIP CAP.	47pF	630V	C0G	GRM31A5C2J470JW01D	K22281228		1-	A	D3
C 4368	CHIP CAP.	15pF	630V	C0G	GRM31A5C2J150JW01D	K22281222		1-	A	F2
C 4369	CHIP CAP.	5pF	250V	C0G	GQM2195C2E5R0CB12D	K22240248		1-	A	F2
C 4370	CHIP CAP.	22pF	630V	C0G	GRM31A5C2J220JW01D	K22281224		1-	A	D3
C 4371	CHIP CAP.	180pF	630V	C0G	GRM31A5C2J181JW01D	K22281235		1-	A	D3
C 4372	CHIP CAP.	82pF	630V	C0G	GRM31A5C2J820JW01D	K22281231		1-	A	C3
C 4373	CHIP CAP.	100pF	630V	C0G	GRM31A5C2J101JW01D	K22281232		1-	A	C3
C 4375	CHIP CAP.	47pF	630V	C0G	GRM31A5C2J470JW01D	K22281228		1-	A	B3
C 4376	CHIP CAP.	15pF	630V	C0G	GRM31A5C2J150JW01D	K22281222		1-	A	D3
C 4377	CHIP CAP.	27pF	630V	C0G	GRM31A5C2J270JW01D	K22281225		1-	A	D3
C 4379	CHIP CAP.	100pF	50V	CH	GRM1552C1H101JA01D	K22178236		1-	A	B6
C 4380	CHIP CAP.	330pF	630V	C0G	GRM31A5C2J331JW01D	K22281238		1-	A	E2
C 4381	CHIP CAP.	82pF	630V	C0G	GRM31A5C2J820JW01D	K22281231	W/ CE	1-	A	F2
C 4381	CHIP CAP.	100pF	500V	CH	GQM22M5C2H101JB01L	K22273276	W/O CE	1-	A	F2
C 4382	CHIP CAP.	390pF	630V	C0G	GRM31A5C2J391JW01D	K22281239		1-	A	D2
C 4383	CHIP CAP.	220pF	630V	C0G	GRM31A5C2J221JW01D	K22281236		1-	A	C2
C 4384	CHIP CAP.	180pF	630V	C0G	GRM31A5C2J181JW01D	K22281235		1-	A	B2
C 4385	CHIP CAP.	82pF	630V	C0G	GRM31A5C2J820JW01D	K22281231		1-	A	D2
C 4386	CHIP CAP.	1000pF	630V	C0G	GRM31B5C2J102JW01L	K22281244		1-	A	E2
C 4387	CHIP CAP.	560pF	630V	C0G	GRM31A5C2J561JW01D	K22281241		1-	A	C2
C 4389	CHIP CAP.	270pF	630V	C0G	GRM31A5C2J271JW01D	K22281237		1-	A	E2
C 4390	CHIP CAP.	220pF	630V	C0G	GRM31A5C2J221JW01D	K22281236		1-	A	E2

FINAL Unit Parts List

REF	DESCRIPTION	VALUE	V/W	TOL.	MFR'S DESIG	YAESU P/N	VERS.	LOT	SIDE	LAY ADR
C 4391	CHIP CAP.	22pF	630V	C0G	GRM31A5C2J220JW01D	K22281224		1-	A	C2
C 4392	CHIP CAP.	390pF	630V	C0G	GRM31A5C2J391JW01D	K22281239		1-	A	C2
C 4394	CHIP CAP.	68pF	630V	C0G	GRM31A5C2J680JW01D	K22281230		1-	A	C2
C 4395	CHIP CAP.	15pF	630V	C0G	GRM31A5C2J150JW01D	K22281222		1-	A	B2
C 4396	CHIP CAP.	56pF	630V	C0G	GRM31A5C2J560JW01D	K22281229		1-	A	D2
C 4397	CHIP CAP.	12pF	630V	C0G	GRM31A5C2J120JW01D	K22281221		1-	A	E2
C 4400	CHIP CAP.	120pF	630V	C0G	GRM31A5C2J121JW01D	K22281233		1-	A	D2
C 4401	CHIP CAP.	27pF	630V	C0G	GRM31A5C2J270JW01D	K22281225		1-	A	C2
C 4402	CHIP CAP.	27pF	630V	C0G	GRM31A5C2J270JW01D	K22281225		1-	A	C2
C 4403	CHIP CAP.	39pF	630V	C0G	GRM31A5C2J390JW01D	K22281227		1-	A	B2
C 4405	CHIP CAP.	33pF	630V	C0G	GRM31A5C2J330JW01D	K22281226		1-	A	D2
C 4407	CHIP CAP.	6pF	250V	CH	GQM2195C2E6R0CB12D	K22240259		1-	A	F1
C 4408	CHIP CAP.	56pF	50V	CH	GRM1552C1H560JA01D	K22178230		1-	A	F2
C 4409	CHIP CAP.	1000pF	630V	C0G	GRM31B5C2J102JW01L	K22281244		1-	A	E2
C 4410	CHIP CAP.	470pF	630V	C0G	GRM31A5C2J471JW01D	K22281240		1-	A	C2
C 4411	CHIP CAP.	56pF	50V	CH	GRM1552C1H560JA01D	K22178230		1-	A	F2
C 4412	CHIP CAP.	27pF	630V	C0G	GRM31A5C2J270JW01D	K22281225		1-	A	F1
C 4413	CHIP CAP.	150pF	630V	C0G	GRM31A5C2J151JW01D	K22281234		1-	A	D2
C 4414	CHIP CAP.	100pF	630V	C0G	GRM31A5C2J101JW01D	K22281232		1-	A	C2
C 4415	CHIP CAP.	33pF	630V	C0G	GRM31A5C2J330JW01D	K22281226		1-	A	B2
C 4416	CHIP CAP.	33pF	630V	C0G	GRM31A5C2J330JW01D	K22281226		1-	A	D2
C 4417	CHIP CAP.	680pF	630V	C0G	GRM31B5C2J681JW01L	K22281242		1-	A	E2
C 4418	CHIP CAP.	4.7uF	25V	B	GRM21BB31E475KA75L	K22140832		1-	A	C5
C 4419	CHIP CAP.	0.018uF	25V	B	GRM155B11E183KA61D	K22148835		1-	A	E3
C 4424	CHIP CAP.	22pF	630V	C0G	GRM31A5C2J220JW01D	K22281224		1-	A	C2
C 4426	CHIP CAP.	22pF	630V	C0G	GRM31A5C2J220JW01D	K22281224		1-	A	D2
C 4427	CHIP CAP.	0.0022uF	50V	B	GRM155B11H222KA01D	K22178813		1-	A	F2
C 4429	CHIP CAP.	0.0022uF	50V	B	GRM155B11H222KA01D	K22178813		1-	A	F2
C 4430	CHIP CAP.	0.1uF	50V	X7R	GRM155R71H104KE14D	K22178872		1-	A	C5
C 4432	CHIP CAP.	68pF	50V	CH	GRM1552C1H680JA01D	K22178232		1-	A	F2
C 4433	CHIP CAP.	6pF	250V	CH	GQM2195C2E6R0CB12D	K22240259		1-	A	F1
C 4434	CHIP CAP.	56pF	50V	CH	GRM1552C1H560JA01D	K22178230		1-	A	F2
C 4435	CHIP CAP.	0.01uF	50V	X7R	GRM155R71H103KA88D	K22178848		1-	A	E1
C 4436	CHIP CAP.	0.018uF	25V	B	GRM155B11E183KA61D	K22148835		1-	A	E1
C 4437	CHIP CAP.	0.018uF	25V	B	GRM155B11E183KA61D	K22148835		1-	A	C2
C 4438	CHIP CAP.	0.018uF	25V	B	GRM155B11E183KA61D	K22148835		1-	A	D1
C 4439	CHIP CAP.	0.018uF	25V	B	GRM155B11E183KA61D	K22148835		1-	A	C2
C 4440	CHIP CAP.	0.018uF	25V	B	GRM155B11E183KA61D	K22148835		1-	A	B2
C 4441	CHIP CAP.	0.018uF	25V	B	GRM155B11E183KA61D	K22148835		1-	A	C1
C 4442	CHIP CAP.	0.001uF	50V	B	GRM155B11H102KA01D	K22178809		1-	A	B1
C 4443	CHIP CAP.	0.001uF	50V	B	GRM155B11H102KA01D	K22178809		1-	A	B1
C 4444	CHIP CAP.	4.7uF	25V	B	GRM21BB31E475KA75L	K22140832		1-	A	C5
C 4445	CHIP CAP.	0.001uF	50V	B	GRM155B11H102KA01D	K22178809		1-	A	B1
C 4446	CHIP CAP.	0.01uF	50V	X7R	GRM155R71H103KA88D	K22178848		1-	A	G1
C 4448	CHIP CAP.	0.01uF	50V	X7R	GRM155R71H103KA88D	K22178848		1-	A	H2
C 4449	CHIP CAP.	0.01uF	50V	X7R	GRM155R71H103KA88D	K22178848		1-	A	F5
C 4450	CHIP CAP.	0.01uF	50V	X7R	GRM155R71H103KA88D	K22178848		1-	A	H4
C 4451	CHIP CAP.	0.01uF	50V	X7R	GRM155R71H103KA88D	K22178848		1-	A	F4
C 4452	CHIP CAP.	0.1uF	50V	X7R	GRM155R71H104KE14D	K22178872		1-	A	H2
C 4453	CHIP CAP.	0.001uF	50V	B	GRM155B11H102KA01D	K22178809		1-	A	B1
C 4454	CERAMIC CAP.	150pF	3KV	SL	CC45SL3FD151JYNNA	K00359035		1-	A	G5
C 4455	CERAMIC CAP.	150pF	3KV	SL	CC45SL3FD151JYNNA	K00359035		1-	A	G5
C 4456	AL.ELECTRO.CAP.	47uF	25V		KM470M025C110A	K40149095		1-	A	H2
C 4457	CERAMIC CAP.	150pF	3KV	SL	CC45SL3FD151JYNNA	K00359035		1-	A	G4
C 4458	CERAMIC CAP.	150pF	3KV	SL	CC45SL3FD151JYNNA	K00359035		1-	A	G4
C 4459	CHIP CAP.	0.001uF	50V	B	GRM155B11H102KA01D	K22178809		1-	A	B1
C 4460	CHIP CAP.	0.01uF	50V	X7R	GRM155R71H103KA88D	K22178848		1-	A	F5
C 4461	CHIP CAP.	0.01uF	50V	X7R	GRM155R71H103KA88D	K22178848		1-	A	H4
C 4462	CHIP CAP.	0.01uF	50V	X7R	GRM155R71H103KA88D	K22178848		1-	A	F4
C 4463	CHIP CAP.	0.01uF	50V	X7R	GRM155R71H103KA88D	K22178848		1-	A	H1
C 4465	CERAMIC CAP.	82pF	3KV	SL	CC45SL3FD820JYNNA	K00359034		1-	A	G4
C 4466	CERAMIC CAP.	82pF	3KV	SL	CC45SL3FD820JYNNA	K00359034		1-	A	G4
C 4467	CERAMIC CAP.	82pF	3KV	SL	CC45SL3FD820JYNNA	K00359034		1-	A	G4
C 4468	CERAMIC CAP.	82pF	3KV	SL	CC45SL3FD820JYNNA	K00359034		1-	A	G4
C 4469	CHIP CAP.	0.01uF	50V	X7R	GRM155R71H103KA88D	K22178848		1-	A	F5
C 4470	CHIP CAP.	0.01uF	50V	X7R	GRM155R71H103KA88D	K22178848		1-	A	H4
C 4471	CHIP CAP.	0.01uF	50V	X7R	GRM155R71H103KA88D	K22178848		1-	A	F4
C 4472	CERAMIC CAP.	39pF	3KV	SL	CC45SL3FD390JYNNA	K00359033		1-	A	G4
C 4473	CERAMIC CAP.	39pF	3KV	SL	CC45SL3FD390JYNNA	K00359033		1-	A	G4
C 4474	CERAMIC CAP.	39pF	3KV	SL	CC45SL3FD390JYNNA	K00359033		1-	A	G4
C 4475	CERAMIC CAP.	39pF	3KV	SL	CC45SL3FD390JYNNA	K00359033		1-	A	G4
C 4476	CHIP CAP.	0.01uF	50V	X7R	GRM155R71H103KA88D	K22178848		1-	A	G1
C 4478	CHIP CAP.	0.01uF	50V	X7R	GRM155R71H103KA88D	K22178848		1-	A	F6
C 4479	CHIP CAP.	0.01uF	50V	X7R	GRM155R71H103KA88D	K22178848		1-	A	H4
C 4480	CHIP CAP.	0.01uF	50V	X7R	GRM155R71H103KA88D	K22178848		1-	A	F4

FINAL Unit Parts List

REF	DESCRIPTION	VALUE	V/W	TOL.	MFR'S DESIG	YAESU P/N	VERS.	LOT	SIDE	LAY ADR
C 4481	CERAMIC CAP.	18pF	3KV	SL	CC45SL3FD180JYNNA	K00359028		1-	A	G4
C 4482	CERAMIC CAP.	18pF	3KV	SL	CC45SL3FD180JYNNA	K00359028		1-	A	G4
C 4483	CERAMIC CAP.	22pF	3KV	SL	CC45SL3FD220JYNNA	K00359038		1-	A	G4
C 4484	CERAMIC CAP.	22pF	3KV	SL	CC45SL3FD220JYNNA	K00359038		1-	A	G4
C 4485	CHIP CAP.	0.001uF	50V	B	GRM155B11H102KA01D	K22178809		1-	A	B1
C 4486	CHIP CAP.	0.01uF	50V	X7R	GRM155R71H103KA88D	K22178848		1-	A	F6
C 4487	CHIP CAP.	0.01uF	50V	X7R	GRM155R71H103KA88D	K22178848		1-	A	H3
C 4488	CHIP CAP.	0.01uF	50V	X7R	GRM155R71H103KA88D	K22178848		1-	A	F3
C 4489	CERAMIC CAP.	10pF	3KV	SL	CC45SL3FD100JYNNA	K00359037		1-	A	G3
C 4490	CERAMIC CAP.	10pF	3KV	SL	CC45SL3FD100JYNNA	K00359037		1-	A	G3
C 4491	CHIP CAP.	2pF	50V	CK	GRM1554C1H2R0CA01D	K22178204		1-	A	G1
C 4492	CHIP CAP.	10pF	50V	CH	GRM1552C1H100BA01D	K22178297		1-	A	G1
C 4493	CERAMIC CAP.	10pF	3KV	SL	CC45SL3FD100JYNNA	K00359037		1-	A	G3
C 4494	CERAMIC CAP.	10pF	3KV	SL	CC45SL3FD100JYNNA	K00359037		1-	A	G3
C 4495	CHIP CAP.	0.01uF	50V	X7R	GRM155R71H103KA88D	K22178848		1-	A	F6
C 4496	CHIP CAP.	0.01uF	50V	X7R	GRM155R71H103KA88D	K22178848		1-	A	H3
C 4497	CHIP CAP.	0.01uF	50V	X7R	GRM155R71H103KA88D	K22178848		1-	A	F3
C 4498	CERAMIC CAP.	10pF	3KV	SL	CC45SL3FD100JYNNA	K00359037		1-	A	G3
C 4499	CERAMIC CAP.	10pF	3KV	SL	CC45SL3FD100JYNNA	K00359037		1-	A	G3
C 4500	CERAMIC CAP.	10pF	3KV	SL	CC45SL3FD100JYNNA	K00359037		1-	A	G3
C 4501	CERAMIC CAP.	10pF	3KV	SL	CC45SL3FD100JYNNA	K00359037		1-	A	G3
C 4502	CHIP CAP.	0.047uF	10V	B	GRM155B11A473KA01D	K22108801		1-	A	G1
C 4503	CERAMIC CAP.	10pF	3KV	SL	CC45SL3FD100JYNNA	K00359037		1-	A	G3
C 4504	CERAMIC CAP.	10pF	3KV	SL	CC45SL3FD100JYNNA	K00359037		1-	A	G3
C 4505	CERAMIC CAP.	10pF	3KV	SL	CC45SL3FD100JYNNA	K00359037		1-	A	G3
C 4506	CERAMIC CAP.	10pF	3KV	SL	CC45SL3FD100JYNNA	K00359037		1-	A	G3
C 4507	CHIP CAP.	0.01uF	50V	X7R	GRM155R71H103KA88D	K22178848		1-	A	H1
C 4508	CHIP CAP.	0.01uF	50V	X7R	GRM155R71H103KA88D	K22178848		1-	A	F7
C 4509	CHIP CAP.	0.01uF	50V	X7R	GRM155R71H103KA88D	K22178848		1-	A	H3
C 4510	CHIP CAP.	0.01uF	50V	X7R	GRM155R71H103KA88D	K22178848		1-	A	F3
C 4511	CERAMIC CAP.	10pF	3KV	SL	CC45SL3FD100JYNNA	K00359037		1-	A	G2
C 4512	CERAMIC CAP.	10pF	3KV	SL	CC45SL3FD100JYNNA	K00359037		1-	A	G3
C 4513	CHIP CAP.	0.01uF	50V	X7R	GRM155R71H103KA88D	K22178848		1-	A	H1
C 4514	CERAMIC CAP.	10pF	3KV	SL	CC45SL3FD100JYNNA	K00359037		1-	A	G3
C 4515	CERAMIC CAP.	10pF	3KV	SL	CC45SL3FD100JYNNA	K00359037		1-	A	G2
C 4516	CHIP CAP.	0.01uF	50V	X7R	GRM155R71H103KA88D	K22178848		1-	A	F6
C 4517	CHIP CAP.	0.01uF	50V	X7R	GRM155R71H103KA88D	K22178848		1-	A	H3
C 4518	CHIP CAP.	0.01uF	50V	X7R	GRM155R71H103KA88D	K22178848		1-	A	F2
C 4519	CHIP CAP.	12pF	630V	C0G	GRM31A5C2J120JW01D	K22281221		1-	A	H2
C 4520	CHIP CAP.	12pF	630V	C0G	GRM31A5C2J120JW01D	K22281221		1-	A	F2
C 4521	CHIP CAP.	12pF	630V	C0G	GRM31A5C2J120JW01D	K22281221		1-	A	H2
C 4522	CHIP CAP.	12pF	630V	C0G	GRM31A5C2J120JW01D	K22281221		1-	A	G2
C 4523	CHIP CAP.	12pF	630V	C0G	GRM31A5C2J120JW01D	K22281221		1-	A	H2
C 4524	CHIP CAP.	12pF	630V	C0G	GRM31A5C2J120JW01D	K22281221		1-	A	G2
C 4525	CHIP CAP.	0.001uF	50V	B	GRM155B11H102KA01D	K22178809		1-	A	B1
C 4526	CHIP CAP.	0.001uF	50V	B	GRM155B11H102KA01D	K22178809		1-	A	B1
C 4528	CHIP CAP.	0.001uF	50V	B	GRM155B11H102KA01D	K22178809		1-	A	F6
C 4529	CHIP CAP.	0.001uF	50V	B	GRM155B11H102KA01D	K22178809		1-	A	C5
C 4530	CHIP CAP.	0.001uF	50V	B	GRM155B11H102KA01D	K22178809		1-	A	C5
C 4531	CHIP CAP.	0.1uF	50V	X7R	GRM155R71H104KE14D	K22178872		1-	A	C5
C 4532	CHIP CAP.	0.1uF	50V	X7R	GRM155R71H104KE14D	K22178872		1-	A	C6
C 4533	CHIP CAP.	0.1uF	50V	X7R	GRM155R71H104KE14D	K22178872		1-	A	C6
C 4534	CHIP CAP.	0.01uF	50V	X7R	GRM155R71H103KA88D	K22178848		1-	A	C7
C 4536	CHIP CAP.	0.001uF	50V	B	GRM155B11H102KA01D	K22178809		1-	A	B7
C 4537	CHIP CAP.	0.1uF	250V	X7R	GRM31CR72E104KW03L	K22241804		1-	A	G1
C 4538	CHIP CAP.	0.01uF	250V	X7R	GRM21BR72E103KW03L	K22240801		1-	A	G1
C 4539	CHIP CAP.	0.01uF	250V	X7R	GRM21BR72E103KW03L	K22240801		1-	A	G1
C 4540	CHIP CAP.	0.1uF	250V	X7R	GRM31CR72E104KW03L	K22241804		1-	A	G1
C 4541	CHIP CAP.	0.001uF	250V	U2J	GRM21A7U2E102JW31D	K22240325		1-	A	F1
C 4542	CHIP CAP.	0.01uF	50V	X7R	GRM155R71H103KA88D	K22178848		1-	A	F1
C 4543	CHIP CAP.	0.1uF	50V	X7R	GRM155R71H104KE14D	K22178872		1-	A	F1
C 4550	CHIP CAP.	12pF	630V	C0G	GRM31A5C2J120JW01D	K22281221		1-	A	G2
C 4551	CHIP CAP.	12pF	630V	C0G	GRM31A5C2J120JW01D	K22281221		1-	A	G2
C 4552	CHIP CAP.	12pF	630V	C0G	GRM31A5C2J120JW01D	K22281221		1-	A	G2
C 4553	CHIP CAP.	12pF	630V	C0G	GRM31A5C2J120JW01D	K22281221		1-	A	G2
C 4557	CHIP CAP.	0.001uF	50V	B	GRM155B11H102KA01D	K22178809		1-	A	D5
C 4558	CHIP CAP.	1uF	25V	X5R	GRM155R61E105KE11D	K22149010		1-	A	D5
C 4560	CHIP CAP.	0.001uF	50V	B	GRM155B11H102KA01D	K22178809		1-	A	B1
C 4561	CHIP CAP.	0.001uF	50V	B	GRM155B11H102KA01D	K22178809		1-	A	B1
C 4562	CHIP CAP.	0.01uF	50V	X7R	GRM155R71H103KA88D	K22178848		1-	A	B5
C 4563	CHIP CAP.	0.1uF	50V	X7R	GRM155R71H104KE14D	K22178872		1-	A	B5
C 4564	CHIP CAP.	0.01uF	50V	X7R	GRM155R71H103KA88D	K22178848		1-	A	B5
C 4565	CHIP CAP.	0.1uF	50V	X7R	GRM155R71H104KE14D	K22178872		1-	A	C4
C 4566	CHIP CAP.	22pF	50V	CH	GRM1552C1H220JA01D	K22178220		1-	A	A7
C 4567	CHIP CAP.	0.1uF	50V	X7R	GRM155R71H104KE14D	K22178872		1-	A	A7

FINAL Unit Parts List

REF	DESCRIPTION	VALUE	V/W	TOL.	MFR'S DESIG	YAESU P/N	VERS.	LOT	SIDE	LAY ADR
C 4568	CHIP CAP.	0.001uF	50V	B	GRM155B11H102KA01D	K22178809		1-	A	A7
C 4570	CHIP CAP.	0.001uF	50V	B	GRM155B11H102KA01D	K22178809		1-	A	A2
C 4571	CHIP CAP.	0.001uF	50V	B	GRM155B11H102KA01D	K22178809		1-	A	A2
C 4572	CHIP CAP.	0.001uF	50V	B	GRM155B11H102KA01D	K22178809		1-	A	A3
C 4575	CHIP CAP.	1pF	250V	C0G	GQM2195C2E1R0CB12D	K22240244		1-	A	G2
C 4576	CHIP CAP.	0.0012uF	50V	C0G	GRM1555C1H122JA01D	K22179758		1-	A	G2
C 4577	CHIP CAP.	0.1uF	50V	X7R	GRM155R71H104KE14D	K22178872		1-	A	B5
C 4588	AL.ELECTRO.CAP.	10uF	25V		VS1E100MB054000CEO	K48140037		1-	A	A5
C 4589	AL.ELECTRO.CAP.	220uF	16V		HV221M016E077ETR	K48120041		1-	A	A5
C 4590	CHIP CAP.	0.001uF	50V	B	GRM155B11H102KA01D	K22178809		1-	A	A5
C 4591	CHIP CAP.	0.01uF	50V	X7R	GRM155R71H103KA88D	K22178848		1-	A	A5
C 4592	CHIP CAP.	0.1uF	50V	X7R	GRM155R71H104KE14D	K22178872		1-	A	A5
CS4001	CHIP SOLDER				15.1X4.1X0.2	S5000464		1-	A	E5
D 4001	DIODE				RN142S TE61	G2070994		1-	A	C6
D 4002	DIODE				RN142S TE61	G2070994		1-	A	C6
D 4003	DIODE				RN142S TE61	G2070994		1-	A	C7
D 4004	DIODE				RN142S TE61	G2070994		1-	A	C7
D 4005	DIODE				RSX101VA-30TR	G2070984		1-	A	A4
D 4006	DIODE				RSX101VA-30TR	G2070984		1-	A	A4
D 4007	DIODE				BAS316	G2070716		1-	A	A3
D 4008	DIODE				RSX101VA-30TR	G2070984		1-	A	A5
D 4009	DIODE				BAS316	G2070716		1-	A	B5
D 4010	DIODE				BAS316	G2070716		1-	A	B5
D 4011	DIODE				RN142S TE61	G2070994		1-	A	C6
D 4012	DIODE				RN142S TE61	G2070994		1-	A	C6
D 4013	DIODE				RN142S TE61	G2070994		1-	A	C7
D 4014	DIODE				RN142S TE61	G2070994		1-	A	C7
D 4015	DIODE				DAN202U T106	G2070162		1-	A	E6
D 4016	DIODE				BAS316	G2070716		1-	A	B6
D 4017	DIODE				BAS316	G2070716		1-	A	C5
D 4018	DIODE				BAS316	G2070716		1-	A	C5
D 4019	DIODE				BAS316	G2070716		1-	A	C5
D 4020	DIODE				DAN202U T106	G2070162		1-	A	D6
D 4021	DIODE				BAS316	G2070716		1-	A	C5
D 4022	DIODE				BAS316	G2070716		1-	A	C5
D 4023	DIODE				BAS316	G2070716		1-	A	B6
D 4024	DIODE				BAS316	G2070716		1-	A	B6
D 4025	DIODE				BAS316	G2070716		1-	A	B6
D 4026	DIODE				UDZS TE-17 6.2B	G2070912		1-	A	B6
D 4027	DIODE				BAS316	G2070716		1-	A	B6
D 4028	DIODE				DAN202U T106	G2070162		1-	A	B6
D 4029	DIODE				BAS316	G2070716		1-	A	E3
D 4030	DIODE				BAS316	G2070716		1-	A	E3
D 4031	DIODE				BAS316	G2070716		1-	A	C3
D 4032	DIODE				BAS316	G2070716		1-	A	D3
D 4033	DIODE				BAS316	G2070716		1-	A	C3
D 4034	DIODE				BAS316	G2070716		1-	A	B3
D 4035	DIODE				BAS316	G2070716		1-	A	C3
D 4036	DIODE				UDZS TE-17 6.8B	G2070888		1-	A	B6
D 4037	DIODE				UDZS TE-17 6.8B	G2070888		1-	A	B6
D 4038	DIODE				RB521VM-30TE-17	G2071668		1-	A	F2
D 4039	DIODE				RB521VM-30TE-17	G2071668		1-	A	F2
D 4040	DIODE				BAS316	G2070716		1-	A	G1
D 4041	DIODE				BAS316	G2070716		1-	A	F5
D 4042	DIODE				BAS316	G2070716		1-	A	H4
D 4043	DIODE				BAS316	G2070716		1-	A	F4
D 4044	DIODE				BAS316	G2070716		1-	A	F5
D 4045	DIODE				BAS316	G2070716		1-	A	H4
D 4046	DIODE				BAS316	G2070716		1-	A	F4
D 4047	DIODE				BAS316	G2070716		1-	A	H1
D 4048	DIODE				BAS316	G2070716		1-	A	F5
D 4049	DIODE				BAS316	G2070716		1-	A	H4
D 4050	DIODE				BAS316	G2070716		1-	A	F4
D 4051	DIODE				BAS316	G2070716		1-	A	G1
D 4052	DIODE				BAS316	G2070716		1-	A	F6
D 4053	DIODE				BAS316	G2070716		1-	A	H4
D 4054	DIODE				BAS316	G2070716		1-	A	F4
D 4055	DIODE				BAS316	G2070716		1-	A	F6
D 4056	DIODE				BAS316	G2070716		1-	A	H3
D 4057	DIODE				BAS316	G2070716		1-	A	F3
D 4058	SURGE ABSORBER				RHCA-301Q43U	Q9000827		1-	A	G1
D 4059	DIODE				BAS316	G2070716		1-	A	F6
D 4060	DIODE				BAS316	G2070716		1-	A	H3
D 4061	DIODE				BAS316	G2070716		1-	A	F3
D 4062	DIODE				1SS372(TE85R.F)	G2070632		1-	A	G1

FINAL Unit Parts List

REF	DESCRIPTION	VALUE	V/W	TOL.	MFR'S DESIG	YAESU P/N	VERS.	LOT	SIDE	LAY ADR
D 4063	DIODE				BAS316	G2070716		1-	A	H1
D 4064	DIODE				BAS316	G2070716		1-	A	F7
D 4065	DIODE				BAS316	G2070716		1-	A	H3
D 4066	DIODE				BAS316	G2070716		1-	A	F3
D 4067	DIODE				BAS316	G2070716		1-	A	F6
D 4068	DIODE				BAS316	G2070716		1-	A	H3
D 4069	DIODE				BAS316	G2070716		1-	A	F2
D 4070	SURGE ABSORBER				RHCA-501Q43U	Q9000922		1-	A	H1
D 4071	DIODE				BAS316	G2070716		1-	A	B1
D 4072	DIODE				RN142S TE61	G2070994		1-	A	A7
D 4074	DIODE				BAS316	G2070716		1-	A	A5
D 4075	DIODE				BAS316	G2070716		1-	A	B3
FB4001	FERRITE BEADS				BLM15BD182SN1D	L9190220		1-	A	A5
FB4002	FERRITE BEADS				BLM15BD182SN1D	L9190220		1-	A	A5
FB4003	FERRITE BEADS				BLM15BD182SN1D	L9190220		1-	A	A5
FB4004	FERRITE BEADS				FBMH3225HM102NT	L9190173		1-	A	D6
FB4005	RFC WITH BEADS				3A RI5.8X6.4-2	L1020732		1-	A	D4
FB4006	CORE				3A5 RIB-10X20X10	L9190101		1-		
HS4001	HEATSINK PLATE				(7X2.5)	RA6086800		1-	B	d7
HS4002	HEATSINK PLATE					RA6299900		1-	B	d5
HS4003	HEATSINK PLATE					RA0416500		1-	B	h4
J 4001	CONNECTOR				U.FL-R-SMT(10)	P1091155		1-	A	A7
J 4002	CONNECTOR				24FLT-SM2-TB(LF)(SN)(M)	P1091128		1-	A	A5
J 4003	CONNECTOR				SC25-12WS	P0090631		1-	A	A6
J 4004	CONNECTOR				IMSA-9202B-1-02-T	P0091174		1-	A	D6
J 4005	CONNECTOR				IMSA-9202B-1-02-T	P0091174		1-	A	E7
J 4006	CONNECTOR				B2B-EH(LF)(SN)	P0090666		1-	A	B1
J 4008	CONNECTOR				U.FL-R-SMT(10)	P1091155		1-	A	F2
J 4009	CONNECTOR				U.FL-R-SMT(10)	P1091155		1-	A	H1
J 4010	CONNECTOR				SC25-03WS	P0090622		1-	A	A1
J 4011	CONNECTOR				TSH-3563-12-PBT-T	P1091559		1-	A	B1
J 4012	CONNECTOR				SC25-02WS	P0090621		1-	A	A1
J 4013	CONNECTOR				SC25-06WS	P0090625		1-	A	B1
J 4014	CONNECTOR				TCS7705-5120177	P1091244		1-	A	B1
J 4015	CONNECTOR				LNB0508BC-6-05A	P1091598		1-	A	H1
J 4016	CONNECTOR				YKB21-5295V	P1091443		1-	A	C1
J 4017	CONNECTOR				SB20-08WS	P0090615		1-	A	H2
J 4018	CONNECTOR				HTJ-064-05G	P1091458		1-	B	h1
J 4019	CONNECTOR				SB20-04WS	P0090611		1-	A	A2
J 4020	CONNECTOR				SB20-03WS	P0090610		1-	A	D5
JP4001	WIRE ASSY				GRA 30 */* QEV	T9318351		1-	A	F1
L 4001	M.RFC	1000uH			LLM3225-102J	L1691157		1-	A	B6
L 4002	CHIP COIL	47uH		10%	LQH43CN470K03L	L1692219		1-	A	A7
L 4003	M.RFC	22uH			LK2125 220M-T	L1690335		1-	A	C6
L 4004	M.RFC	4.7uH			LK2125 4R7K-T	L1690327		1-	A	C6
L 4005	M.RFC	0.47uH			LK2125 R47K-T	L1690315		1-	A	C7
L 4006	M.RFC	0.47uH			LK2125 R47K-T	L1690315		1-	A	C7
L 4007	M.RFC	1.5uH			LK2125 1R5K-T	L1690321		1-	A	C6
L 4008	M.RFC	0.47uH			LK2125 R47K-T	L1690315		1-	A	C6
L 4009	M.RFC	0.68uH			LK2125 R68K-T	L1690317		1-	A	C7
L 4010	M.RFC	0.18uH			LK2125 R18K-T	L1690310		1-	A	C7
L 4011	CHIP COIL	2.7uH		2%	C2520C-2R7G-RA	L1691314		1-	A	D7
L 4012	M.RFC	6.8uH			MLF2012E6R8KT000	L1692058		1-	A	C6
L 4013	M.RFC	1.5uH			LK2125 1R5K-T	L1690321		1-	A	C6
L 4014	M.RFC	0.15uH			LQM21NNR15K10D	L1692056		1-	A	C7
L 4015	M.RFC	0.15uH			LQM21NNR15K10D	L1692056		1-	A	C7
L 4016	M.RFC	1.5uH			LK2125 1R5K-T	L1690321		1-	A	C6
L 4017	M.RFC	0.47uH			LK2125 R47K-T	L1690315		1-	A	C6
L 4018	M.RFC	0.68uH			LK2125 R68K-T	L1690317		1-	A	C7
L 4019	M.RFC	0.18uH			LK2125 R18K-T	L1690310		1-	A	C7
L 4020	CHIP COIL	0.39uH		2%	C2520C-R39G-RA	L1691301		1-	A	B7
L 4021	M.RFC	0.0082uH			C2012C-8N2M	L1690664		1-	A	B7
L 4022	M.RFC	22uH			LK2125 220M-T	L1690335		1-	A	C6
L 4023	M.RFC	4.7uH			LK2125 4R7K-T	L1690327		1-	A	C6
L 4024	M.RFC	0.47uH			LK2125 R47K-T	L1690315		1-	A	C7
L 4025	M.RFC	0.47uH			LK2125 R47K-T	L1690315		1-	A	C7
L 4026	CHIP COIL	0.39uH		2%	C2520C-R39G-RA	L1691301		1-	A	B7
L 4027	M.RFC	1000uH			LLM3225-102J	L1691157		1-	A	C6
L 4028	M.RFC	10uH			CDRH74-100MC	L1690599		1-	A	E7
L 4029	TOROIDAL COIL	6uH			N8C T10.9X5.8X4.7	L0023192		1-	A	E5
L 4030	TOROIDAL COIL	1.39uH			1.39U T50-6	L0022970		1-	A	D3
L 4031	TOROIDAL COIL	0.383uH			ERLA224	L0023232		1-	A	C3
L 4032	TOROIDAL COIL	0.42uH			0.42U T50-6	L0022971		1-	A	B3
L 4033	TOROIDAL COIL	0.305uH			ERLA220	L0023296		1-	A	D3
L 4034	COIL B1				ERSD118	L0023338		1-	A	F3

FINAL Unit Parts List

REF	DESCRIPTION	VALUE	V/W	TOL.	MFR'S DESIG	YAESU P/N	VERS.	LOT	SIDE	LAY ADR
L 4035	TOROIDAL COIL	1.75uH			ERLA229	L0023216		1-	A	C3
L 4036	TOROIDAL COIL	4.13uH			ERLA241	L0023340		1-	A	E3
L 4037	COIL F1				ERSD117	L0023336		1-	A	F2
L 4038	TOROIDAL COIL	1.04uH			ERLA227	L0023256		1-	A	D3
L 4039	TOROIDAL COIL	0.35uH			0.35U T68-6	L0022951		1-	A	C3
L 4040	TOROIDAL COIL	0.35uH			0.35U T68-6	L0022951		1-	A	B3
L 4041	TOROIDAL COIL	0.21uH			ERLA218	L0023298		1-	A	D3
L 4042	TOROIDAL COIL	3.67uH			3.67U T68-2	L0022907		1-	A	E2
L 4043	TOROIDAL COIL	1.13uH			ERLA228	L0023246		1-	A	C2
L 4044	COIL A1				ERSD116-1	L0023334		1-	A	F2
L 4045	TOROIDAL COIL	1.04uH			ERLA227	L0023256		1-	A	D2
L 4046	TOROIDAL COIL	0.578uH			ERLA225	L0023234		1-	A	C2
L 4047	TOROIDAL COIL	0.305uH			ERLA220	L0023296		1-	A	B2
L 4048	TOROIDAL COIL	0.21uH			ERLA218	L0023298		1-	A	D2
L 4049	M.RFC	1000uH			LLM3225-102J	L1691157		1-	A	F2
L 4050	TOROIDAL COIL	260uH			260U 3A RI9.3-4.8-5	L0022767A		1-	A	F1
L 4051	M.RFC	1000uH			LLM3225-102J	L1691157		1-	A	F2
L 4052	COIL A1				2.5T16D1.6PEW R	L0022785		1-	A	G5
L 4053	COIL A1				2.5T16D1.6PEW R	L0022785		1-	A	G5
L 4054	COIL A1				1.5T16D1.6PEW R	L0022784		1-	A	G5
L 4055	COIL A1				2.5T16D1.6PEW R	L0022785		1-	A	G6
L 4056	COIL A1				2.5T16D1.6PEW R	L0022785		1-	A	G6
L 4057	COIL A1				3.5T16D1.6PEW R	L0022786		1-	A	G6
L 4058	COIL A1				6.5T16D1.6PEW R	L0022787		1-	A	G7
L 4059	TOROIDAL COIL	2.6uH			2.60U T80-6	L0022789A		1-	A	H7
L 4060	TOROIDAL COIL	4.1uH			4.10U T80-2	L0022790A		1-	A	H6
L 4061	TOROIDAL COIL	4.1uH			4.10U T80-2	L0022790A		1-	A	H5
L 4062	M.RFC	120uH			RCH-875 121K	L1190396		1-	A	G1
L 4063	M.RFC	22uH			RCR875DNP-220L	L1190397		1-	A	F1
L 4064	CHIP COIL	0.39uH		2%	LQW2UASR39G00L	L1691952		1-	A	A7
P 4001	WIRE ASSY				AH025H-110MM4P	T9207317A		1-		
P 4002	CONNECTOR				IMSA-9206H-T	P1090988		1-		
P 4003	CONNECTOR				IMSA-9206H-T	P1090988		1-		
Q 4001	TRANSISTOR				DTC114EUA T106	G3070084		1-	A	D6
Q 4002	TRANSISTOR				MMG3H21NT1	G3070563		1-	A	A7
Q 4003	IC				TAR5S30U(TE85L.F)	G1094596		1-	A	B6
Q 4004	IC				F2255NLGK8	G1095332		1-	A	B7
Q 4005	IC				NJM7808DL1A-TE1	G1093802		1-	A	A4
Q 4006	FET				RD01MUS2-T513	G3070544		1-	A	D7
Q 4008	IC				NJM7805DL1A	G1094379		1-	A	A4
Q 4009	TRANSISTOR				DTC114EUA T106	G3070084		1-	A	D6
Q 4010	TRANSISTOR				DTC144EUA T106	G3070041		1-	A	B5
Q 4011	FET				RD04HMS2	G3090176		1-	A	E7
Q 4012	TRANSISTOR				DTC144EUA T106	G3070041		1-	A	B6
Q 4013	TRANSISTOR				2SA1576A T106 R	G3115768R		1-	A	B6
Q 4014	IC				LM2902PWR	G1094009		1-	A	B5
Q 4015	TRANSISTOR				DTC114EUA T106	G3070084		1-	A	D6
Q 4016	TRANSISTOR				DTC114EUA T106	G3070084		1-	A	C6
Q 4017	IC				LM2902PWR	G1094009		1-	A	D6
Q 4018	IC				TC4W53FU(TE12L_F)	G1091675		1-	A	B5
Q 4019	TRANSISTOR				2SC4081 T106 R	G3340818R		1-	A	B6
Q 4020	TRANSISTOR				2SC4081 T106 R	G3340818R		1-	A	B5
Q 4021	TRANSISTOR				2SB1182-TLQ	G3070063		1-	A	B5
Q 4022	TRANSISTOR				DTC114EUA T106	G3070084		1-	A	C6
Q 4023	FET				RD70HUP2	G3090175		1-	A	E5
Q 4024	TRANSISTOR				DTC144EUA T106	G3070041		1-	A	B5
Q 4025	TRANSISTOR				DTC114EUA T106	G3070084		1-	A	C6
Q 4026	IC				INA180B1IDBVR	G1095724		1-	A	C4
Q 4027	TRANSISTOR				2SC4081 T106 R	G3340818R		1-	A	B6
Q 4028	TRANSISTOR				DTC144EUA T106	G3070041		1-	A	B6
Q 4029	TRANSISTOR				DTC114EUA T106	G3070084		1-	A	C6
Q 4030	IC				BU2152FS(TAPE)	G1093942		1-	A	E6
Q 4031	TRANSISTOR				UMD5N TR	G3070343		1-	A	D6
Q 4032	TRANSISTOR				DTC114EUA T106	G3070084		1-	A	C5
Q 4033	TRANSISTOR				DTC114EUA T106	G3070084		1-	A	C5
Q 4034	TRANSISTOR				DTC114EUA T106	G3070084		1-	A	C5
Q 4035	TRANSISTOR				DTC114EUA T106	G3070084		1-	A	C5
Q 4036	TRANSISTOR				DTC114EUA T106	G3070084		1-	A	C5
Q 4037	IC				LM2902PWR	G1094009		1-	A	B6
Q 4038	TRANSISTOR				DTC114EUA T106	G3070084		1-	A	C5
Q 4039	TRANSISTOR				DTC114EUA T106	G3070084		1-	A	C5
Q 4040	IC				BU2152FS(TAPE)	G1093942		1-	A	C5
Q 4041	IC				BU2505FV-E2	G1093714		1-	A	C5
Q 4042	TRANSISTOR				DTC114EUA T106	G3070084		1-	A	F3
Q 4043	TRANSISTOR				DTC114EUA T106	G3070084		1-	A	H2

FINAL Unit Parts List

REF	DESCRIPTION	VALUE	V/W	TOL.	MFR'S DESIG	YAESU P/N	VERS.	LOT	SIDE	LAY ADR
Q 4044	TRANSISTOR				DTC114EUA T106	G3070084		1-	A	F5
Q 4045	TRANSISTOR				DTC114EUA T106	G3070084		1-	A	F3
Q 4046	TRANSISTOR				DTC114EUA T106	G3070084		1-	A	H3
Q 4047	TRANSISTOR				DTC114EUA T106	G3070084		1-	A	F5
Q 4048	TRANSISTOR				UMD5N TR	G3070343		1-	A	G1
Q 4049	TRANSISTOR				DTC114EUA T106	G3070084		1-	A	F3
Q 4050	TRANSISTOR				DTC114EUA T106	G3070084		1-	A	H3
Q 4051	TRANSISTOR				DTC114EUA T106	G3070084		1-	A	F5
Q 4052	TRANSISTOR				UMD5N TR	G3070343		1-	A	H1
Q 4053	TRANSISTOR				DTC114EUA T106	G3070084		1-	A	F3
Q 4054	TRANSISTOR				DTC114EUA T106	G3070084		1-	A	H3
Q 4055	TRANSISTOR				DTC114EUA T106	G3070084		1-	A	F6
Q 4056	TRANSISTOR				DTC114EUA T106	G3070084		1-	A	F4
Q 4057	TRANSISTOR				DTC114EUA T106	G3070084		1-	A	H4
Q 4058	TRANSISTOR				DTC114EUA T106	G3070084		1-	A	F6
Q 4059	TRANSISTOR				2SC4081 T106 R	G3340818R		1-	A	H1
Q 4060	TRANSISTOR				DTC114EUA T106	G3070084		1-	A	F4
Q 4061	TRANSISTOR				DTC114EUA T106	G3070084		1-	A	H4
Q 4062	TRANSISTOR				DTC114EUA T106	G3070084		1-	A	F6
Q 4063	TRANSISTOR				2SC4081 T106 R	G3340818R		1-	A	H1
Q 4064	TRANSISTOR				DTC114EUA T106	G3070084		1-	A	F4
Q 4065	TRANSISTOR				DTC114EUA T106	G3070084		1-	A	H4
Q 4066	TRANSISTOR				DTC114EUA T106	G3070084		1-	A	F7
Q 4067	TRANSISTOR				DTC114EUA T106	G3070084		1-	A	F4
Q 4068	TRANSISTOR				DTC114EUA T106	G3070084		1-	A	H4
Q 4069	TRANSISTOR				DTC114EUA T106	G3070084		1-	A	F7
Q 4070	POLY SWITCH				MINISMDC150F/16	G9090183		1-	A	B1
Q 4071	IC				LM2904PWR	G1094010		1-	A	B5
Q 4072	TRANSISTOR				2SC4081 T106 R	G3340818R		1-	A	H1
Q 4073	TRANSISTOR				2SC4081 T106 R	G3340818R		1-	A	H2
Q 4074	TRANSISTOR				2SC4081 T106 R	G3340818R		1-	A	H2
Q 4075	TRANSISTOR				2SA1162GR TE85R	G3111627G		1-	A	H2
Q 4076	TRANSISTOR				KTB1151-Y-U/PH	G3090162		1-	A	H2
Q 4078	TRANSISTOR				2SC4081 T106 R	G3340818R		1-	A	B5
Q 4079	TRANSISTOR				DTD123YK T146	G3070157		1-	A	B5
Q 4080	TRANSISTOR				DTC114EUA T106	G3070084		1-	A	H1
Q 4083	IC				NJM2386ADL3-12-TE1	G1095764		1-	A	A5
R 4002	CHIP RES.	0	1/16W	5%	RMC1/16 000JATP	J24185000		1-	A	A7
R 4004	CHIP RES.	470	1/16W	5%	RMC1/16S 471JTH	J24189021		1-	A	D6
R 4005	CHIP RES.	10k	1/16W	5%	RMC1/16S 103JTH	J24189037		1-	A	D6
R 4006	CHIP RES.	1k	1/16W	5%	RMC1/16S 102JTH	J24189025		1-	A	D6
R 4007	CHIP RES.	820	1/16W	5%	RMC1/16 821JATP	J24185821		1-	A	D7
R 4008	CHIP RES.	330	1/10W	5%	RMC1/10T 331J	J24205331		1-	A	B6
R 4009	CHIP RES.	5.6	1/16W	5%	RMC1/16 5R6JATP	J24185569		1-	A	D7
R 4010	CHIP RES.	10k	1/16W	5%	RMC1/16S 103JTH	J24189037		1-	A	D6
R 4011	CHIP RES.	0	1/4W	5%	RMC1/4 000JATP	J24245000		1-	A	A7
R 4012	CHIP RES.	220	1/10W	5%	RMC1/10T 221J	J24205221		1-	A	C6
R 4013	CHIP RES.	220	1/10W	5%	RMC1/10T 221J	J24205221		1-	A	C6
R 4014	CHIP RES.	220	1/10W	5%	RMC1/10T 221J	J24205221		1-	A	C7
R 4015	CHIP RES.	220	1/10W	5%	RMC1/10T 221J	J24205221		1-	A	C7
R 4016	CHIP RES.	820	1/16W	5%	RMC1/16 821JATP	J24185821		1-	A	D7
R 4018	CHIP RES.	100	1/16W	5%	RMC1/16S 101JTH	J24189013		1-	A	D6
R 4019	CHIP RES.	1.8k	1/16W	5%	RMC1/16S 182JTH	J24189028		1-	A	A5
R 4020	CHIP RES.	47	1/16W	5%	RMC1/16 470JATP	J24185470		1-	A	D7
R 4021	CHIP RES.	100	1/16W	5%	RMC1/16 101JATP	J24185101		1-	A	D6
R 4023	CHIP RES.	100	1/16W	5%	RMC1/16 101JATP	J24185101		1-	A	D7
R 4024	CHIP RES.	47k	1/16W	5%	RMC1/16 473JATP	J24185473		1-	A	D7
R 4025	CHIP RES.	0	1/16W	5%	RMC1/16S JPTH	J24189070		1-	A	B4
R 4026	CHIP RES.	0	1/16W	5%	RMC1/16S JPTH	J24189070		1-	A	B7
R 4027	CHIP RES.	0	1/16W	5%	RMC1/16S JPTH	J24189070		1-	A	B7
R 4029	CHIP RES.	470	1/16W	5%	RMC1/16 471JATP	J24185471		1-	A	D7
R 4031	CHIP RES.	3.3k	1/16W	1%	RMC1/16SK332FTH	J24189518		1-	A	C4
R 4032	CHIP RES.	15k	1/16W	1%	RMC1/16SK153FTH	J24189491		1-	A	C4
R 4033	CHIP RES.	10k	1/16W	5%	RMC1/16S 103JTH	J24189037		1-	A	D6
R 4035	CHIP RES.	220	1/16W	5%	RMC1/16S 221JTH	J24189017		1-	A	D6
R 4036	CHIP RES.	0	1/16W	5%	RMC1/16 000JATP	J24185000		1-	A	B7
R 4037	CHIP RES.	1k	1/16W	5%	RMC1/16S 102JTH	J24189025		1-	A	D6
R 4038	CHIP RES.	3.3	1W	5%	RMC1 3R3JTE	J24305339		1-	A	A4
R 4040	CHIP RES.	10k	1/16W	5%	RMC1/16S 103JTH	J24189037		1-	A	D6
R 4042	CHIP RES.	3.3	1W	5%	RMC1 3R3JTE	J24305339		1-	A	A4
R 4043	CHIP RES.	220	1/16W	5%	RMC1/16S 221JTH	J24189017		1-	A	D6
R 4044	CHIP RES.	3.3	1W	5%	RMC1 3R3JTE	J24305339		1-	A	B4
R 4045	CHIP RES.	100	1/16W	5%	RMC1/16 101JATP	J24185101		1-	A	E7
R 4046	CHIP RES.	10	1/16W	5%	RMC1/16 100JATP	J24185100		1-	A	E7
R 4047	CHIP RES.	100	1/16W	5%	RMC1/16 101JATP	J24185101		1-	A	E7

FINAL Unit Parts List

REF	DESCRIPTION	VALUE	V/W	TOL.	MFR'S DESIG	YAESU P/N	VERS.	LOT	SIDE	LAY ADR
R 4048	CHIP RES.	220	1/2W	5%	RMC1/2 221JCTP	J24275221		1-	A	E7
R 4049	CHIP RES.	220	1/10W	5%	RMC1/10T 221J	J24205221		1-	A	C6
R 4050	CHIP RES.	220	1/10W	5%	RMC1/10T 221J	J24205221		1-	A	C6
R 4051	CHIP RES.	220	1/10W	5%	RMC1/10T 221J	J24205221		1-	A	C7
R 4052	CHIP RES.	220	1/10W	5%	RMC1/10T 221J	J24205221		1-	A	C7
R 4053	CHIP RES.	0	1/16W	5%	RMC1/16S JPTH	J24189070		1-	A	B5
R 4054	CHIP RES.	1k	1/16W	5%	RMC1/16 102JATP	J24185102		1-	A	E7
R 4055	CHIP RES.	4.7k	1/16W	5%	RMC1/16S 472JTH	J24189033		1-	A	C6
R 4057	CHIP RES.	47k	1/16W	5%	RMC1/16S 473JTH	J24189045		1-	A	B6
R 4059	CHIP RES.	330	1/10W	5%	RMC1/10T 331J	J24205331		1-	A	C6
R 4060	CHIP RES.	47	1/16W	5%	RMC1/16S 470JTH	J24189009		1-	A	B6
R 4061	CHIP RES.	100	1/16W	5%	RMC1/16S 101JTH	J24189013		1-	A	B5
R 4062	CHIP RES.	10k	1/16W	5%	RMC1/16S 103JTH	J24189037		1-	A	B6
R 4063	CHIP RES.	2.2k	1/16W	5%	RMC1/16S 222JTH	J24189029		1-	A	B6
R 4064	CHIP RES.	47	1/16W	5%	RMC1/16S 470JTH	J24189009		1-	A	B6
R 4065	CHIP RES.	470	1/16W	1%	RMC1/16SK471FTH	J24189512		1-	A	B5
R 4066	CHIP RES.	330	1/16W	1%	RMC1/16SK331FTH	J24189510		1-	A	B5
R 4067	CHIP RES.	100	1/16W	5%	RMC1/16 101JATP	J24185101		1-	A	F6
R 4068	CHIP RES.	10k	1/16W	5%	RMC1/16S 103JTH	J24189037		1-	A	D6
R 4069	CHIP RES.	1k	1/16W	5%	RMC1/16S 102JTH	J24189025		1-	A	B5
R 4070	CHIP RES.	100k	1/16W	5%	RMC1/16S 104JTH	J24189049		1-	A	C6
R 4071	CHIP RES.	33	1/10W	5%	RMC1/10T 330J	J24205330		1-	A	C6
R 4072	CHIP RES.	10k	1/16W	5%	RMC1/16S 103JTH	J24189037		1-	A	B5
R 4073	CHIP RES.	22k	1/16W	1%	RMC1/16SK223FTH	J24189492		1-	A	B5
R 4074	CHIP RES.	47k	1/16W	1%	RMC1/16SK473FTH	J24189525		1-	A	B5
R 4075	CHIP RES.	6.8k	1/16W	5%	RMC1/16S 682JTH	J24189035		1-	A	B5
R 4076	CHIP RES.	10k	1/16W	5%	RMC1/16S 103JTH	J24189037		1-	A	B5
R 4077	CHIP RES.	1	1W	5%	RMC1 1R0JTE	J24305010		1-	A	D6
R 4078	CHIP RES.	1	1W	5%	RMC1 1R0JTE	J24305010		1-	A	E6
R 4079	CHIP RES.	47k	1/16W	1%	RMC1/16SK473FTH	J24189525		1-	A	B5
R 4080	CHIP RES.	220	1/16W	5%	RMC1/16S 221JTH	J24189017		1-	A	D6
R 4081	CHIP RES.	1k	1/16W	5%	RMC1/16 102JATP	J24185102		1-	A	D6
R 4082	CHIP RES.	1k	1/16W	5%	RMC1/16S 102JTH	J24189025		1-	A	D6
R 4084	CHIP RES.	10	1W	5%	RMC1 100JTE	J24305100		1-	A	D6
R 4085	CHIP RES.	10	1W	5%	RMC1 100JTE	J24305100		1-	A	E6
R 4086	CHIP RES.	22k	1/16W	1%	RMC1/16SK223FTH	J24189492		1-	A	B5
R 4087	CHIP RES.	22k	1/16W	5%	RMC1/16S 223JTH	J24189041		1-	A	B5
R 4088	CHIP RES.	1k	1/16W	5%	RMC1/16S 102JTH	J24189025		1-	A	B5
R 4089	CHIP RES.	2.2k	1/16W	5%	RMC1/16S 222JTH	J24189029		1-	A	B5
R 4090	CHIP RES.	10k	1/16W	5%	RMC1/16S 103JTH	J24189037		1-	A	D6
R 4091	CHIP RES.	10k	1/16W	5%	RMC1/16S 103JTH	J24189037		1-	A	B5
R 4092	CHIP RES.	100	1/16W	5%	RMC1/16 101JATP	J24185101		1-	A	D6
R 4093	CHIP RES.	10k	1/4W	5%	RMC1/4 103JATP	J24245103		1-	A	E6
R 4094	CHIP RES.	10k	1/4W	5%	RMC1/4 103JATP	J24245103		1-	A	E6
R 4095	CHIP RES.	0	1/16W	5%	RMC1/16S JPTH	J24189070		1-	A	B5
R 4096	CHIP RES.	100	1/16W	5%	RMC1/16S 101JTH	J24189013		1-	A	D6
R 4097	CHIP RES.	100k	1/16W	5%	RMC1/16S 104JTH	J24189049		1-	A	C6
R 4098	CHIP RES.	33	1/10W	5%	RMC1/10T 330J	J24205330		1-	A	C6
R 4099	CHIP RES.	1k	1/16W	5%	RMC1/16S 102JTH	J24189025		1-	A	C5
R 4100	CHIP RES.	22	1W	5%	RMC1 220JTE	J24305220		1-	A	F5
R 4101	CHIP RES.	3.3k	1/16W	5%	RMC1/16S 332JTH	J24189031		1-	A	B5
R 4102	CHIP RES.	22	1W	5%	RMC1 220JTE	J24305220		1-	A	D5
R 4103	CHIP RES.	100	1/16W	5%	RMC1/16 101JATP	J24185101		1-	A	D6
R 4104	CHIP RES.	10k	1/16W	5%	RMC1/16S 103JTH	J24189037		1-	A	B5
R 4105	CHIP RES.	47k	1/16W	5%	RMC1/16S 473JTH	J24189045		1-	A	B5
R 4106	CHIP RES.	2.2k	1/16W	5%	RMC1/16S 222JTH	J24189029		1-	A	B5
R 4107	CHIP RES.	22	1W	5%	RMC1 220JTE	J24305220		1-	A	F5
R 4108	CHIP RES.	0.003	3W	1%	MLP63CKR003FTE	J24359001		1-	A	C4
R 4109	CHIP RES.	100k	1/16W	1%	RMC1/16SK104FTH	J24189529		1-	A	B5
R 4110	CHIP RES.	22	1W	5%	RMC1 220JTE	J24305220		1-	A	D5
R 4113	CHIP RES.	33	1W	5%	RMC1 330JTE	J24305330		1-	A	A2
R 4114	CHIP RES.	33k	1/16W	1%	RMC1/16SK333FTH	J24189494		1-	A	B5
R 4115	CHIP RES.	100k	1/16W	5%	RMC1/16S 104JTH	J24189049		1-	A	C6
R 4116	CHIP RES.	33	1/10W	5%	RMC1/10T 330J	J24205330		1-	A	C6
R 4119	CHIP RES.	1k	1/16W	5%	RMC1/16S 102JTH	J24189025		1-	A	B5
R 4120	CHIP RES.	10k	1/16W	5%	RMC1/16S 103JTH	J24189037		1-	A	B5
R 4122	CHIP RES.	220k	1/16W	5%	RMC1/16S 224JTH	J24189053		1-	A	B5
R 4123	CHIP RES.	470	1/16W	5%	RMC1/16S 471JTH	J24189021		1-	A	C5
R 4128	CHIP RES.	100k	1/16W	5%	RMC1/16S 104JTH	J24189049		1-	A	B5
R 4129	CHIP RES.	100k	1/16W	5%	RMC1/16S 104JTH	J24189049		1-	A	C6
R 4130	CHIP RES.	33	1/10W	5%	RMC1/10T 330J	J24205330		1-	A	C6
R 4131	CHIP RES.	0	1/16W	5%	RMC1/16S JPTH	J24189070		1-	A	B6
R 4132	CHIP RES.	1k	1/16W	5%	RMC1/16S 102JTH	J24189025		1-	A	B6
R 4134	CHIP RES.	470	1/16W	5%	RMC1/16S 471JTH	J24189021		1-	A	C5
R 4135	CHIP RES.	470	1/16W	5%	RMC1/16S 471JTH	J24189021		1-	A	C5

FINAL Unit Parts List

REF	DESCRIPTION	VALUE	V/W	TOL.	MFR'S DESIG	YAESU P/N	VERS.	LOT	SIDE	LAY ADR
R 4136	CHIP RES.	470	1/16W	5%	RMC1/16S 471JTH	J24189021		1-	A	F6
R 4140	CHIP RES.	100	1/16W	5%	RMC1/16S 101JTH	J24189013		1-	A	B6
R 4141	CHIP RES.	22k	1/16W	5%	RMC1/16S 223JTH	J24189041		1-	A	B6
R 4142	CHIP RES.	1k	1/16W	5%	RMC1/16S 102JTH	J24189025		1-	A	C4
R 4143	CHIP RES.	10k	1/16W	5%	RMC1/16S 103JTH	J24189037		1-	A	B6
R 4144	CHIP RES.	47	1/16W	5%	RMC1/16 470JATP	J24185470		1-	A	E4
R 4145	CHIP RES.	47	1/16W	5%	RMC1/16 470JATP	J24185470		1-	A	E3
R 4146	CHIP RES.	47	1/16W	5%	RMC1/16 470JATP	J24185470		1-	A	C4
R 4147	CHIP RES.	47	1/16W	5%	RMC1/16 470JATP	J24185470		1-	A	D3
R 4148	CHIP RES.	47	1/16W	5%	RMC1/16 470JATP	J24185470		1-	A	C4
R 4149	CHIP RES.	47	1/16W	5%	RMC1/16 470JATP	J24185470		1-	A	B4
R 4150	CHIP RES.	47	1/16W	5%	RMC1/16 470JATP	J24185470		1-	A	C3
R 4151	CHIP RES.	150k	1/16W	5%	RMC1/16S 154JTH	J24189051		1-	A	B6
R 4152	CHIP RES.	150k	1/16W	5%	RMC1/16S 154JTH	J24189051		1-	A	B6
R 4153	CHIP RES.	100k	1/16W	5%	RMC1/16S 104JTH	J24189049		1-	A	B6
R 4154	CHIP RES.	68k	1/16W	5%	RMC1/16S 683JTH	J24189047		1-	A	B6
R 4155	CHIP RES.	4.7k	1/16W	1%	RMC1/16SK472FTH	J24189488		1-	A	B6
R 4156	CHIP RES.	4.7k	1/16W	1%	RMC1/16SK472FTH	J24189488		1-	A	B6
R 4157	CHIP RES.	4.7k	1/16W	1%	RMC1/16SK472FTH	J24189488		1-	A	B6
R 4158	CHIP RES.	4.7k	1/16W	1%	RMC1/16SK472FTH	J24189488		1-	A	B6
R 4159	CHIP RES.	0	1W	5%	RMC1 JPATE	J24305000		1-	A	B1
R 4160	CHIP RES.	47k	1/16W	1%	RMC1/16SK473FTH	J24189525		1-	A	B6
R 4161	CHIP RES.	47k	1/16W	1%	RMC1/16SK473FTH	J24189525		1-	A	B6
R 4162	CHIP RES.	22k	1/16W	1%	RMC1/16SK223FTH	J24189492		1-	A	B6
R 4163	CHIP RES.	68k	1/16W	1%	RMC1/16SK683FTH	J24189527		1-	A	B6
R 4164	CHIP RES.	6.8k	1/16W	1%	RMC1/16SK682FTH	J24189521		1-	A	B6
R 4165	CHIP RES.	68k	1/16W	1%	RMC1/16SK683FTH	J24189527		1-	A	B6
R 4166	CHIP RES.	22k	1/16W	1%	RMC1/16SK223FTH	J24189492		1-	A	B6
R 4167	CHIP RES.	6.8k	1/16W	1%	RMC1/16SK682FTH	J24189521		1-	A	B6
R 4168	CHIP RES.	3.3k	1/16W	1%	RMC1/16 332FTP	J24183332		1-	A	F2
R 4169	CHIP RES.	56	1W	5%	RMC1 560JTE	J24305560		1-	A	F2
R 4170	CHIP RES.	2.7k	1/16W	1%	RMC1/16 272FTP	J24183272		1-	A	F2
R 4171	CHIP RES.	470	1/16W	5%	RMC1/16S 471JTH	J24189021		1-	A	C5
R 4172	CHIP RES.	56	1W	5%	RMC1 560JTE	J24305560		1-	A	F2
R 4173	CHIP RES.	2.7k	1/16W	1%	RMC1/16 272FTP	J24183272		1-	A	G2
R 4174	CHIP RES.	470	1/16W	5%	RMC1/16S 471JTH	J24189021		1-	A	C5
R 4175	CHIP RES.	3.3k	1/16W	1%	RMC1/16 332FTP	J24183332		1-	A	G2
R 4176	CHIP RES.	470	1/16W	5%	RMC1/16S 471JTH	J24189021		1-	A	C5
R 4177	CHIP RES.	47	1/16W	5%	RMC1/16S 470JTH	J24189009		1-	A	C5
R 4178	CHIP RES.	100	1/16W	5%	RMC1/16 101JATP	J24185101		1-	A	F5
R 4179	CHIP RES.	100	1/16W	5%	RMC1/16 101JATP	J24185101		1-	A	H5
R 4180	CHIP RES.	100	1/16W	5%	RMC1/16 101JATP	J24185101		1-	A	F4
R 4181	CHIP RES.	100	1/16W	5%	RMC1/16 101JATP	J24185101		1-	A	G1
R 4182	CHIP RES.	100	1/16W	5%	RMC1/16 101JATP	J24185101		1-	A	F5
R 4183	CHIP RES.	100	1/16W	5%	RMC1/16 101JATP	J24185101		1-	A	H4
R 4184	CHIP RES.	100	1/16W	5%	RMC1/16 101JATP	J24185101		1-	A	F4
R 4185	CHIP RES.	100	1/16W	5%	RMC1/16 101JATP	J24185101		1-	A	H1
R 4186	CHIP RES.	100	1/16W	5%	RMC1/16 101JATP	J24185101		1-	A	F5
R 4187	CHIP RES.	100	1/16W	5%	RMC1/16 101JATP	J24185101		1-	A	H4
R 4188	CHIP RES.	100	1/16W	5%	RMC1/16 101JATP	J24185101		1-	A	F4
R 4189	CHIP RES.	100	1/16W	5%	RMC1/16 101JATP	J24185101		1-	A	F6
R 4190	CHIP RES.	100	1/16W	5%	RMC1/16 101JATP	J24185101		1-	A	H4
R 4191	CHIP RES.	100	1/16W	5%	RMC1/16 101JATP	J24185101		1-	A	F3
R 4192	CHIP RES.	100	1/16W	5%	RMC1/16 101JATP	J24185101		1-	A	G1
R 4193	CHIP RES.	100	1/16W	5%	RMC1/16 101JATP	J24185101		1-	A	F6
R 4194	CHIP RES.	100	1/16W	5%	RMC1/16 101JATP	J24185101		1-	A	H3
R 4195	CHIP RES.	100	1/16W	5%	RMC1/16 101JATP	J24185101		1-	A	F3
R 4196	CHIP RES.	47k	1/16W	5%	RMC1/16 473JATP	J24185473		1-	A	H1
R 4197	CHIP RES.	100	1/16W	5%	RMC1/16 101JATP	J24185101		1-	A	F6
R 4198	CHIP RES.	100	1/16W	5%	RMC1/16 101JATP	J24185101		1-	A	H3
R 4199	CHIP RES.	100	1/16W	5%	RMC1/16 101JATP	J24185101		1-	A	F3
R 4200	CHIP RES.	100	1/16W	5%	RMC1/16 101JATP	J24185101		1-	A	H1
R 4201	CHIP RES.	10k	1/16W	5%	RMC1/16 103JATP	J24185103		1-	A	G1
R 4202	CHIP RES.	100	1/16W	5%	RMC1/16 101JATP	J24185101		1-	A	F7
R 4203	CHIP RES.	100	1/16W	5%	RMC1/16 101JATP	J24185101		1-	A	H3
R 4204	CHIP RES.	100	1/16W	5%	RMC1/16 101JATP	J24185101		1-	A	F3
R 4205	CHIP RES.	22	1/16W	5%	RMC1/16 220JATP	J24185220		1-	A	G1
R 4206	CHIP RES.	100	1/16W	5%	RMC1/16 101JATP	J24185101		1-	A	F6
R 4207	CHIP RES.	100	1/16W	5%	RMC1/16 101JATP	J24185101		1-	A	H3
R 4208	CHIP RES.	100	1/16W	5%	RMC1/16 101JATP	J24185101		1-	A	F2
R 4209	CHIP RES.	100k	1/16W	5%	RMC1/16 104JATP	J24185104		1-	A	H1
R 4210	CHIP RES.	270	1/16W	5%	RMC1/16S 271JTH	J24189018		1-	A	C6
R 4211	CHIP RES.	18	1/16W	5%	RMC1/16S 180JTH	J24189004		1-	A	C6
R 4212	CHIP RES.	270	1/16W	5%	RMC1/16S 271JTH	J24189018		1-	A	C6
R 4213	CHIP RES.	150	1/16W	5%	RMC1/16S 151JTH	J24189015		1-	A	C6

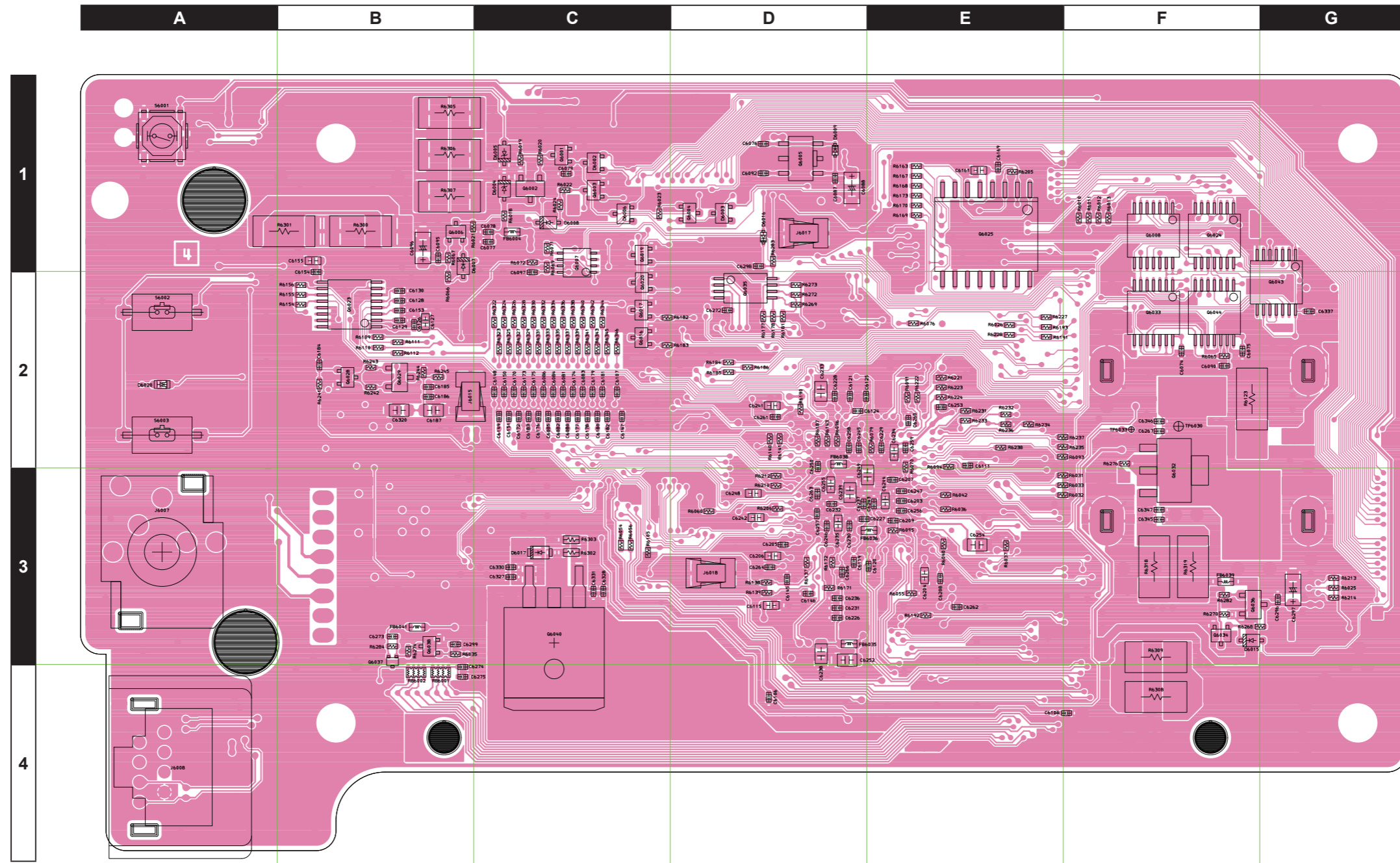
FINAL Unit Parts List

REF	DESCRIPTION	VALUE	V/W	TOL.	MFR'S DESIG	YAESU P/N	VERS.	LOT	SIDE	LAY ADR
R 4214	CHIP RES.	39	1/16W	5%	RMC1/16S 390JTH	J24189008		1-	A	C6
R 4215	CHIP RES.	150	1/16W	5%	RMC1/16S 151JTH	J24189015		1-	A	C6
R 4216	CHIP RES.	220	1/16W	5%	RMC1/16S 221JTH	J24189017		1-	A	C7
R 4217	CHIP RES.	22	1/16W	5%	RMC1/16S 220JTH	J24189005		1-	A	C7
R 4218	CHIP RES.	220	1/16W	5%	RMC1/16S 221JTH	J24189017		1-	A	C7
R 4220	CHIP RES.	0	1/16W	5%	RMC1/16S JPTH	J24189070		1-	A	C7
R 4222	CHIP RES.	27k	1/16W	5%	RMC1/16S 273JTH	J24189042		1-	A	D6
R 4223	CHIP RES.	22k	1/16W	5%	RMC1/16S 223JTH	J24189041		1-	A	D6
R 4224	CHIP RES.	18k	1/16W	5%	RMC1/16S 183JTH	J24189040		1-	A	D6
R 4225	CHIP RES.	10k	1/16W	5%	RMC1/16S 103JTH	J24189037		1-	A	D6
R 4226	CHIP RES.	10k	1/16W	5%	RMC1/16S 103JTH	J24189037		1-	A	D6
R 4227	CHIP RES.	10k	1/16W	5%	RMC1/16S 103JTH	J24189037		1-	A	D6
R 4233	CHIP RES.	0	1/16W	5%	RMC1/16 000JATP	J24185000		1-	A	F2
R 4234	CHIP RES.	100	1/4W	5%	RMC1/4 101JATP	J24245101		1-	A	H2
R 4235	CHIP RES.	100	1/4W	5%	RMC1/4 101JATP	J24245101		1-	A	H2
R 4236	CHIP RES.	100	1/4W	5%	RMC1/4 101JATP	J24245101		1-	A	H2
R 4237	CHIP RES.	0.33	1W	10%	RMC1 R33KATE	J24309001		1-	A	H2
R 4238	CHIP RES.	3.9k	1/16W	1%	RMC1/16SK392FTH	J24189519		1-	A	H2
R 4239	CHIP RES.	1k	1/16W	1%	RMC1/16SK102FTH	J24189487		1-	A	H2
R 4240	CHIP RES.	2.2k	1/16W	5%	RMC1/16S 222JTH	J24189029		1-	A	H1
R 4241	CHIP RES.	10k	1/16W	5%	RMC1/16S 103JTH	J24189037		1-	A	H1
R 4242	CHIP RES.	1k	1/16W	5%	RMC1/16S 102JTH	J24189025		1-	A	H2
R 4243	CHIP RES.	1k	1/16W	5%	RMC1/16S 102JTH	J24189025		1-	A	H2
R 4246	CHIP RES.	3.9k	1/16W	1%	RMC1/16SK392FTH	J24189519		1-	A	D5
R 4247	CHIP RES.	470	1/16W	5%	RMC1/16S 471JTH	J24189021		1-	A	B1
R 4248	CHIP RES.	0	1/16W	5%	RMC1/16S JPTH	J24189070		1-	A	B1
R 4249	CHIP RES.	0	1/16W	5%	RMC1/16S JPTH	J24189070		1-	A	B1
R 4250	CHIP RES.	0	1/16W	5%	RMC1/16S JPTH	J24189070		1-	A	B1
R 4251	CHIP RES.	0	1/16W	5%	RMC1/16S JPTH	J24189070		1-	A	B1
R 4252	CHIP RES.	0	1/16W	5%	RMC1/16S JPTH	J24189070		1-	A	B1
R 4253	CHIP RES.	0	1/16W	5%	RMC1/16S JPTH	J24189070		1-	A	B1
R 4254	CHIP RES.	0	1/16W	5%	RMC1/16S JPTH	J24189070		1-	A	B1
R 4255	CHIP RES.	0	1/16W	5%	RMC1/16S JPTH	J24189070		1-	A	B1
R 4256	CHIP RES.	1k	1/16W	1%	RMC1/16SK102FTH	J24189487		1-	A	B5
R 4257	CHIP RES.	5.6k	1/16W	1%	RMC1/16SK562FTH	J24189520		1-	A	B5
R 4258	CHIP RES.	4.7k	1/16W	5%	RMC1/16S 472JTH	J24189033		1-	A	B5
R 4260	CHIP RES.	1.2k	1/16W	5%	RMC1/16S 122JTH	J24189026		1-	A	D5
R 4261	CHIP RES.	2.2k	1/16W	5%	RMC1/16S 222JTH	J24189029		1-	A	C4
R 4263	CHIP RES.	0	1/16W	5%	RMC1/16S JPTH	J24189070		1-	A	C4
R 4264	CHIP RES.	2.2k	1/16W	5%	RMC1/16S 222JTH	J24189029		1-	A	D5
R 4267	CHIP RES.	1k	1/16W	5%	RMC1/16S 102JTH	J24189025		1-	A	A7
R 4269	CHIP RES.	0	1/10W	5%	RMC1/10T 000J	J24205000		1-	A	G2
R 4270	CHIP RES.	10k	1/16W	5%	RMC1/16S 103JTH	J24189037		1-	A	B5
R 4271	CHIP RES.	10k	1/16W	1%	RMC1/16SK103FTH	J24189489		1-	A	B5
R 4272	CHIP RES.	22k	1/16W	1%	RMC1/16SK223FTH	J24189492		1-	A	B5
R 4273	CHIP RES.	0	1/16W	5%	RMC1/16S JPTH	J24189070		1-	A	B5
R 4274	CHIP RES.	470k	1/16W	5%	RMC1/16S 474JTH	J24189057		1-	A	B5
R 4275	CHIP RES.	0	1/16W	5%	RMC1/16S JPTH	J24189070		1-	A	H1
R 4281	CHIP RES.	0	1/16W	5%	RMC1/16S JPTH	J24189070		1-	A	D6
R 4283	CHIP RES.	100k	1/16W	5%	RMC1/16S 104JTH	J24189049		1-	A	A5
RL4001	RELAY		DC14V		964-1C-12DS	M1190238		1-	A	B4
RL4002	RELAY		DC12V		FTR-B4SA012Z-B05	M1190209		1-	A	E3
RL4003	RELAY		DC12V		FTR-B4SA012Z-B05	M1190209		1-	A	C3
RL4004	RELAY		DC12V		FTR-B4SA012Z-B05	M1190209		1-	A	D3
RL4005	RELAY		DC12V		FTR-B4SA012Z-B05	M1190209		1-	A	C3
RL4006	RELAY		DC12V		FTR-B4SA012Z-B05	M1190209		1-	A	B3
RL4007	RELAY		DC12V		FTR-B4SA012Z-B05	M1190209		1-	A	D3
RL4008	RELAY		DC12V		FTR-B4SA012Z-B05	M1190209		1-	A	E3
RL4009	RELAY		DC12V		FTR-B4SA012Z-B05	M1190209		1-	A	E1
RL4010	RELAY		DC12V		FTR-B4SA012Z-B05	M1190209		1-	A	E1
RL4011	RELAY		DC12V		FTR-B4SA012Z-B05	M1190209		1-	A	D1
RL4012	RELAY		DC12V		FTR-B4SA012Z-B05	M1190209		1-	A	C1
RL4013	RELAY		DC12V		FTR-B4SA012Z-B05	M1190209		1-	A	B1
RL4014	RELAY		DC12V		FTR-B4SA012Z-B05	M1190209		1-	A	C1
RL4015	RELAY		DC12V		FTR-B4SA012Z-B05	M1190209		1-	A	D1
RL4016	RELAY		DC12V		G5Q-14 DC12V	M1190199		1-	A	G1
RL4017	RELAY				FTR-F3AA012E-(F)	M1190224		1-	A	F5
RL4018	RELAY				FTR-F3AA012E-(F)	M1190224		1-	A	H4
RL4019	RELAY				FTR-F3AA012E-(F)	M1190224		1-	A	F4
RL4020	RELAY		DC12V		G5Q-14 DC12V	M1190199		1-	A	G1
RL4021	RELAY				FTR-F3AA012E-(F)	M1190224		1-	A	F5
RL4022	RELAY				FTR-F3AA012E-(F)	M1190224		1-	A	H4
RL4023	RELAY				FTR-F3AA012E-(F)	M1190224		1-	A	F4
RL4024	RELAY				FTR-F3AA012E-(F)	M1190224		1-	A	F5
RL4025	RELAY				FTR-F3AA012E-(F)	M1190224		1-	A	H4

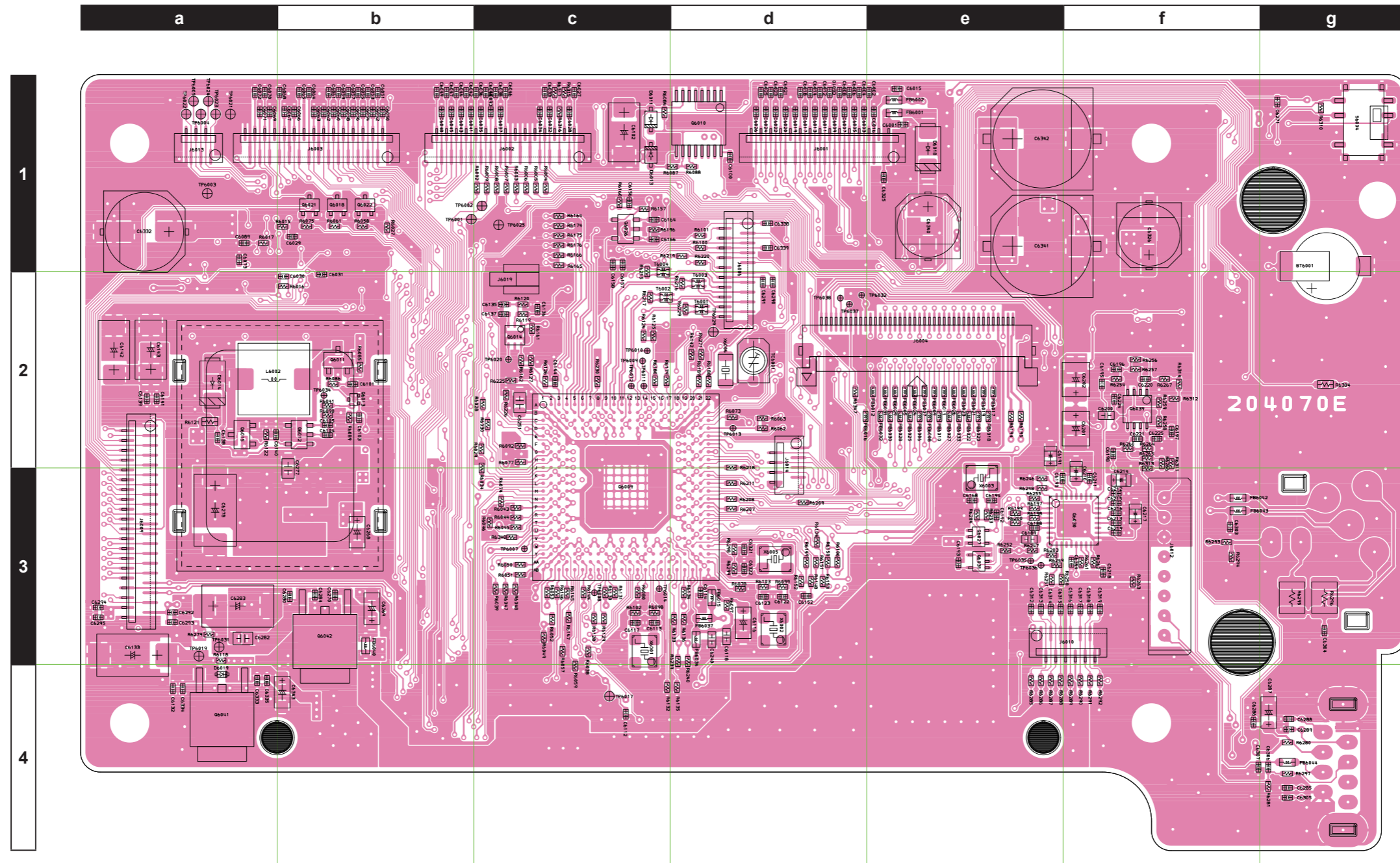
FINAL Unit Parts List

REF	DESCRIPTION	VALUE	V/W	TOL.	MFR'S DESIG	YAESU P/N	VERS.	LOT	SIDE	LAY ADR
RL4026	RELAY				FTR-F3AA012E-(F)	M1190224		1-	A	F4
RL4027	RELAY		DC12V		FTR-B4SA012Z-B05	M1190209		1-	A	G1
RL4028	RELAY				FTR-F3AA012E-(F)	M1190224		1-	A	F6
RL4029	RELAY				FTR-F3AA012E-(F)	M1190224		1-	A	H4
RL4030	RELAY				FTR-F3AA012E-(F)	M1190224		1-	A	F4
RL4031	RELAY				FTR-F3AA012E-(F)	M1190224		1-	A	F6
RL4032	RELAY				FTR-F3AA012E-(F)	M1190224		1-	A	H3
RL4033	RELAY				FTR-F3AA012E-(F)	M1190224		1-	A	F3
RL4034	RELAY				FTR-F3AA012E-(F)	M1190224		1-	A	F6
RL4035	RELAY				FTR-F3AA012E-(F)	M1190224		1-	A	H3
RL4036	RELAY				FTR-F3AA012E-(F)	M1190224		1-	A	F3
RL4037	RELAY				FTR-F3AA012E-(F)	M1190224		1-	A	F7
RL4038	RELAY				FTR-F3AA012E-(F)	M1190224		1-	A	H3
RL4039	RELAY				FTR-F3AA012E-(F)	M1190224		1-	A	F3
RL4040	RELAY				FTR-F3AA012E-(F)	M1190224		1-	A	F7
RL4041	RELAY				FTR-F3AA012E-(F)	M1190224		1-	A	H2
RL4042	RELAY				FTR-F3AA012E-(F)	M1190224		1-	A	F3
RL4043	RELAY		DC12V		FTR-B4SA012Z-B05	M1190209		1-	A	G1
RL4045	RELAY		DC14V		964-1C-12DS	M1190238		1-	A	A4
T 4001	TOROIDAL COIL	5.1uH			ERL9608	L0023250		1-	A	A3
T 4002	BALUN TRANSFORMERS				#458PT-1565	L0190273		1-	A	D7
T 4004	COIL PWR-WIDE				D12A-RID16X32X32	L0023360		1-	A	E4
TC4001	TRIMMER CAP.	20pF			KKT320TR	K91000294		1-	A	F2
TH4001	THERMISTOR				ERTJ0ER103J	G9090119		1-	A	E6
TH4003	THERMISTOR				NCP18XV103J03RB	G9090179		1-	A	D6
	SHIELD CASE				(19x25)	RA6068800		1-		
	TUBE				(SI)	RA1179900		1-		

DISPLAY Unit
Parts Layout (side A)



DISPLAY Unit
Parts Layout (side B)



DISPLAY Unit

Parts List

REF	DESCRIPTION	VALUE	V/W	TOL.	MFR'S DESIG	YAESU P/N	VERS.	LOT	SIDE	LAY ADR
BT6001	LITHIUM BATT.				ML614R-TT31	Q9000895		1-	B	g2
C 6001	CHIP CAP.	0.1uF	50V	X7R	GRM155R71H104KE14D	K22178872		1-	B	e1
C 6002	CHIP CAP.	100pF	50V	CH	GRM1552C1H101JA01D	K22178236		1-	B	e1
C 6003	CHIP CAP.	100pF	50V	CH	GRM1552C1H101JA01D	K22178236		1-	B	d1
C 6004	CHIP CAP.	100pF	50V	CH	GRM1552C1H101JA01D	K22178236		1-	B	d1
C 6005	CHIP CAP.	100pF	50V	CH	GRM1552C1H101JA01D	K22178236		1-	B	d1
C 6006	CHIP CAP.	100pF	50V	CH	GRM1552C1H101JA01D	K22178236		1-	B	d1
C 6007	CHIP CAP.	100pF	50V	CH	GRM1552C1H101JA01D	K22178236		1-	B	d1
C 6008	CHIP CAP.	100pF	50V	CH	GRM1552C1H101JA01D	K22178236		1-	B	d1
C 6009	CHIP CAP.	100pF	50V	CH	GRM1552C1H101JA01D	K22178236		1-	B	d1
C 6015	CHIP CAP.	0.1uF	50V	X7R	GRM155R71H104KE14D	K22178872		1-	B	e1
C 6016	CHIP CAP.	0.1uF	50V	X7R	GRM155R71H104KE14D	K22178872		1-	B	e1
C 6027	CHIP CAP.	100pF	50V	CH	GRM1552C1H101JA01D	K22178236		1-	B	c1
C 6029	CHIP CAP.	0.001uF	50V	C0G	GRM1555C1H102JA01D	K22179756		1-	B	b1
C 6030	CHIP CAP.	0.001uF	50V	C0G	GRM1555C1H102JA01D	K22179756		1-	B	b2
C 6031	CHIP CAP.	0.01uF	50V	X7R	GRM155R71H103KA88D	K22178848		1-	B	b2
C 6032	CHIP CAP.	100pF	50V	CH	GRM1552C1H101JA01D	K22178236		1-	B	c1
C 6033	CHIP CAP.	100pF	50V	CH	GRM1552C1H101JA01D	K22178236		1-	B	c1
C 6034	CHIP CAP.	100pF	50V	CH	GRM1552C1H101JA01D	K22178236		1-	B	c1
C 6041	CHIP CAP.	100pF	50V	CH	GRM1552C1H101JA01D	K22178236		1-	B	b1
C 6042	CHIP CAP.	100pF	50V	CH	GRM1552C1H101JA01D	K22178236		1-	B	b1
C 6066	CHIP CAP.	100pF	50V	CH	GRM1552C1H101JA01D	K22178236		1-	B	b1
C 6067	CHIP CAP.	22pF	50V	CH	GRM1552C1H220JA01D	K22178220		1-	B	b1
C 6068	CHIP CAP.	22pF	50V	CH	GRM1552C1H220JA01D	K22178220		1-	B	b1
C 6069	CHIP CAP.	22pF	50V	CH	GRM1552C1H220JA01D	K22178220		1-	B	a1
C 6070	CHIP CAP.	22pF	50V	CH	GRM1552C1H220JA01D	K22178220		1-	B	a1
C 6072	CHIP CAP.	100pF	50V	CH	GRM1552C1H101JA01D	K22178236		1-	B	a1
C 6073	CHIP CAP.	0.01uF	50V	X7R	GRM155R71H103KA88D	K22178848		1-	B	a1
C 6074	CHIP CAP.	0.01uF	50V	X7R	GRM155R71H103KA88D	K22178848		1-	A	F2
C 6075	CHIP CAP.	0.01uF	50V	X7R	GRM155R71H103KA88D	K22178848		1-	A	F2
C 6076	CHIP CAP.	0.1uF	50V	X7R	GRM155R71H104KE14D	K22178872		1-	A	D1
C 6077	CHIP CAP.	0.1uF	50V	X7R	GRM155R71H104KE14D	K22178872		1-	A	C1
C 6078	CHIP CAP.	0.1uF	50V	X7R	GRM155R71H104KE14D	K22178872		1-	A	C1
C 6079	CHIP CAP.	0.01uF	50V	X7R	GRM155R71H103KA88D	K22178848		1-	A	C1
C 6080	CHIP CAP.	220pF	50V	CH	GRM1552C1H221JA01D	K22179713		1-	A	C2
C 6081	CHIP CAP.	220pF	50V	CH	GRM1552C1H221JA01D	K22179713		1-	A	C2
C 6082	CHIP CAP.	220pF	50V	CH	GRM1552C1H221JA01D	K22179713		1-	A	C2
C 6083	CHIP CAP.	220pF	50V	CH	GRM1552C1H221JA01D	K22179713		1-	A	C2
C 6084	CHIP CAP.	220pF	50V	CH	GRM1552C1H221JA01D	K22179713		1-	A	C2
C 6085	CHIP CAP.	220pF	50V	CH	GRM1552C1H221JA01D	K22179713		1-	A	C2
C 6086	CHIP CAP.	220pF	50V	CH	GRM1552C1H221JA01D	K22179713		1-	A	C2
C 6087	CHIP CAP.	0.1uF	50V	X7R	GRM155R71H104KE14D	K22178872		1-	A	D1
C 6088	CHIP TA.CAP.	10uF	16V		TMCMA1C106MTRF	K78120077		1-	A	D1
C 6089	CHIP CAP.	0.001uF	50V	C0G	GRM1555C1H102JA01D	K22179756		1-	B	a1
C 6090	CHIP CAP.	0.001uF	50V	C0G	GRM1555C1H102JA01D	K22179756		1-	A	F2
C 6092	CHIP CAP.	0.1uF	50V	X7R	GRM155R71H104KE14D	K22178872		1-	A	D1
C 6095	CHIP CAP.	1uF	25V	X5R	GRM155R61E105KE11D	K22149010		1-	A	B1
C 6096	CHIP TA.CAP.	2.2uF	25V		TMCMA1E225MTRF	K78140020		2-	A	B1
C 6097	CHIP CAP.	0.01uF	50V	X7R	GRM155R71H103KA88D	K22178848		1-	A	C2
C 6100	CHIP CAP.	0.01uF	50V	X7R	GRM155R71H103KA88D	K22178848		1-	B	d1
C 6101	CHIP CAP.	0.1uF	50V	X7R	GRM155R71H104KE14D	K22178872		1-	B	b2
C 6102	CHIP TA.CAP.	47uF	16V		TAJCA476M016RNJ	K78120125		1-	B	c1
C 6103	CHIP CAP.	100pF	50V	CH	GRM1552C1H101JA01D	K22178236		1-	B	b2
C 6104	CHIP CAP.	0.1uF	50V	X7R	GRM155R71H104KE14D	K22178872		1-	B	b2
C 6105	CHIP CAP.	100pF	50V	CH	GRM1552C1H101JA01D	K22178236		1-	B	b2
C 6107	CHIP CAP.	22pF	50V	CH	GRM1552C1H220JA01D	K22178220		1-	A	C2
C 6111	CHIP CAP.	22pF	50V	CH	GRM1552C1H220JA01D	K22178220		1-	A	E3
C 6112	CHIP CAP.	0.001uF	50V	C0G	GRM1555C1H102JA01D	K22179756		1-	B	c4
C 6113	CHIP CAP.	7pF	50V	CH	GRM1552C1H7R0DA01D	K22178209		1-	B	c3
C 6114	CHIP CAP.	0.1uF	50V	X7R	GRM155R71H104KE14D	K22178872		1-	B	d3
C 6116	CHIP TA.CAP.	10uF	16V		TMCMA1C106MTRF	K78120077		1-	B	d3
C 6117	CHIP CAP.	7pF	50V	CH	GRM1552C1H7R0DA01D	K22178209		1-	B	c3
C 6118	CHIP CAP.	4.7uF	6.3V	B	JMK107BJ475MA-T	K22084803		1-	B	d3
C 6119	CHIP CAP.	0.1uF	50V	X7R	GRM155R71H104KE14D	K22178872		1-	A	D3
C 6120	CHIP CAP.	0.1uF	50V	X7R	GRM155R71H104KE14D	K22178872		1-	A	E3
C 6122	CHIP CAP.	8pF	50V	CH	GRM1552C1H8R0DA01D	K22178210		1-	B	d3
C 6123	CHIP CAP.	8pF	50V	CH	GRM1552C1H8R0DA01D	K22178210		1-	B	d3
C 6126	CHIP CAP.	0.1uF	50V	X7R	GRM155R71H104KE14D	K22178872		1-	A	B2
C 6127	CHIP CAP.	10uF	10V	B	GRM188B31A106ME69D	K22104810		1-	A	B2
C 6128	CHIP CAP.	0.001uF	50V	C0G	GRM1555C1H102JA01D	K22179756		1-	A	B2
C 6129	CHIP CAP.	0.001uF	50V	C0G	GRM1555C1H102JA01D	K22179756		1-	A	B2
C 6130	CHIP CAP.	0.001uF	50V	C0G	GRM1555C1H102JA01D	K22179756		1-	A	B2
C 6132	CHIP CAP.	0.1uF	50V	X7R	GRM155R71H104KE14D	K22178872		1-	B	a4
C 6133	CHIP TA.CAP.	100uF	10V		TAJD107M010RNJ	K78100113		1-	B	a3
C 6136	CHIP CAP.	0.1uF	50V	X7R	GRM155R71H104KE14D	K22178872		1-	B	c2

DISPLAY Unit

Parts List

REF	DESCRIPTION	VALUE	V/W	TOL.	MFR'S DESIG	YAESU P/N	VERS.	LOT	SIDE	LAY ADR
C 6137	CHIP CAP.	220pF	50V	CH	GRM1552C1H221JA01D	K22179713		1-	B	c2
C 6138	CHIP CAP.	47pF	50V	CH	GRM1552C1H470JA01D	K22178228		1-	B	a2
C 6139	CHIP CAP.	0.1uF	50V	X7R	GRM155R71H104KE14D	K22178872		1-	B	a2
C 6140	CHIP CAP.	100pF	50V	CH	GRM1552C1H101JA01D	K22178236		1-	B	a2
C 6141	CHIP CAP.	0.01uF	50V	X7R	GRM155R71H103KA88D	K22178848		1-	B	a2
C 6142	CHIP TA.CAP.	4.7uF	35V		TMCMC1V475MTRF	K78160036		1-	B	a2
C 6143	CHIP TA.CAP.	4.7uF	35V		TMCMC1V475MTRF	K78160036		1-	B	a2
C 6145	CHIP CAP.	0.1uF	50V	X7R	GRM155R71H104KE14D	K22178872		1-	A	D3
C 6146	CHIP CAP.	0.1uF	50V	X7R	GRM155R71H104KE14D	K22178872		1-	A	D3
C 6147	CHIP CAP.	22pF	50V	CH	GRM1552C1H220JA01D	K22178220		1-	A	C2
C 6148	CHIP CAP.	220pF	50V	CH	GRM1552C1H221JA01D	K22179713		1-	A	C2
C 6149	CHIP CAP.	220pF	50V	CH	GRM1552C1H221JA01D	K22179713		1-	A	C2
C 6150	CHIP CAP.	220pF	50V	CH	GRM1552C1H221JA01D	K22179713		1-	A	C2
C 6151	CHIP CAP.	220pF	50V	CH	GRM1552C1H221JA01D	K22179713		1-	A	C2
C 6152	CHIP CAP.	0.1uF	50V	X7R	GRM155R71H104KE14D	K22178872		1-	B	d3
C 6153	CHIP CAP.	0.001uF	50V	C0G	GRM1555C1H102JA01D	K22179756		1-	A	B2
C 6154	CHIP CAP.	0.1uF	50V	X7R	GRM155R71H104KE14D	K22178872		1-	A	B2
C 6155	CHIP CAP.	10uF	10V	B	GRM188B31A106ME69D	K22104810		1-	A	B1
C 6156	CHIP CAP.	0.01uF	50V	X7R	GRM155R71H103KA88D	K22178848		1-	B	c1
C 6158	CHIP CAP.	0.01uF	50V	X7R	GRM155R71H103KA88D	K22178848		1-	B	c2
C 6161	CHIP CAP.	4.7uF	6.3V	B	JMK107BJ475MA-T	K22084803		1-	A	E1
C 6164	CHIP CAP.	0.1uF	50V	X7R	GRM155R71H104KE14D	K22178872		1-	B	c1
C 6169	CHIP CAP.	0.1uF	50V	X7R	GRM155R71H104KE14D	K22178872		1-	A	E1
C 6170	CHIP CAP.	220pF	50V	CH	GRM1552C1H221JA01D	K22179713		1-	A	C2
C 6172	CHIP CAP.	220pF	50V	CH	GRM1552C1H221JA01D	K22179713		1-	A	C2
C 6173	CHIP CAP.	220pF	50V	CH	GRM1552C1H221JA01D	K22179713		1-	A	C2
C 6174	CHIP CAP.	220pF	50V	CH	GRM1552C1H221JA01D	K22179713		1-	A	C2
C 6175	CHIP CAP.	220pF	50V	CH	GRM1552C1H221JA01D	K22179713		1-	A	C2
C 6176	CHIP CAP.	220pF	50V	CH	GRM1552C1H221JA01D	K22179713		1-	A	C2
C 6177	CHIP CAP.	220pF	50V	CH	GRM1552C1H221JA01D	K22179713		1-	A	C2
C 6178	CHIP CAP.	220pF	50V	CH	GRM1552C1H221JA01D	K22179713		1-	A	C2
C 6179	CHIP CAP.	220pF	50V	CH	GRM1552C1H221JA01D	K22179713		1-	A	C2
C 6180	CHIP CAP.	220pF	50V	CH	GRM1552C1H221JA01D	K22179713		1-	A	C2
C 6181	CHIP CAP.	220pF	50V	CH	GRM1552C1H221JA01D	K22179713		1-	A	C2
C 6182	CHIP CAP.	220pF	50V	CH	GRM1552C1H221JA01D	K22179713		1-	A	C2
C 6183	CHIP CAP.	220pF	50V	CH	GRM1552C1H221JA01D	K22179713		1-	A	C2
C 6185	CHIP CAP.	100pF	50V	CH	GRM1552C1H101JA01D	K22178236		1-	A	B2
C 6186	CHIP CAP.	0.1uF	50V	X7R	GRM155R71H104KE14D	K22178872		1-	A	B2
C 6187	CHIP CAP.	22uF	6.3V	B	GRM21BB30J226ME38L	K22080060		1-	A	B2
C 6188	CHIP CAP.	0.1uF	50V	X7R	GRM155R71H104KE14D	K22178872		1-	B	e3
C 6189	CHIP CAP.	10uF	10V	B	GRM188B31A106ME69D	K22104810		1-	B	e3
C 6190	CHIP CAP.	0.1uF	50V	X7R	GRM155R71H104KE14D	K22178872		1-	B	e3
C 6191	CHIP TA.CAP.	22uF	4V		TMCP0G226MTRF	K78060047		1-	B	e2
C 6195	CHIP CAP.	1uF	25V	X5R	GRM155R61E105KE11D	K22149010		1-	B	f2
C 6196	CHIP CAP.	0.0068uF	50V	X7R	GRM155R71H682KA88D	K22178844		1-	B	f2
C 6197	CHIP CAP.	0.1uF	50V	X7R	GRM155R71H104KE14D	K22178872		1-	B	f2
C 6198	CHIP CAP.	1uF	25V	X5R	GRM155R61E105KE11D	K22149010		1-	B	f2
C 6200	CHIP CAP.	10uF	10V	B	GRM188B31A106ME69D	K22104810		1-	B	f2
C 6201	CHIP TA.CAP.	220uF	4V		TMCMBOG227MTRF	K78060052		1-	B	f2
C 6202	CHIP TA.CAP.	220uF	4V		TMCMBOG227MTRF	K78060052		1-	B	f2
C 6203	CHIP CAP.	0.1uF	50V	X7R	GRM155R71H104KE14D	K22178872		1-	A	E3
C 6204	CHIP CAP.	4.7uF	6.3V	B	JMK107BJ475MA-T	K22084803		1-	A	E3
C 6205	CHIP CAP.	0.1uF	50V	X7R	GRM155R71H104KE14D	K22178872		1-	A	D3
C 6206	CHIP CAP.	4.7uF	6.3V	B	JMK107BJ475MA-T	K22084803		1-	A	D3
C 6207	CHIP CAP.	0.1uF	50V	X7R	GRM155R71H104KE14D	K22178872		1-	A	E3
C 6208	CHIP CAP.	0.1uF	50V	X7R	GRM155R71H104KE14D	K22178872		1-	A	E3
C 6209	CHIP CAP.	0.1uF	50V	X7R	GRM155R71H104KE14D	K22178872		1-	A	E3
C 6210	CHIP TA.CAP.	22uF	4V		TMCP0G226MTRF	K78060047		1-	B	f3
C 6211	CHIP CAP.	0.1uF	50V	X7R	GRM155R71H104KE14D	K22178872		1-	B	f3
C 6212	CHIP CAP.	0.1uF	50V	X7R	GRM155R71H104KE14D	K22178872		1-	B	f3
C 6213	CHIP CAP.	0.1uF	50V	X7R	GRM155R71H104KE14D	K22178872		1-	B	f3
C 6214	CHIP TA.CAP.	22uF	4V		TMCP0G226MTRF	K78060047		1-	B	f3
C 6215	CHIP CAP.	0.1uF	50V	X7R	GRM155R71H104KE14D	K22178872		1-	B	f3
C 6216	CHIP CAP.	0.1uF	50V	X7R	GRM155R71H104KE14D	K22178872		1-	B	f3
C 6217	CHIP TA.CAP.	10uF	6.3V		TMCP0J106MTRF	K78080055		1-	B	f3
C 6218	CHIP CAP.	0.1uF	50V	X7R	GRM155R71H104KE14D	K22178872		1-	B	f3
C 6219	CHIP CAP.	0.1uF	50V	X7R	GRM155R71H104KE14D	K22178872		1-	B	f3
C 6220	CHIP CAP.	0.0022uF	50V	B	GRM155B11H222KA01D	K22178813		1-	B	f2
C 6221	CHIP CAP.	0.0022uF	50V	B	GRM155B11H222KA01D	K22178813		1-	B	f2
C 6224	CHIP CAP.	0.1uF	50V	X7R	GRM155R71H104KE14D	K22178872		1-	B	f2
C 6225	CHIP CAP.	0.0068uF	50V	X7R	GRM155R71H682KA88D	K22178844		1-	B	f2
C 6226	CHIP CAP.	0.001uF	50V	C0G	GRM1555C1H102JA01D	K22179756		1-	A	D3
C 6227	CHIP CAP.	0.001uF	50V	C0G	GRM1555C1H102JA01D	K22179756		1-	A	D3
C 6228	CHIP CAP.	0.1uF	50V	X7R	GRM155R71H104KE14D	K22178872		1-	A	D2
C 6229	CHIP CAP.	0.1uF	50V	X7R	GRM155R71H104KE14D	K22178872		1-	A	E2

DISPLAY Unit

Parts List

REF	DESCRIPTION	VALUE	V/W	TOL.	MFR'S DESIG	YAESU P/N	VERS.	LOT	SIDE	LAY ADR
C 6230	CHIP CAP.	0.1uF	50V	X7R	GRM155R71H104KE14D	K22178872		1-	A	D3
C 6231	CHIP CAP.	0.01uF	50V	X7R	GRM155R71H103KA88D	K22178848		1-	A	D3
C 6232	CHIP CAP.	0.01uF	50V	X7R	GRM155R71H103KA88D	K22178848		1-	A	D3
C 6233	CHIP CAP.	22uF	6.3V	B	GRM21BB30J226ME38L	K22080806		1-	A	D2
C 6234	CHIP CAP.	4.7uF	6.3V	B	JMK107BJ475MA-T	K22084803		1-	A	E2
C 6235	CHIP CAP.	4.7uF	6.3V	B	JMK107BJ475MA-T	K22084803		1-	A	D3
C 6236	CHIP CAP.	0.1uF	50V	X7R	GRM155R71H104KE14D	K22178872		1-	A	D3
C 6237	CHIP CAP.	0.1uF	50V	X7R	GRM155R71H104KE14D	K22178872		1-	A	D3
C 6238	CHIP CAP.	22uF	6.3V	B	GRM21BB30J226ME38L	K22080806		1-	A	D3
C 6239	CHIP CAP.	22uF	6.3V	B	GRM21BB30J226ME38L	K22080806		1-	A	D3
C 6240	CHIP CAP.	4.7uF	6.3V	B	JMK107BJ475MA-T	K22084803		1-	B	d3
C 6241	CHIP CAP.	4.7uF	6.3V	B	JMK107BJ475MA-T	K22084803		1-	A	D2
C 6242	CHIP CAP.	4.7uF	6.3V	B	JMK107BJ475MA-T	K22084803		1-	A	D3
C 6243	CHIP CAP.	0.1uF	50V	X7R	GRM155R71H104KE14D	K22178872		1-	A	E3
C 6244	CHIP CAP.	4.7uF	6.3V	B	JMK107BJ475MA-T	K22084803		1-	A	E3
C 6245	CHIP CAP.	0.1uF	50V	X7R	GRM155R71H104KE14D	K22178872		1-	A	D2
C 6246	CHIP CAP.	0.1uF	50V	X7R	GRM155R71H104KE14D	K22178872		1-	A	D3
C 6247	CHIP CAP.	0.1uF	50V	X7R	GRM155R71H104KE14D	K22178872		1-	A	E3
C 6248	CHIP CAP.	4.7uF	6.3V	B	JMK107BJ475MA-T	K22084803		1-	A	D3
C 6249	CHIP CAP.	22uF	6.3V	B	GRM21BB30J226ME38L	K22080806		1-	A	E3
C 6250	CHIP CAP.	0.1uF	50V	X7R	GRM155R71H104KE14D	K22178872		1-	A	D3
C 6251	CHIP CAP.	22uF	6.3V	B	GRM21BB30J226ME38L	K22080806		1-	B	c2
C 6252	CHIP CAP.	22uF	6.3V	B	GRM21BB30J226ME38L	K22080806		1-	A	D4
C 6253	CHIP CAP.	0.1uF	50V	X7R	GRM155R71H104KE14D	K22178872		1-	A	E2
C 6254	CHIP CAP.	22uF	6.3V	B	GRM21BB30J226ME38L	K22080806		1-	A	E3
C 6255	CHIP CAP.	4.7uF	6.3V	B	JMK107BJ475MA-T	K22084803		1-	A	D3
C 6256	CHIP CAP.	0.1uF	50V	X7R	GRM155R71H104KE14D	K22178872		1-	A	E3
C 6257	CHIP CAP.	0.1uF	50V	X7R	GRM155R71H104KE14D	K22178872		1-	A	D3
C 6258	CHIP CAP.	0.1uF	50V	X7R	GRM155R71H104KE14D	K22178872		1-	A	D2
C 6259	CHIP CAP.	0.1uF	50V	X7R	GRM155R71H104KE14D	K22178872		1-	A	E2
C 6260	CHIP CAP.	0.1uF	50V	X7R	GRM155R71H104KE14D	K22178872		1-	A	E2
C 6261	CHIP CAP.	0.1uF	50V	X7R	GRM155R71H104KE14D	K22178872		1-	A	D2
C 6262	CHIP CAP.	0.1uF	50V	X7R	GRM155R71H104KE14D	K22178872		1-	A	E3
C 6263	CHIP CAP.	0.1uF	50V	X7R	GRM155R71H104KE14D	K22178872		1-	A	D3
C 6264	CHIP CAP.	0.1uF	50V	X7R	GRM155R71H104KE14D	K22178872		1-	A	D3
C 6266	CHIP CAP.	0.1uF	50V	X7R	GRM155R71H104KE14D	K22178872		1-	A	D3
C 6267	CHIP CAP.	0.01uF	50V	X7R	GRM155R71H103KA88D	K22178848		1-	A	F2
C 6268	CHIP TA.CAP.	10uF	16V		TMCMA1C106MTRF	K78120077		1-	B	b3
C 6269	CHIP TA.CAP.	10uF	16V		TMCMA1C106MTRF	K78120077		1-	B	b3
C 6270	CHIP CAP.	0.1uF	50V	X7R	GRM155R71H104KE14D	K22178872		1-	B	b3
C 6272	CHIP CAP.	5pF	50V	CH	GRM1552C1H5R0CA01D	K22178207		1-	A	D2
C 6273	CHIP CAP.	1uF	25V	X5R	GRM155R61E105KE11D	K22149010		1-	A	B3
C 6274	CHIP CAP.	0.001uF	50V	C0G	GRM1555C1H102JA01D	K22179756		1-	A	B4
C 6275	CHIP CAP.	0.1uF	50V	X7R	GRM155R71H104KE14D	K22178872		1-	A	B4
C 6277	CHIP CAP.	22uF	6.3V	B	GRM21BB30J226ME38L	K22080806		1-	B	b3
C 6278	CHIP TA.CAP.	100uF	10V		TAJD107M010RNJ	K78100113		1-	B	a3
C 6280	CHIP CAP.	0.1uF	50V	X7R	GRM155R71H104KE14D	K22178872		1-	B	b3
C 6282	CHIP CAP.	22uF	6.3V	B	GRM21BB30J226ME38L	K22080806		1-	B	a3
C 6283	CHIP TA.CAP.	100uF	10V		TAJD107M010RNJ	K78100113		1-	B	a3
C 6284	CHIP CAP.	100pF	50V	CH	GRM1552C1H101JA01D	K22178236		1-	B	b3
C 6285	CHIP CAP.	0.001uF	50V	B	GRM155B11H102KA01D	K22178809		1-	B	g4
C 6286	CHIP CAP.	0.1uF	50V	X7R	GRM155R71H104KE14D	K22178872		1-	B	f4
C 6287	CHIP TA.CAP.	10uF	10V		TMCMA1A106MTRF	K78100028		1-	B	g4
C 6288	CHIP CAP.	0.001uF	50V	B	GRM155B11H102KA01D	K22178809		1-	B	g4
C 6289	CHIP CAP.	0.001uF	50V	B	GRM155B11H102KA01D	K22178809		1-	B	g4
C 6290	CHIP CAP.	100pF	50V	CH	GRM1552C1H101JA01D	K22178236		1-	B	d2
C 6291	CHIP CAP.	100pF	50V	CH	GRM1552C1H101JA01D	K22178236		1-	B	d2
C 6292	CHIP CAP.	0.001uF	50V	C0G	GRM1555C1H102JA01D	K22179756		1-	B	a3
C 6293	CHIP CAP.	0.1uF	50V	X7R	GRM155R71H104KE14D	K22178872		1-	B	a3
C 6294	CHIP CAP.	0.001uF	50V	C0G	GRM1555C1H102JA01D	K22179756		1-	B	a3
C 6295	CHIP CAP.	0.1uF	50V	X7R	GRM155R71H104KE14D	K22178872		1-	B	a3
C 6296	CHIP CAP.	0.01uF	50V	X7R	GRM155R71H103KA88D	K22178848		1-	A	G3
C 6298	CHIP CAP.	0.1uF	50V	X7R	GRM155R71H104KE14D	K22178872		1-	A	D2
C 6304	CHIP CAP.	0.001uF	50V	B	GRM155B11H102KA01D	K22178809		1-	B	g3
C 6305	CHIP CAP.	0.001uF	50V	B	GRM155B11H102KA01D	K22178809		1-	B	g4
C 6306	CHIP CAP.	0.001uF	50V	B	GRM155B11H102KA01D	K22178809		1-	B	g4
C 6320	CHIP CAP.	22uF	6.3V	B	GRM21BB30J226ME38L	K22080806		1-	A	B2
C 6321	CHIP CAP.	15pF	50V	CH	GRM1552C1H150JA01D	K22178216		1-	B	d3
C 6322	CHIP CAP.	15pF	50V	CH	GRM1552C1H150JA01D	K22178216		1-	B	d3
C 6325	CHIP CAP.	0.001uF	50V	C0G	GRM1555C1H102JA01D	K22179756		1-	B	e1
C 6326	AL.ELECTRO.CAP.	47uF	35V		EEE1VA470WP	K48160005		1-	B	f1
C 6327	CHIP CAP.	0.1uF	50V	X7R	GRM155R71H104KE14D	K22178872		1-	A	C3
C 6328	CHIP CAP.	0.1uF	50V	X7R	GRM155R71H104KE14D	K22178872		1-	A	C3
C 6330	CHIP CAP.	0.001uF	50V	C0G	GRM1555C1H102JA01D	K22179756		1-	A	C3
C 6331	CHIP CAP.	0.001uF	50V	C0G	GRM1555C1H102JA01D	K22179756		1-	A	C3

DISPLAY Unit

Parts List

REF	DESCRIPTION	VALUE	V/W	TOL.	MFR'S DESIG	YAESU P/N	VERS.	LOT	SIDE	LAY ADR
C 6332	AL.ELECTRO.CAP.	470uF	16V		16CE470BS	K48120035		1-	B	a1
C 6333	CHIP CAP.	0.001uF	50V	C0G	GRM1555C1H102JA01D	K22179756		1-	B	a4
C 6334	CHIP CAP.	0.001uF	50V	C0G	GRM1555C1H102JA01D	K22179756		1-	B	a4
C 6335	CHIP CAP.	0.1uF	50V	X7R	GRM155R71H104KE14D	K22178872		1-	B	a4
C 6337	CHIP CAP.	0.01uF	50V	X7R	GRM155R71H103KA88D	K22178848		1-	A	G2
C 6338	CHIP CAP.	0.1uF	50V	X7R	GRM155R71H104KE14D	K22178872		1-	B	d1
C 6339	CHIP CAP.	0.1uF	50V	X7R	GRM155R71H104KE14D	K22178872		1-	B	d1
C 6340	AL.ELECTRO.CAP.	100uF	25V		UWT1E101MCL1GS	K48140032		1-	B	e1
C 6341	AL.ELECTRO.CAP.	470uF	25V		EMVE250ARA471MJA0G	K48140026		1-	B	e1
C 6342	AL.ELECTRO.CAP.	470uF	25V		EMVE250ARA471MJA0G	K48140026		1-	B	e1
C 6343	CHIP TA.CAP.	10uF	16V		TMCMA1C106MTRF	K78120077		1-	B	b4
C 6344	CHIP CAP.	47pF	50V	CH	GRM1552C1H470JA01D	K22178228		1-	B	f3
C 6345	CHIP CAP.	1uF	25V	X5R	GRM155R61E105KE11D	K22149010		1-	A	F3
C 6346	CHIP CAP.	1uF	25V	X5R	GRM155R61E105KE11D	K22149010		1-	A	F2
C 6347	CHIP CAP.	0.01uF	50V	X7R	GRM155R71H103KA88D	K22178848		1-	A	F3
D 6002	DIODE				DAN202U T106	G2070162		1-	A	C1
D 6003	DIODE				DAN202U T106	G2070162		1-	A	D1
D 6004	DIODE				UDZS TE-17 20B	G2071016		1-	A	C1
D 6005	DIODE				UDZS TE-17 20B	G2071016		1-	A	C1
D 6006	DIODE				DAN202U T106	G2070162		1-	A	C1
D 6007	DIODE				BAS316	G2070716		1-	A	B2
D 6008	DIODE				BAS316	G2070716		1-	A	C1
D 6011	DIODE				BAS316	G2070716		1-	B	c1
D 6013	DIODE				BAS316	G2070716		1-	B	c1
D 6014	DIODE				RB060L-40 TE25	G2070744		1-	B	a2
D 6015	DIODE				BAS316	G2070716		1-	A	F3
D 6016	DIODE				RB751G-40T2R	G2071066		1-	A	D1
D 6017	DIODE				RSX101VA-30TR	G2070984		1-	A	C3
D 6018	DIODE				RB051L-40TE25	G2070718		1-	B	e1
D 6020	LED				19-213/S2C-AP1Q2B/3T	G2071558		1-	A	A2
FB6001	FERRITE BEADS				BLM18PG221SN1D	L9190181		1-	B	e1
FB6002	FERRITE BEADS				BLM18PG221SN1D	L9190181		1-	B	e1
FB6004	FERRITE BEADS				BLM18KG260TN1D	L9190216		1-	A	C1
FB6005	FERRITE BEADS				BLM15BD102SN1D	L9190133		1-	B	e2
FB6006	FERRITE BEADS				BLM15BD102SN1D	L9190133		1-	B	e2
FB6007	FERRITE BEADS				BLM15BD102SN1D	L9190133		1-	B	e2
FB6008	FERRITE BEADS				BLM15BD102SN1D	L9190133		1-	B	e2
FB6009	FERRITE BEADS				BLM15BD102SN1D	L9190133		1-	B	e2
FB6010	FERRITE BEADS				BLM15BD102SN1D	L9190133		1-	B	e2
FB6011	FERRITE BEADS				BLM15BD102SN1D	L9190133		1-	B	e2
FB6012	FERRITE BEADS				BLM15AG121SN1D	L1690843		1-	B	e2
FB6016	FERRITE BEADS				BLM15AG121SN1D	L1690843		1-	B	d2
FB6017	FERRITE BEADS				BLM15BD102SN1D	L9190133		1-	B	e2
FB6018	FERRITE BEADS				BLM15BD102SN1D	L9190133		1-	B	e2
FB6019	FERRITE BEADS				BLM15BD102SN1D	L9190133		1-	B	e2
FB6020	FERRITE BEADS				BLM15BD102SN1D	L9190133		1-	B	e2
FB6021	FERRITE BEADS				BLM15BD102SN1D	L9190133		1-	B	e2
FB6022	FERRITE BEADS				BLM15BD102SN1D	L9190133		1-	B	e2
FB6023	FERRITE BEADS				BLM15BD102SN1D	L9190133		1-	B	e2
FB6024	FERRITE BEADS				BLM15BD102SN1D	L9190133		1-	B	e2
FB6025	FERRITE BEADS				BLM15BD102SN1D	L9190133		1-	B	e2
FB6026	FERRITE BEADS				BLM15BD102SN1D	L9190133		1-	B	e2
FB6027	FERRITE BEADS				BLM15BD102SN1D	L9190133		1-	B	e2
FB6028	FERRITE BEADS				BLM15BD102SN1D	L9190133		1-	B	e2
FB6029	FERRITE BEADS				BLM15BD102SN1D	L9190133		1-	B	e2
FB6030	FERRITE BEADS				BLM15BD102SN1D	L9190133		1-	B	e2
FB6031	FERRITE BEADS				BLM15BD102SN1D	L9190133		1-	B	e2
FB6032	FERRITE BEADS				BLM15BD102SN1D	L9190133		1-	B	e2
FB6033	FERRITE BEADS				BLM15BD102SN1D	L9190133		1-	B	e2
FB6034	FERRITE BEADS				BLM18PG221SN1D	L9190181		1-	B	d3
FB6035	FERRITE BEADS				BLM18PG221SN1D	L9190181		1-	A	D3
FB6036	FERRITE BEADS				BLM18PG221SN1D	L9190181		1-	A	E3
FB6037	FERRITE BEADS				BLM18PG221SN1D	L9190181		1-	B	d3
FB6038	FERRITE BEADS				BLM18PG221SN1D	L9190181		1-	A	D3
FB6039	FERRITE BEADS				BLM18KG260TN1D	L9190216		1-	A	F3
FB6040	FERRITE BEADS				BLM18KG260TN1D	L9190216		1-	B	b3
FB6041	FERRITE BEADS				BLM18PG221SN1D	L9190181		1-	A	B3
FB6042	FERRITE BEADS				BLM18KG260TN1D	L9190216		1-	B	f3
FB6043	FERRITE BEADS				BLM18KG260TN1D	L9190216		1-	B	f3
FB6044	FERRITE BEADS				BLM18AG601SN1D	L9190111		1-	B	g4
J 6001	CONNECTOR				30FLT-SM2-TB(LF)(SN)(M)	P1091142		1-	B	d1
J 6002	CONNECTOR				30FLT-SM2-TB(LF)(SN)(M)	P1091142		1-	B	c1
J 6003	CONNECTOR				30FLT-SM2-TB(LF)(SN)(M)	P1091142		1-	B	b1
J 6004	CONNECTOR				FH12A-40S-0.5SH(55)	P1091475		1-	B	e2
J 6006	CONNECTOR				20FLT-SM2-TB(LF)(SN)	P1091247		1-	B	d2

DISPLAY Unit

Parts List

REF	DESCRIPTION	VALUE	V/W	TOL.	MFR'S DESIG	YAESU P/N	VERS.	LOT	SIDE	LAY ADR
J 6007	CONNECTOR				PJ30460-GPBOAS003	P1091686		1-	A	A3
J 6008	CONNECTOR				R41-2509R	P1091243		1-	A	A4
J 6009	CONNECTOR				40FLT-SM2-TB(LF)(SN)(M)	P1091251		1-	B	a3
J 6010	CONNECTOR				12FLT-SM2-TB(LF)(SN)	P1091198		1-	B	f3
J 6012	CONNECTOR				SB20-08WS	P0090615		1-	B	f3
J 6013	CONNECTOR				06FLT-SM2-TB(LF)(SN)	P1091255		1-	B	a1
J 6014	CONNECTOR				08FLT-SM2-TB(LF)(SN)	P1091201		1-	B	d3
L 6002	M.RFC	10uH			CDRH74-100MC	L1690599		1-	B	a2
Q 6001	TRANSISTOR				DTC114YUA T106	G3070298		1-	A	C1
Q 6002	FET				RRR030P03	G3070448		1-	A	C1
Q 6003	TRANSISTOR				DTC114YUA T106	G3070298		1-	A	C1
Q 6004	TRANSISTOR				2SA1576A T106 R	G3115768R		1-	A	D1
Q 6005	IC				NJM2370U33-TE1	G1094564		1-	A	D1
Q 6006	TRANSISTOR				2SA1576A T106 R	G3115768R		1-	A	B1
Q 6007	IC				SN74LVC2G08DCTR	G1094341		1-	A	C1
Q 6008	IC				CD4093BPWR	G1094093		1-	A	F1
Q 6009	IC				R7S721001VCSBG	G1095582		1-	B	c3
Q 6010	IC				TC74VHC123AFT(TAPE)	G1094003		1-	B	d1
Q 6010	IC				74VHC123AFT(BE)	G1094003A		5-	B	d1
Q 6011	FET				RRR030P03	G3070448		1-	B	b2
Q 6012	IC				XC9103D093MR-G	G1094967		1-	B	b2
Q 6013	FET				2SK3541 T2L	G3835417		1-	B	b2
Q 6014	IC				TPS3808G12DRVR	G1095176		1-	B	c2
Q 6015	FET				RTR025N05TL	G3070436		1-	B	a2
Q 6016	TRANSISTOR				DTC114YUA T106	G3070298		1-	A	C2
Q 6017	TRANSISTOR				DTC114YUA T106	G3070298		1-	A	C2
Q 6018	TRANSISTOR				DTC114YUA T106	G3070298		1-	B	b1
Q 6019	TRANSISTOR				DTC114YUA T106	G3070298		1-	A	C1
Q 6020	TRANSISTOR				DTC114YUA T106	G3070298		1-	A	C2
Q 6021	TRANSISTOR				DTC114YUA T106	G3070298		1-	B	b1
Q 6022	TRANSISTOR				DTC114YUA T106	G3070298		1-	B	b1
Q 6023	IC				TSC2003IPWR	G1095676		1-	A	B2
Q 6024	IC				CD4030BPWR	G1094092		1-	A	F1
Q 6025	IC				W25Q128JVFIQ-YR2340	G1095749		1-	A	E1
Q 6026	IC				XC6118N44BMR-G	G1094972		1-	B	c1
Q 6028	TRANSISTOR				DTC114YUA T106	G3070298		1-	A	B2
Q 6029	FET				RRR030P03	G3070448		1-	A	B2
Q 6030	IC				TLV320AIC3204IRHBR	G1095037		1-	B	f3
Q 6032	IC				TLV1117LV12DCYR	G1095763		1-	A	F3
Q 6033	IC				CD4093BPWR	G1094093		1-	A	F2
Q 6034	TRANSISTOR				DTC114YUA T106	G3070298		1-	A	F3
Q 6035	IC				S-35190A-T8T1G	G1094356		1-	A	D2
Q 6036	FET				RRR030P03	G3070448		1-	A	F3
Q 6037	FET				RTM002P02(TAPE)	G3070347		1-	A	B4
Q 6038	TRANSISTOR				DTC114YUA T106	G3070298		1-	A	B3
Q 6039	IC				NJM2732RB1-TE1	G1095540		1-	B	f2
Q 6040	IC				LM317BD2TR4G	G1095330		1-	A	C3
Q 6041	IC				BA05FP-BZE2	G1093209		1-	B	a4
Q 6042	IC				BA033CC0FP-BZE2	G1094077		1-	B	b3
Q 6043	IC				SN74HCT04PWR	G1094484		1-	A	G2
Q 6044	IC				CD4030BPWR	G1094092		1-	A	F2
R 6002	CHIP RES.	100k	1/16W	5%	RMC1/16S 104JTH	J24189049		1-	B	c1
R 6003	CHIP RES.	100k	1/16W	5%	RMC1/16S 104JTH	J24189049		1-	B	c1
R 6004	CHIP RES.	0	1/16W	5%	RMC1/16S JPTH	J24189070		1-	B	c1
R 6005	CHIP RES.	0	1/16W	5%	RMC1/16S JPTH	J24189070		1-	B	c1
R 6006	CHIP RES.	0	1/16W	5%	RMC1/16S JPTH	J24189070		1-	B	c1
R 6007	CHIP RES.	0	1/16W	5%	RMC1/16S JPTH	J24189070		1-	B	c1
R 6008	CHIP RES.	0	1/16W	5%	RMC1/16S JPTH	J24189070		1-	B	c1
R 6009	CHIP RES.	0	1/16W	5%	RMC1/16S JPTH	J24189070		1-	B	c1
R 6010	CHIP RES.	100k	1/16W	5%	RMC1/16S 104JTH	J24189049		1-	A	F1
R 6011	CHIP RES.	100k	1/16W	5%	RMC1/16S 104JTH	J24189049		1-	A	F1
R 6012	CHIP RES.	100k	1/16W	5%	RMC1/16S 104JTH	J24189049		1-	A	F1
R 6013	CHIP RES.	10k	1/16W	5%	RMC1/16S 103JTH	J24189037		1-	A	F1
R 6015	CHIP RES.	22k	1/16W	5%	RMC1/16S 223JTH	J24189041		1-	B	b1
R 6016	CHIP RES.	22k	1/16W	5%	RMC1/16S 223JTH	J24189041		1-	B	b2
R 6017	CHIP RES.	22k	1/16W	5%	RMC1/16S 223JTH	J24189041		1-	B	a1
R 6018	CHIP RES.	0	1/16W	5%	RMC1/16S JPTH	J24189070		1-	A	C1
R 6019	CHIP RES.	47k	1/16W	5%	RMC1/16S 473JTH	J24189045		1-	A	C1
R 6020	CHIP RES.	1k	1/16W	5%	RMC1/16S 102JTH	J24189025		1-	A	C1
R 6021	CHIP RES.	4.7k	1/16W	5%	RMC1/16S 472JTH	J24189033		1-	A	B1
R 6022	CHIP RES.	10k	1/16W	5%	RMC1/16S 103JTH	J24189037		1-	A	C1
R 6023	CHIP RES.	22k	1/16W	5%	RMC1/16S 223JTH	J24189041		1-	A	C1
R 6024	CHIP RES.	100k	1/16W	5%	RMC1/16S 104JTH	J24189049		1-	A	C1
R 6025	CHIP RES.	10k	1/16W	5%	RMC1/16S 103JTH	J24189037		1-	A	G3
R 6026	CHIP RES.	22	1/16W	5%	RMC1/16S 220JTH	J24189005		1-	A	E2

DISPLAY Unit

Parts List

REF	DESCRIPTION	VALUE	V/W	TOL.	MFR'S DESIG	YAESU P/N	VERS.	LOT	SIDE	LAY ADR
R 6027	CHIP RES.	1k	1/16W	5%	RMC1/16S 102JTH	J24189025		1-	B	b1
R 6028	CHIP RES.	1k	1/16W	5%	RMC1/16S 102JTH	J24189025		1-	B	c2
R 6029	CHIP RES.	1k	1/16W	5%	RMC1/16S 102JTH	J24189025		1-	B	c2
R 6030	CHIP RES.	1k	1/16W	5%	RMC1/16S 102JTH	J24189025		1-	B	c2
R 6031	CHIP RES.	100k	1/16W	5%	RMC1/16S 104JTH	J24189049		1-	A	E3
R 6032	CHIP RES.	100k	1/16W	5%	RMC1/16S 104JTH	J24189049		1-	A	E3
R 6033	CHIP RES.	100k	1/16W	5%	RMC1/16S 104JTH	J24189049		1-	A	E3
R 6034	CHIP RES.	100k	1/16W	5%	RMC1/16S 104JTH	J24189049		1-	B	c3
R 6035	CHIP RES.	22	1/16W	5%	RMC1/16S 220JTH	J24189005		1-	A	B3
R 6036	CHIP RES.	100k	1/16W	5%	RMC1/16S 104JTH	J24189049		1-	A	E3
R 6037	CHIP RES.	100k	1/16W	5%	RMC1/16S 104JTH	J24189049		1-	A	E3
R 6038	CHIP RES.	100k	1/16W	5%	RMC1/16S 104JTH	J24189049		1-	B	c3
R 6039	CHIP RES.	100k	1/16W	5%	RMC1/16S 104JTH	J24189049		1-	B	c3
R 6040	CHIP RES.	100k	1/16W	5%	RMC1/16S 104JTH	J24189049		1-	A	E3
R 6041	CHIP RES.	0	1/16W	5%	RMC1/16S JPTH	J24189070		1-	B	b2
R 6042	CHIP RES.	100k	1/16W	5%	RMC1/16S 104JTH	J24189049		1-	A	E3
R 6043	CHIP RES.	100k	1/16W	5%	RMC1/16S 104JTH	J24189049		1-	B	c3
R 6044	CHIP RES.	100k	1/16W	5%	RMC1/16S 104JTH	J24189049		1-	B	c3
R 6045	CHIP RES.	1k	1/16W	5%	RMC1/16S 102JTH	J24189025		1-	B	c3
R 6046	CHIP RES.	100k	1/16W	5%	RMC1/16S 104JTH	J24189049		1-	B	c3
R 6047	CHIP RES.	100k	1/16W	5%	RMC1/16S 104JTH	J24189049		1-	B	c3
R 6048	CHIP RES.	100k	1/16W	5%	RMC1/16S 104JTH	J24189049		1-	B	c3
R 6049	CHIP RES.	100k	1/16W	5%	RMC1/16S 104JTH	J24189049		1-	B	c3
R 6050	CHIP RES.	22	1/16W	5%	RMC1/16S 220JTH	J24189005		1-	B	c3
R 6051	CHIP RES.	22	1/16W	5%	RMC1/16S 220JTH	J24189005		1-	B	c3
R 6052	CHIP RES.	22	1/16W	5%	RMC1/16S 220JTH	J24189005		1-	B	c3
R 6053	CHIP RES.	10k	1/16W	5%	RMC1/16S 103JTH	J24189037		1-	B	c3
R 6055	CHIP RES.	1k	1/16W	5%	RMC1/16S 102JTH	J24189025		1-	A	E3
R 6056	CHIP RES.	22	1/16W	5%	RMC1/16S 220JTH	J24189005		1-	A	C3
R 6057	CHIP RES.	100k	1/16W	5%	RMC1/16S 104JTH	J24189049		1-	B	c3
R 6058	CHIP RES.	22	1/16W	5%	RMC1/16S 220JTH	J24189005		1-	B	b1
R 6059	CHIP RES.	100k	1/16W	5%	RMC1/16S 104JTH	J24189049		1-	B	c4
R 6060	CHIP RES.	22	1/16W	5%	RMC1/16S 220JTH	J24189005		1-	A	D3
R 6061	CHIP RES.	22	1/16W	5%	RMC1/16S 220JTH	J24189005		1-	B	b1
R 6062	CHIP RES.	10k	1/16W	5%	RMC1/16S 103JTH	J24189037		1-	B	d2
R 6065	CHIP RES.	22k	1/16W	5%	RMC1/16S 223JTH	J24189041		1-	A	F2
R 6066	CHIP RES.	470	1/16W	5%	RMC1/16S 471JTH	J24189021		1-	A	B2
R 6067	CHIP RES.	470k	1/16W	5%	RMC1/16S 474JTH	J24189057		1-	A	B1
R 6070	CHIP RES.	4.7k	1/16W	5%	RMC1/16S 472JTH	J24189033		1-	A	E3
R 6071	CHIP RES.	22k	1/16W	5%	RMC1/16S 223JTH	J24189041		1-	A	C1
R 6072	CHIP RES.	1k	1/16W	5%	RMC1/16S 102JTH	J24189025		1-	A	C1
R 6073	CHIP RES.	22	1/16W	5%	RMC1/16S 220JTH	J24189005		1-	B	d2
R 6074	CHIP RES.	100k	1/16W	5%	RMC1/16S 104JTH	J24189049		1-	B	c3
R 6075	CHIP RES.	22	1/16W	5%	RMC1/16S 220JTH	J24189005		1-	B	b1
R 6076	CHIP RES.	22	1/16W	5%	RMC1/16S 220JTH	J24189005		1-	A	E2
R 6077	CHIP RES.	100k	1/16W	5%	RMC1/16S 104JTH	J24189049		1-	B	c3
R 6078	CHIP RES.	10k	1/16W	5%	RMC1/16S 103JTH	J24189037		1-	B	d3
R 6079	CHIP RES.	5.6k	1/16W	1%	RMC1/16SK562FTH	J24189520		1-	A	E2
R 6080	CHIP RES.	5.6k	1/16W	1%	RMC1/16SK562FTH	J24189520		1-	B	c3
R 6084	CHIP RES.	22k	1/16W	5%	RMC1/16S 223JTH	J24189041		1-	B	c1
R 6085	CHIP RES.	0	1/16W	5%	RMC1/16S JPTH	J24189070		1-	B	b2
R 6086	CHIP RES.	10k	1/16W	5%	RMC1/16S 103JTH	J24189037		1-	B	b2
R 6087	CHIP RES.	10k	1/16W	5%	RMC1/16S 103JTH	J24189037		1-	B	d1
R 6088	CHIP RES.	0	1/16W	5%	RMC1/16S JPTH	J24189070		1-	B	d1
R 6089	CHIP RES.	10k	1/16W	5%	RMC1/16S 103JTH	J24189037		1-	B	b2
R 6090	CHIP RES.	10k	1/16W	5%	RMC1/16S 103JTH	J24189037		1-	B	b2
R 6091	CHIP RES.	10k	1/16W	5%	RMC1/16S 103JTH	J24189037		1-	A	E2
R 6092	CHIP RES.	10k	1/16W	5%	RMC1/16S 103JTH	J24189037		1-	B	c2
R 6093	CHIP RES.	10k	1/16W	5%	RMC1/16S 103JTH	J24189037		1-	A	E2
R 6094	CHIP RES.	0	1/16W	5%	RMC1/16S JPTH	J24189070		1-	A	E3
R 6095	CHIP RES.	22k	1/16W	5%	RMC1/16S 223JTH	J24189041		1-	A	E3
R 6097	CHIP RES.	100	1/16W	5%	RMC1/16S 101JTH	J24189013		1-	B	d3
R 6100	CHIP RES.	100k	1/16W	5%	RMC1/16S 104JTH	J24189049		1-	B	d1
R 6101	CHIP RES.	100k	1/16W	5%	RMC1/16S 104JTH	J24189049		1-	B	d1
R 6102	CHIP RES.	0	1/16W	5%	RMC1/16S JPTH	J24189070		1-	B	c3
R 6103	CHIP RES.	470	1/16W	5%	RMC1/16S 471JTH	J24189021		1-	B	d3
R 6105	CHIP RES.	47k	1/16W	5%	RMC1/16S 473JTH	J24189045		1-	A	C3
R 6109	CHIP RES.	10	1/16W	5%	RMC1/16S 100JTH	J24189001		1-	A	B2
R 6110	CHIP RES.	10	1/16W	5%	RMC1/16S 100JTH	J24189001		1-	A	B2
R 6111	CHIP RES.	10	1/16W	5%	RMC1/16S 100JTH	J24189001		1-	A	B2
R 6112	CHIP RES.	10	1/16W	5%	RMC1/16S 100JTH	J24189001		1-	A	B2
R 6118	CHIP RES.	0	1/16W	5%	RMC1/16S JPTH	J24189070		1-	B	a4
R 6119	CHIP RES.	100k	1/16W	5%	RMC1/16S 104JTH	J24189049		1-	B	c2
R 6120	CHIP RES.	100k	1/16W	5%	RMC1/16S 104JTH	J24189049		1-	B	c2
R 6121	CHIP RES.	0.1	1/4W	5%	RCC16R100JTP	J24249006		1-	B	a2

DISPLAY Unit

Parts List

REF	DESCRIPTION	VALUE	V/W	TOL.	MFR'S DESIG	YAESU P/N	VERS.	LOT	SIDE	LAY ADR
R 6123	CHIP RES.	6.8	1W	5%	RMC1 6R8JTE	J24305689		1-	A	F2
R 6124	CHIP RES.	10k	1/16W	5%	RMC1/16S 103JTH	J24189037		1-	B	c2
R 6130	CHIP RES.	10k	1/16W	5%	RMC1/16S 103JTH	J24189037		1-	B	c3
R 6131	CHIP RES.	10k	1/16W	5%	RMC1/16S 103JTH	J24189037		1-	B	c3
R 6132	CHIP RES.	100k	1/16W	5%	RMC1/16S 104JTH	J24189049		1-	B	c4
R 6133	CHIP RES.	100k	1/16W	5%	RMC1/16S 104JTH	J24189049		1-	B	d3
R 6134	CHIP RES.	100k	1/16W	5%	RMC1/16S 104JTH	J24189049		1-	B	d3
R 6135	CHIP RES.	100k	1/16W	5%	RMC1/16S 104JTH	J24189049		1-	B	d4
R 6136	CHIP RES.	100k	1/16W	5%	RMC1/16S 104JTH	J24189049		1-	B	d3
R 6137	CHIP RES.	100k	1/16W	5%	RMC1/16S 104JTH	J24189049		1-	A	D3
R 6138	CHIP RES.	1k	1/16W	5%	RMC1/16S 102JTH	J24189025		1-	A	D3
R 6139	CHIP RES.	100k	1/16W	5%	RMC1/16S 104JTH	J24189049		1-	A	D3
R 6140	CHIP RES.	100k	1/16W	5%	RMC1/16S 104JTH	J24189049		1-	A	D2
R 6141	CHIP RES.	100k	1/16W	5%	RMC1/16S 104JTH	J24189049		1-	A	D2
R 6142	CHIP RES.	10k	1/16W	5%	RMC1/16S 103JTH	J24189037		1-	B	d2
R 6143	CHIP RES.	100k	1/16W	5%	RMC1/16S 104JTH	J24189049		1-	A	D2
R 6144	CHIP RES.	10k	1/16W	5%	RMC1/16S 103JTH	J24189037		1-	B	c3
R 6145	CHIP RES.	22	1/16W	5%	RMC1/16S 220JTH	J24189005		1-	B	c3
R 6146	CHIP RES.	1k	1/16W	5%	RMC1/16S 102JTH	J24189025		1-	B	c3
R 6147	CHIP RES.	10k	1/16W	5%	RMC1/16S 103JTH	J24189037		1-	B	c3
R 6148	CHIP RES.	10k	1/16W	5%	RMC1/16S 103JTH	J24189037		1-	B	d3
R 6151	CHIP RES.	10k	1/16W	5%	RMC1/16S 103JTH	J24189037		1-	B	d3
R 6152	CHIP RES.	10k	1/16W	5%	RMC1/16S 103JTH	J24189037		1-	B	d3
R 6153	CHIP RES.	0	1/16W	5%	RMC1/16S JPTH	J24189070		1-	B	d3
R 6154	CHIP RES.	1.2k	1/16W	5%	RMC1/16S 122JTH	J24189026		1-	A	B2
R 6155	CHIP RES.	1.2k	1/16W	5%	RMC1/16S 122JTH	J24189026		1-	A	B2
R 6156	CHIP RES.	47k	1/16W	5%	RMC1/16S 473JTH	J24189045		1-	A	B2
R 6157	CHIP RES.	10k	1/16W	5%	RMC1/16S 103JTH	J24189037		1-	B	c1
R 6160	CHIP RES.	1M	1/16W	5%	RMC1/16S 105JTH	J24189061		1-	B	c1
R 6161	CHIP RES.	10k	1/16W	5%	RMC1/16S 103JTH	J24189037		1-	B	c2
R 6162	CHIP RES.	0	1/16W	5%	RMC1/16S JPTH	J24189070		1-	B	c2
R 6163	CHIP RES.	22k	1/16W	5%	RMC1/16S 223JTH	J24189041		1-	A	E1
R 6164	CHIP RES.	0	1/16W	5%	RMC1/16S JPTH	J24189070		1-	B	c1
R 6165	CHIP RES.	0	1/16W	5%	RMC1/16S JPTH	J24189070		1-	B	c2
R 6166	CHIP RES.	0	1/16W	5%	RMC1/16S JPTH	J24189070		1-	B	c1
R 6167	CHIP RES.	22k	1/16W	5%	RMC1/16S 223JTH	J24189041		1-	A	E1
R 6168	CHIP RES.	22k	1/16W	5%	RMC1/16S 223JTH	J24189041		1-	A	E1
R 6169	CHIP RES.	22k	1/16W	5%	RMC1/16S 223JTH	J24189041		1-	A	E1
R 6170	CHIP RES.	22k	1/16W	5%	RMC1/16S 223JTH	J24189041		1-	A	E1
R 6171	CHIP RES.	4.7k	1/16W	5%	RMC1/16S 472JTH	J24189033		1-	A	D3
R 6172	CHIP RES.	4.7k	1/16W	5%	RMC1/16S 472JTH	J24189033		1-	A	D3
R 6173	CHIP RES.	22k	1/16W	5%	RMC1/16S 223JTH	J24189041		1-	A	E1
R 6174	CHIP RES.	0	1/16W	5%	RMC1/16S JPTH	J24189070		1-	B	c1
R 6175	CHIP RES.	0	1/16W	5%	RMC1/16S JPTH	J24189070		1-	B	c1
R 6176	CHIP RES.	0	1/16W	5%	RMC1/16S JPTH	J24189070		1-	B	c1
R 6177	CHIP RES.	22	1/16W	5%	RMC1/16S 220JTH	J24189005		1-	A	D2
R 6178	CHIP RES.	22	1/16W	5%	RMC1/16S 220JTH	J24189005		1-	A	D2
R 6179	CHIP RES.	22	1/16W	5%	RMC1/16S 220JTH	J24189005		1-	B	c2
R 6180	CHIP RES.	22	1/16W	5%	RMC1/16S 220JTH	J24189005		1-	B	c2
R 6181	CHIP RES.	22	1/16W	5%	RMC1/16S 220JTH	J24189005		1-	A	D2
R 6182	CHIP RES.	22	1/16W	5%	RMC1/16S 220JTH	J24189005		1-	A	C2
R 6183	CHIP RES.	22	1/16W	5%	RMC1/16S 220JTH	J24189005		1-	A	C2
R 6184	CHIP RES.	1k	1/16W	5%	RMC1/16S 102JTH	J24189025		1-	A	D2
R 6185	CHIP RES.	1k	1/16W	5%	RMC1/16S 102JTH	J24189025		1-	A	D2
R 6186	CHIP RES.	1k	1/16W	5%	RMC1/16S 102JTH	J24189025		1-	A	D2
R 6188	CHIP RES.	22	1/16W	5%	RMC1/16S 220JTH	J24189005		1-	B	d2
R 6189	CHIP RES.	22	1/16W	5%	RMC1/16S 220JTH	J24189005		1-	B	d2
R 6190	CHIP RES.	22	1/16W	5%	RMC1/16S 220JTH	J24189005		1-	A	D2
R 6191	CHIP RES.	1k	1/16W	5%	RMC1/16S 102JTH	J24189025		1-	A	E2
R 6192	CHIP RES.	1k	1/16W	5%	RMC1/16S 102JTH	J24189025		1-	A	E3
R 6193	CHIP RES.	1k	1/16W	5%	RMC1/16S 102JTH	J24189025		1-	A	E2
R 6194	CHIP RES.	0	1/16W	5%	RMC1/16S JPTH	J24189070		1-	B	e2
R 6195	CHIP RES.	0	1/16W	5%	RMC1/16S JPTH	J24189070		1-	B	e2
R 6196	CHIP RES.	10k	1/16W	5%	RMC1/16S 103JTH	J24189037		1-	B	c1
R 6197	CHIP RES.	27	1/16W	5%	RMC1/16S 270JTH	J24189006		1-	B	e3
R 6198	CHIP RES.	27	1/16W	5%	RMC1/16S 270JTH	J24189006		1-	B	e3
R 6199	CHIP RES.	27	1/16W	5%	RMC1/16S 270JTH	J24189006		1-	B	e3
R 6200	CHIP RES.	27	1/16W	5%	RMC1/16S 270JTH	J24189006		1-	B	e3
R 6203	CHIP RES.	0	1/16W	5%	RMC1/16S JPTH	J24189070		1-	B	e3
R 6205	CHIP RES.	22k	1/16W	5%	RMC1/16S 223JTH	J24189041		1-	A	E1
R 6206	CHIP RES.	10k	1/16W	5%	RMC1/16S 103JTH	J24189037		1-	A	D3
R 6207	CHIP RES.	1k	1/16W	5%	RMC1/16S 102JTH	J24189025		1-	B	d3
R 6208	CHIP RES.	1k	1/16W	5%	RMC1/16S 102JTH	J24189025		1-	B	d3
R 6209	CHIP RES.	22	1/16W	5%	RMC1/16S 220JTH	J24189005		1-	B	d3
R 6210	CHIP RES.	22	1/16W	5%	RMC1/16S 220JTH	J24189005		1-	A	D3

DISPLAY Unit

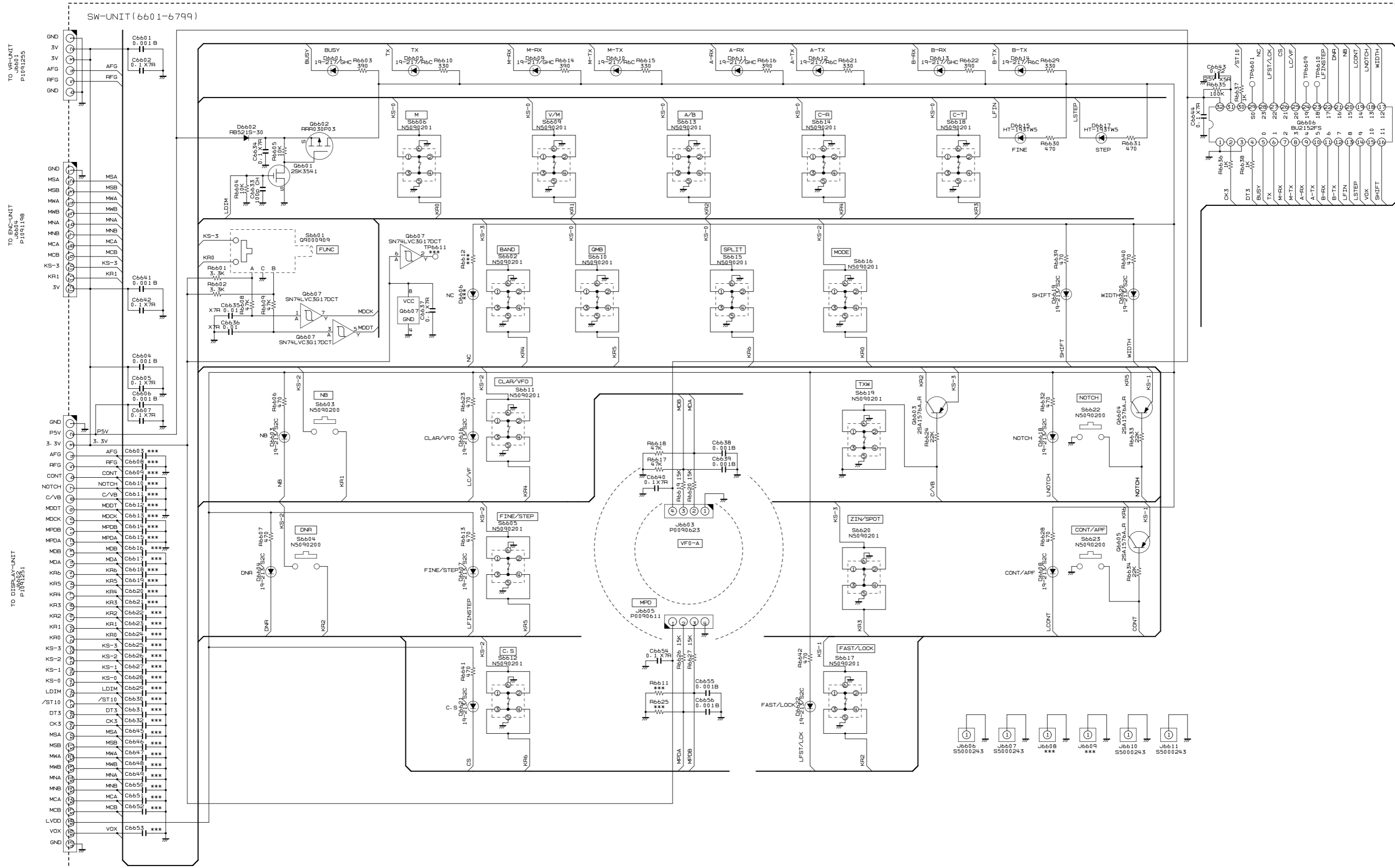
Parts List

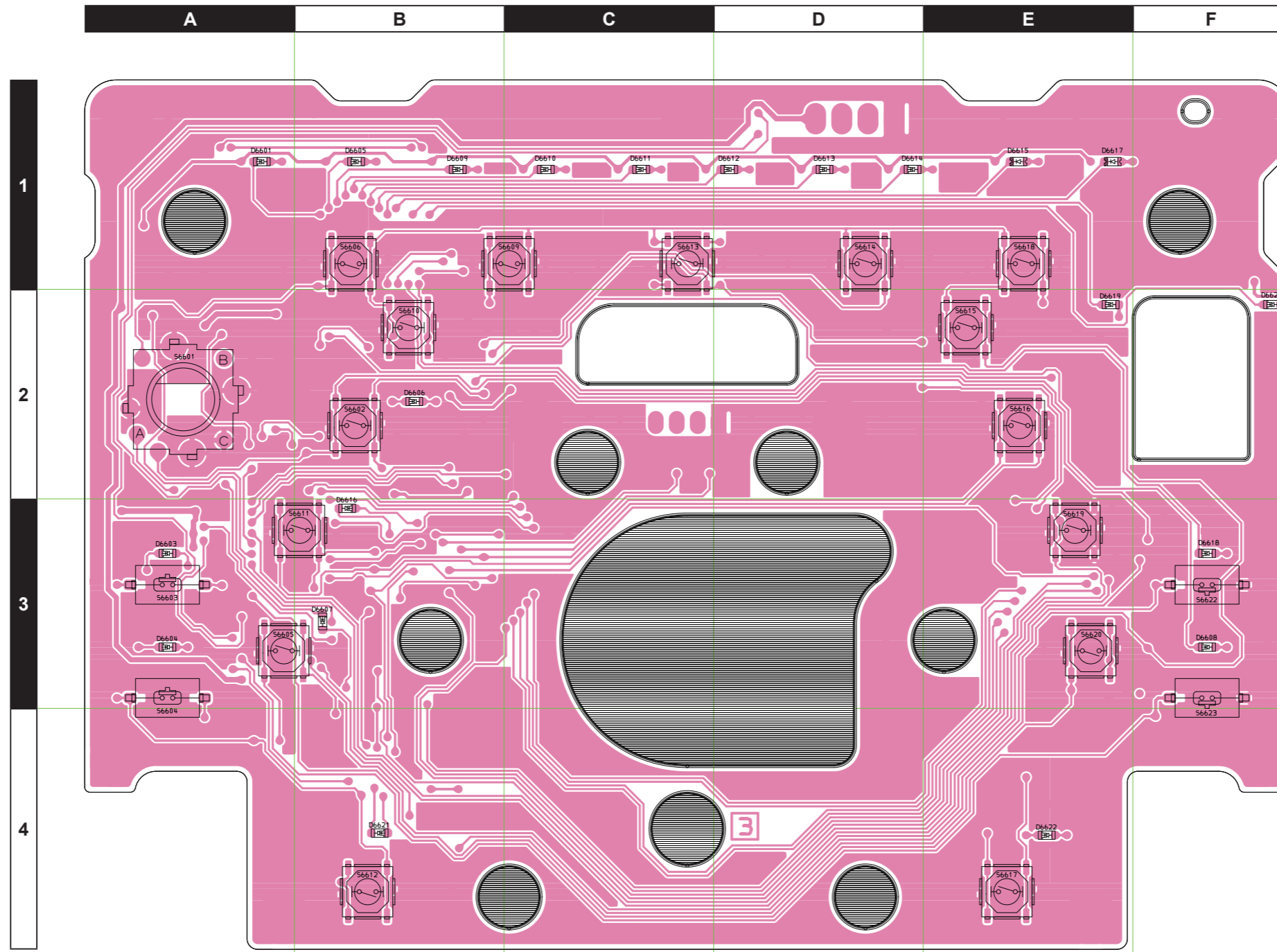
REF	DESCRIPTION	VALUE	V/W	TOL.	MFR'S DESIG	YAESU P/N	VERS.	LOT	SIDE	LAY ADR
R 6211	CHIP RES.	22	1/16W	5%	RMC1/16S 220JTH	J24189005		1-	B	d3
R 6212	CHIP RES.	22	1/16W	5%	RMC1/16S 220JTH	J24189005		1-	A	D3
R 6213	CHIP RES.	10k	1/16W	5%	RMC1/16S 103JTH	J24189037		1-	A	G3
R 6214	CHIP RES.	10k	1/16W	5%	RMC1/16S 103JTH	J24189037		1-	A	G3
R 6218	CHIP RES.	10k	1/16W	5%	RMC1/16S 103JTH	J24189037		1-	B	d3
R 6219	CHIP RES.	22	1/16W	5%	RMC1/16S 220JTH	J24189005		1-	B	d1
R 6220	CHIP RES.	22	1/16W	5%	RMC1/16S 220JTH	J24189005		1-	B	d1
R 6221	CHIP RES.	100k	1/16W	5%	RMC1/16S 104JTH	J24189049		1-	A	E2
R 6222	CHIP RES.	1k	1/16W	5%	RMC1/16S 102JTH	J24189025		1-	A	E2
R 6223	CHIP RES.	100k	1/16W	5%	RMC1/16S 104JTH	J24189049		1-	A	E2
R 6224	CHIP RES.	1k	1/16W	5%	RMC1/16S 102JTH	J24189025		1-	A	E2
R 6225	CHIP RES.	100k	1/16W	5%	RMC1/16S 104JTH	J24189049		1-	B	c2
R 6226	CHIP RES.	100k	1/16W	5%	RMC1/16S 104JTH	J24189049		1-	B	c2
R 6227	CHIP RES.	22	1/16W	5%	RMC1/16S 220JTH	J24189005		1-	A	E2
R 6228	CHIP RES.	22	1/16W	5%	RMC1/16S 220JTH	J24189005		1-	A	E2
R 6230	CHIP RES.	100k	1/16W	5%	RMC1/16S 104JTH	J24189049		1-	B	c2
R 6231	CHIP RES.	100k	1/16W	5%	RMC1/16S 104JTH	J24189049		1-	A	E2
R 6232	CHIP RES.	1k	1/16W	5%	RMC1/16S 102JTH	J24189025		1-	A	E2
R 6233	CHIP RES.	1k	1/16W	5%	RMC1/16S 102JTH	J24189025		1-	A	E2
R 6234	CHIP RES.	100k	1/16W	5%	RMC1/16S 104JTH	J24189049		1-	A	E2
R 6235	CHIP RES.	1k	1/16W	5%	RMC1/16S 102JTH	J24189025		1-	A	E2
R 6236	CHIP RES.	100k	1/16W	5%	RMC1/16S 104JTH	J24189049		1-	A	E2
R 6237	CHIP RES.	100k	1/16W	5%	RMC1/16S 104JTH	J24189049		1-	A	E2
R 6239	CHIP RES.	0	1/16W	5%	RMC1/16S JPTH	J24189070		1-	B	d4
R 6241	CHIP RES.	0	1/16W	5%	RMC1/16S JPTH	J24189070		1-	A	B2
R 6242	CHIP RES.	47k	1/16W	5%	RMC1/16S 473JTH	J24189045		1-	A	B2
R 6243	CHIP RES.	1k	1/16W	5%	RMC1/16S 102JTH	J24189025		1-	A	B2
R 6244	CHIP RES.	1k	1/16W	5%	RMC1/16S 102JTH	J24189025		1-	A	B2
R 6245	CHIP RES.	0	1/16W	5%	RMC1/16S JPTH	J24189070		1-	A	B2
R 6246	CHIP RES.	4.7k	1/16W	5%	RMC1/16S 472JTH	J24189033		1-	B	e3
R 6247	CHIP RES.	10	1/16W	5%	RMC1/16S 100JTH	J24189001		1-	B	e3
R 6248	CHIP RES.	0	1/16W	5%	RMC1/16S JPTH	J24189070		1-	B	e3
R 6249	CHIP RES.	0	1/16W	5%	RMC1/16S JPTH	J24189070		1-	B	e3
R 6250	CHIP RES.	10k	1/16W	5%	RMC1/16S 103JTH	J24189037		1-	B	e3
R 6251	CHIP RES.	10k	1/16W	5%	RMC1/16S 103JTH	J24189037		1-	B	e3
R 6254	CHIP RES.	5.6k	1/16W	5%	RMC1/16S 562JTH	J24189034		1-	B	f2
R 6256	CHIP RES.	5.6k	1/16W	5%	RMC1/16S 562JTH	J24189034		1-	B	f2
R 6257	CHIP RES.	12k	1/16W	5%	RMC1/16S 123JTH	J24189038		1-	B	f2
R 6258	CHIP RES.	10k	1/16W	5%	RMC1/16S 103JTH	J24189037		1-	B	f2
R 6259	CHIP RES.	10k	1/16W	5%	RMC1/16S 103JTH	J24189037		1-	B	f2
R 6260	CHIP RES.	100	1/16W	5%	RMC1/16S 101JTH	J24189013		1-	B	f2
R 6261	CHIP RES.	0	1/16W	5%	RMC1/16S JPTH	J24189070		1-	B	f3
R 6262	CHIP RES.	0	1/16W	5%	RMC1/16S JPTH	J24189070		1-	B	f3
R 6263	CHIP RES.	0	1/16W	5%	RMC1/16S JPTH	J24189070		1-	B	f3
R 6264	CHIP RES.	5.6k	1/16W	5%	RMC1/16S 562JTH	J24189034		1-	B	f2
R 6265	CHIP RES.	12k	1/16W	5%	RMC1/16S 123JTH	J24189038		1-	B	f2
R 6266	CHIP RES.	5.6k	1/16W	5%	RMC1/16S 562JTH	J24189034		1-	B	f3
R 6267	CHIP RES.	100	1/16W	5%	RMC1/16S 101JTH	J24189013		1-	B	f2
R 6269	CHIP RES.	1k	1/16W	5%	RMC1/16S 102JTH	J24189025		1-	A	D2
R 6270	CHIP RES.	47k	1/16W	5%	RMC1/16S 473JTH	J24189045		1-	A	F3
R 6271	CHIP RES.	10k	1/16W	5%	RMC1/16S 103JTH	J24189037		1-	B	d2
R 6272	CHIP RES.	10k	1/16W	5%	RMC1/16S 103JTH	J24189037		1-	A	D2
R 6273	CHIP RES.	10k	1/16W	5%	RMC1/16S 103JTH	J24189037		1-	A	D2
R 6274	CHIP RES.	1k	1/16W	5%	RMC1/16S 102JTH	J24189025		1-	A	B3
R 6276	CHIP RES.	0	1/16W	5%	RMC1/16S JPTH	J24189070		1-	A	F3
R 6279	CHIP RES.	0	1/16W	5%	RMC1/16S JPTH	J24189070		1-	B	a3
R 6280	CHIP RES.	0	1/16W	5%	RMC1/16S JPTH	J24189070		1-	B	g4
R 6282	CHIP RES.	1k	1/16W	5%	RMC1/16S 102JTH	J24189025		1-	A	F3
R 6283	CHIP RES.	1k	1/16W	5%	RMC1/16S 102JTH	J24189025		1-	A	D1
R 6284	CHIP RES.	47k	1/16W	5%	RMC1/16S 473JTH	J24189045		1-	A	B3
R 6285	CHIP RES.	100	1/16W	5%	RMC1/16S 101JTH	J24189013		1-	B	e4
R 6286	CHIP RES.	100	1/16W	5%	RMC1/16S 101JTH	J24189013		1-	B	e4
R 6287	CHIP RES.	22	1/16W	5%	RMC1/16S 220JTH	J24189005		1-	B	e4
R 6288	CHIP RES.	22	1/16W	5%	RMC1/16S 220JTH	J24189005		1-	B	e4
R 6289	CHIP RES.	22	1/16W	5%	RMC1/16S 220JTH	J24189005		1-	B	f4
R 6290	CHIP RES.	22	1/16W	5%	RMC1/16S 220JTH	J24189005		1-	B	f4
R 6291	CHIP RES.	22	1/16W	5%	RMC1/16S 220JTH	J24189005		1-	B	f4
R 6292	CHIP RES.	22	1/16W	5%	RMC1/16S 220JTH	J24189005		1-	B	f4
R 6293	CHIP RES.	0	1/16W	5%	RMC1/16S JPTH	J24189070		1-	B	f3
R 6294	CHIP RES.	0	1/16W	5%	RMC1/16S JPTH	J24189070		1-	B	f3
R 6295	CHIP RES.	100	1/4W	5%	RMC1/4 101JATP	J24245101		1-	B	g3
R 6296	CHIP RES.	100	1/4W	5%	RMC1/4 101JATP	J24245101		1-	B	g3
R 6297	CHIP RES.	0	1/16W	5%	RMC1/16S JPTH	J24189070		1-	B	g4
R 6299	CHIP RES.	0	1/16W	5%	RMC1/16S JPTH	J24189070		1-	B	d3
R 6300	CHIP RES.	1	1W	5%	RMC1 1R0JTE	J24305010		1-	A	B1

DISPLAY Unit

Parts List

REF	DESCRIPTION	VALUE	V/W	TOL.	MFR'S DESIG	YAESU P/N	VERS.	LOT	SIDE	LAY ADR
R 6301	CHIP RES.	1	1W	5%	RMC1 1R0JTE	J24305010		1-	A	B1
R 6302	CHIP RES.	240	1/16W	1%	RMC1/16 241FTP	J24183241		1-	A	C3
R 6303	CHIP RES.	1.2k	1/16W	1%	RMC1/16 122FTP	J24183122		1-	A	C3
R 6304	CHIP RES.	470	1/16W	5%	RMC1/16 471JATP	J24185471		1-	B	g2
R 6305	CHIP RES.	3.9	1W	5%	RMC1 3R9JTE	J24305399		1-	A	B1
R 6306	CHIP RES.	3.9	1W	5%	RMC1 3R9JTE	J24305399		1-	A	B1
R 6307	CHIP RES.	3.9	1W	5%	RMC1 3R9JTE	J24305399		1-	A	B1
R 6308	CHIP RES.	3.9	1W	5%	RMC1 3R9JTE	J24305399		1-	A	F4
R 6309	CHIP RES.	3.9	1W	5%	RMC1 3R9JTE	J24305399		1-	A	F4
R 6310	CHIP RES.	0	1/16W	5%	RMC1/16S JPTH	J24189070		2-	B	g1
R 6313	CHIP RES.	0	1/16W	5%	RMC1/16S JPTH	J24189070		1-	B	f3
R 6314	CHIP RES.	0	1/16W	5%	RMC1/16S JPTH	J24189070		1-	B	f2
R 6315	CHIP RES.	0	1/16W	5%	RMC1/16S JPTH	J24189070		1-	B	c1
R 6316	CHIP RES.	0	1/16W	5%	RMC1/16S JPTH	J24189070		1-	B	c1
R 6317	CHIP RES.	0	1/16W	5%	RMC1/16S JPTH	J24189070		1-	B	c1
R 6318	CHIP RES.	12	1W	5%	RMC1 120JTE	J24305120		1-	A	F3
R 6319	CHIP RES.	12	1W	5%	RMC1 120JTE	J24305120		1-	A	F3
R 6322	CHIP RES.	0	1/16W	5%	RMC1/16S JPTH	J24189070		1-	A	C2
R 6323	CHIP RES.	0	1/16W	5%	RMC1/16S JPTH	J24189070		1-	A	C2
R 6324	CHIP RES.	0	1/16W	5%	RMC1/16S JPTH	J24189070		1-	A	C2
R 6325	CHIP RES.	0	1/16W	5%	RMC1/16S JPTH	J24189070		1-	A	C2
R 6326	CHIP RES.	0	1/16W	5%	RMC1/16S JPTH	J24189070		1-	A	C2
R 6327	CHIP RES.	0	1/16W	5%	RMC1/16S JPTH	J24189070		1-	A	C2
R 6328	CHIP RES.	0	1/16W	5%	RMC1/16S JPTH	J24189070		1-	A	C2
R 6329	CHIP RES.	0	1/16W	5%	RMC1/16S JPTH	J24189070		1-	A	C2
R 6330	CHIP RES.	0	1/16W	5%	RMC1/16S JPTH	J24189070		1-	A	C2
R 6331	CHIP RES.	0	1/16W	5%	RMC1/16S JPTH	J24189070		1-	A	C2
R 6332	CHIP RES.	0	1/16W	5%	RMC1/16S JPTH	J24189070		1-	A	C2
R 6333	CHIP RES.	0	1/16W	5%	RMC1/16S JPTH	J24189070		1-	A	C2
R 6334	CHIP RES.	0	1/16W	5%	RMC1/16S JPTH	J24189070		1-	A	C2
R 6335	CHIP RES.	0	1/16W	5%	RMC1/16S JPTH	J24189070		1-	A	C2
R 6336	CHIP RES.	0	1/16W	5%	RMC1/16S JPTH	J24189070		1-	A	C2
R 6337	CHIP RES.	0	1/16W	5%	RMC1/16S JPTH	J24189070		1-	A	C2
R 6338	CHIP RES.	0	1/16W	5%	RMC1/16S JPTH	J24189070		1-	A	C2
R 6339	CHIP RES.	0	1/16W	5%	RMC1/16S JPTH	J24189070		1-	A	C2
R 6340	CHIP RES.	0	1/16W	5%	RMC1/16S JPTH	J24189070		1-	A	C2
R 6341	CHIP RES.	0	1/16W	5%	RMC1/16S JPTH	J24189070		1-	A	C2
R 6342	CHIP RES.	0	1/16W	5%	RMC1/16S JPTH	J24189070		1-	A	C2
R 6343	CHIP RES.	0	1/16W	5%	RMC1/16S JPTH	J24189070		1-	A	C2
R 6344	CHIP RES.	0	1/16W	5%	RMC1/16S JPTH	J24189070		1-	A	C2
R 6345	CHIP RES.	0	1/16W	5%	RMC1/16S JPTH	J24189070		1-	A	C2
R 6346	CHIP RES.	0	1/16W	5%	RMC1/16S JPTH	J24189070		1-	A	C2
R 6347	CHIP RES.	0	1/16W	5%	RMC1/16S JPTH	J24189070		1-	B	d2
R 6348	CHIP RES.	0	1/16W	5%	RMC1/16S JPTH	J24189070		1-	B	c3
RB6001	BLOCK RES.				RAC104D104JCTH	J42900055		1-	A	B4
RB6002	BLOCK RES.				RAC104D104JCTH	J42900055		1-	A	B4
S 6001	TACTILE SWITCH				EVQPLHA15	N5090174		1-	A	A1
S 6002	TACT SWITCH				TD-19XA-160	N5090200		1-	A	A2
S 6003	TACT SWITCH				TD-19XA-160	N5090200		1-	A	A2
S 6004	SLIDE SWITCH				SSSS820201	N6090107		1-	B	g1
T 6001	CHOKE COIL				DLP11SN900HL2L	L1691732		1-	B	d2
T 6002	CHOKE COIL				DLP11SN900HL2L	L1691732		1-	B	c2
T 6003	CHOKE COIL				DLP11SN900HL2L	L1691732		1-	B	d2
T 6004	CHOKE COIL				DLP11SN900HL2L	L1691732		1-	B	c2
X 6001	XTAL DSX321G	48MHz			48.000MHZ	H0103486		1-	B	c3
X 6002	XTAL DSX321G	27MHz			27.000MHZ	H0103484		1-	B	d3
X 6004	XTAL SC-32S	32.768kHz			SC-32S 32.768KHZ	H0103464		1-	B	d2
X 6005	XTAL DSX321G	8.192MHz			DSX321G 8.192MHZ	H0103450		1-	B	d3
	SHIELD CASE				(21X25.5)	RA6110000		1-		





SW Unit Parts List

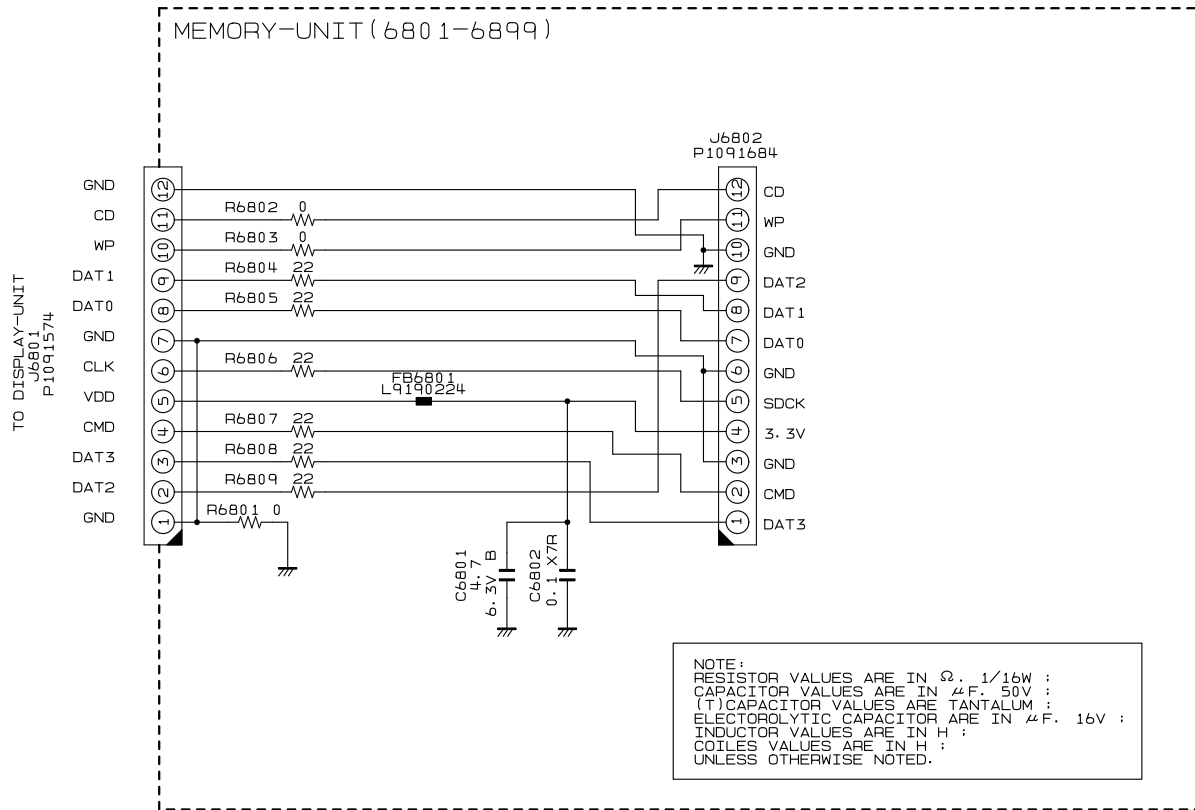
REF	DESCRIPTION	VALUE	V/W	TOL.	MFR'S DESIG	YAESU P/N	VERS.	LOT	SIDE	LAY ADR
C 6601	CHIP CAP.	0.001uF	50V	B	GRM155B11H102KA01D	K22178809		1-	B	e4
C 6602	CHIP CAP.	0.1uF	50V	X7R	GRM155R71H104KE14D	K22178872		1-	B	e4
C 6604	CHIP CAP.	0.001uF	50V	B	GRM155B11H102KA01D	K22178809		1-	B	e3
C 6605	CHIP CAP.	0.1uF	50V	X7R	GRM155R71H104KE14D	K22178872		1-	B	e3
C 6606	CHIP CAP.	0.001uF	50V	B	GRM155B11H102KA01D	K22178809		1-	B	f3
C 6607	CHIP CAP.	0.1uF	50V	X7R	GRM155R71H104KE14D	K22178872		1-	B	f3
C 6633	CHIP CAP.	100pF	50V	CH	GRM1552C1H101JA01D	K22178236		1-	B	f2
C 6634	CHIP CAP.	0.1uF	50V	X7R	GRM155R71H104KE14D	K22178872		1-	B	f1
C 6635	CHIP CAP.	0.01uF	50V	X7R	GRM155R71H103KA88D	K22178848		1-	B	f3
C 6636	CHIP CAP.	0.01uF	50V	X7R	GRM155R71H103KA88D	K22178848		1-	B	f3
C 6637	CHIP CAP.	0.1uF	50V	X7R	GRM155R71H104KE14D	K22178872		1-	B	f3
C 6638	CHIP CAP.	0.001uF	50V	B	GRM155B11H102KA01D	K22178809		1-	B	c1
C 6639	CHIP CAP.	0.001uF	50V	B	GRM155B11H102KA01D	K22178809		1-	B	c1
C 6640	CHIP CAP.	0.1uF	50V	X7R	GRM155R71H104KE14D	K22178872		1-	B	c1
C 6641	CHIP CAP.	0.001uF	50V	B	GRM155B11H102KA01D	K22178809		1-	B	a3
C 6642	CHIP CAP.	0.1uF	50V	X7R	GRM155R71H104KE14D	K22178872		1-	B	a3
C 6643	CHIP CAP.	0.22uF	25V	X5R	GRM155R61E224KE01D	K22149006		1-	B	e2
C 6644	CHIP CAP.	0.1uF	50V	X7R	GRM155R71H104KE14D	K22178872		1-	B	e2
C 6654	CHIP CAP.	0.1uF	50V	X7R	GRM155R71H104KE14D	K22178872		1-	B	d2
C 6655	CHIP CAP.	0.001uF	50V	B	GRM155B11H102KA01D	K22178809		1-	B	c2
C 6656	CHIP CAP.	0.001uF	50V	B	GRM155B11H102KA01D	K22178809		1-	B	c2
D 6601	LED				19-217/GHC-YR1S2/3T	G2071438		1-	A	A1
D 6602	DIODE				RB521S-30 TE61	G2070642		1-	B	f2
D 6603	LED				19-213/S2C-AP1Q2B/3T	G2071558		1-	A	A3
D 6604	LED				19-213/S2C-AP1Q2B/3T	G2071558		1-	A	A3
D 6605	LED				19-217/R6C-P1Q2/3T	G2071440		1-	A	B1
D 6607	LED				19-213/S2C-AP1Q2B/3T	G2071558		1-	A	B3
D 6608	LED				19-213/S2C-AP1Q2B/3T	G2071558		1-	A	F3
D 6609	LED				19-217/GHC-YR1S2/3T	G2071438		1-	A	B1
D 6610	LED				19-217/R6C-P1Q2/3T	G2071440		1-	A	C1
D 6611	LED				19-217/GHC-YR1S2/3T	G2071438		1-	A	C1
D 6612	LED				19-217/R6C-P1Q2/3T	G2071440		1-	A	D1
D 6613	LED				19-217/GHC-YR1S2/3T	G2071438		1-	A	D1
D 6614	LED				19-217/R6C-P1Q2/3T	G2071440		1-	A	D1
D 6615	LED				HT-193TW5	G2071390		1-	A	E1
D 6616	LED				19-213/S2C-AP1Q2B/3T	G2071558		1-	A	B3
D 6617	LED				HT-193TW5	G2071390		1-	A	E1
D 6618	LED				19-213/S2C-AP1Q2B/3T	G2071558		1-	A	F3
D 6619	LED				19-213/S2C-AP1Q2B/3T	G2071558		1-	A	E2
D 6620	LED				19-213/S2C-AP1Q2B/3T	G2071558		1-	A	F2
D 6621	LED				19-213/S2C-AP1Q2B/3T	G2071558		1-	A	B4
D 6622	LED				19-213/S2C-AP1Q2B/3T	G2071558		1-	A	E4
J 6601	CONNECTOR				06FLT-SM2-TB(LF)(SN)	P1091255		1-	B	e4
J 6602	CONNECTOR				40FLT-SM2-TB(LF)(SN)(M)	P1091251		1-	B	e3
J 6603	CONNECTOR				SC25-04WS	P0090623		1-	B	b1
J 6604	CONNECTOR				12FLT-SM2-TB(LF)(SN)	P1091198		1-	B	b3
J 6605	CONNECTOR				SB20-04WS	P0090611		1-	B	d2
J 6606	CONTACT				OG-503040	S5000243		1-	B	f1
J 6607	CONTACT				OG-503040	S5000243		1-	B	e4
J 6610	CONTACT				OG-503040	S5000243		1-	B	a1
J 6611	CONTACT				OG-503040	S5000243		1-	B	a4
Q 6601	FET				2SK3541 T2L	G3835417		1-	B	f2
Q 6602	FET				RRR030P03	G3070448		1-	B	f1
Q 6603	TRANSISTOR				2SA1576A T106 R	G3115768R		1-	B	b3
Q 6604	TRANSISTOR				2SA1576A T106 R	G3115768R		1-	B	a3
Q 6605	TRANSISTOR				2SA1576A T106 R	G3115768R		1-	B	a3
Q 6606	IC				BU2152FS(TAPE)	G1093942		1-	B	e1
Q 6607	IC				SN74LVC3G17DCTR	G1094419		1-	B	f3
R 6601	CHIP RES.	3.3k	1/16W	5%	RMC1/16S 332JTH	J24189031		1-	B	f3
R 6602	CHIP RES.	3.3k	1/16W	5%	RMC1/16S 332JTH	J24189031		1-	B	f3
R 6603	CHIP RES.	390	1/16W	5%	RMC1/16 391JATP	J24185391		1-	B	e1
R 6604	CHIP RES.	10k	1/16W	5%	RMC1/16S 103JTH	J24189037		1-	B	f2
R 6605	CHIP RES.	10k	1/16W	5%	RMC1/16S 103JTH	J24189037		1-	B	f1
R 6606	CHIP RES.	470	1/16W	5%	RMC1/16 471JATP	J24185471		1-	B	f3
R 6607	CHIP RES.	470	1/16W	5%	RMC1/16 471JATP	J24185471		1-	B	f3
R 6608	CHIP RES.	47k	1/16W	5%	RMC1/16S 473JTH	J24189045		1-	B	f3
R 6609	CHIP RES.	47k	1/16W	5%	RMC1/16S 473JTH	J24189045		1-	B	f3
R 6610	CHIP RES.	330	1/16W	5%	RMC1/16 331JATP	J24185331		1-	B	e1
R 6613	CHIP RES.	470	1/16W	5%	RMC1/16 471JATP	J24185471		1-	B	e3
R 6614	CHIP RES.	390	1/16W	5%	RMC1/16 391JATP	J24185391		1-	B	d1
R 6615	CHIP RES.	330	1/16W	5%	RMC1/16 331JATP	J24185331		1-	B	d1
R 6616	CHIP RES.	390	1/16W	5%	RMC1/16 391JATP	J24185391		1-	B	d1
R 6617	CHIP RES.	47k	1/16W	5%	RMC1/16S 473JTH	J24189045		1-	B	c1
R 6618	CHIP RES.	47k	1/16W	5%	RMC1/16S 473JTH	J24189045		1-	B	c1
R 6619	CHIP RES.	15k	1/16W	5%	RMC1/16S 153JTH	J24189039		1-	B	c1

SW Unit Parts List

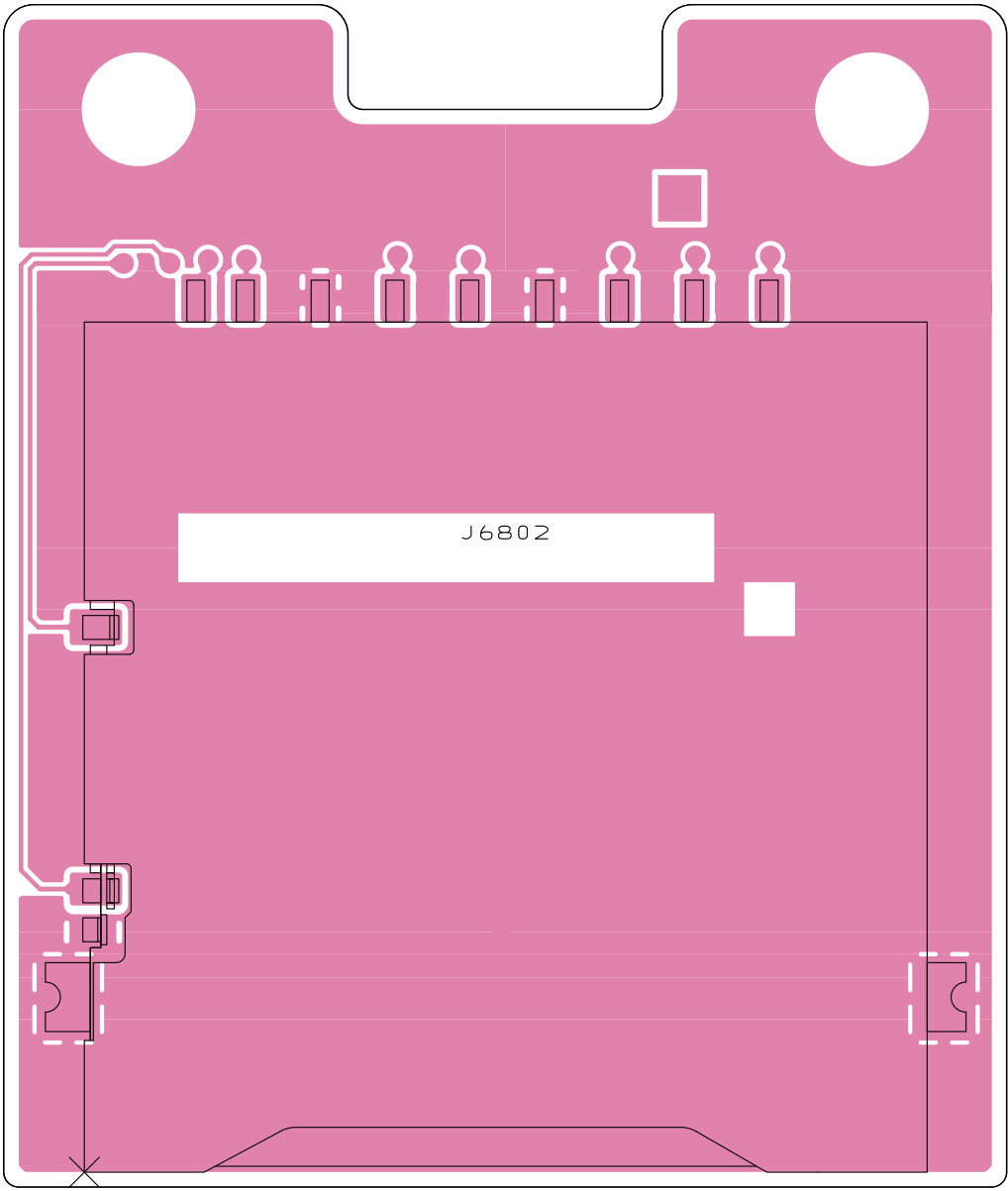
REF	DESCRIPTION	VALUE	V/W	TOL.	MFR'S DESIG	YAESU P/N	VERS.	LOT	SIDE	LAY ADR
R 6620	CHIP RES.	15k	1/16W	5%	RMC1/16S 153JTH	J24189039		1-	B	c1
R 6621	CHIP RES.	330	1/16W	5%	RMC1/16 331JATP	J24185331		1-	B	c1
R 6622	CHIP RES.	390	1/16W	5%	RMC1/16 391JATP	J24185391		1-	B	c1
R 6623	CHIP RES.	470	1/16W	5%	RMC1/16 471JATP	J24185471		1-	B	e3
R 6624	CHIP RES.	22k	1/16W	5%	RMC1/16S 223JTH	J24189041		1-	B	b2
R 6626	CHIP RES.	15k	1/16W	5%	RMC1/16S 153JTH	J24189039		1-	B	c2
R 6627	CHIP RES.	15k	1/16W	5%	RMC1/16S 153JTH	J24189039		1-	B	c2
R 6628	CHIP RES.	470	1/16W	5%	RMC1/16 471JATP	J24185471		1-	B	a3
R 6629	CHIP RES.	330	1/16W	5%	RMC1/16 331JATP	J24185331		1-	B	b1
R 6630	CHIP RES.	470	1/16W	5%	RMC1/16 471JATP	J24185471		1-	B	b1
R 6631	CHIP RES.	470	1/16W	5%	RMC1/16 471JATP	J24185471		1-	B	a1
R 6632	CHIP RES.	470	1/16W	5%	RMC1/16 471JATP	J24185471		1-	B	a3
R 6633	CHIP RES.	22k	1/16W	5%	RMC1/16S 223JTH	J24189041		1-	B	a3
R 6634	CHIP RES.	22k	1/16W	5%	RMC1/16S 223JTH	J24189041		1-	B	a3
R 6635	CHIP RES.	100k	1/16W	5%	RMC1/16S 104JTH	J24189049		1-	B	e2
R 6636	CHIP RES.	1k	1/16W	5%	RMC1/16S 102JTH	J24189025		1-	B	e1
R 6637	CHIP RES.	1k	1/16W	5%	RMC1/16S 102JTH	J24189025		1-	B	e2
R 6638	CHIP RES.	1k	1/16W	5%	RMC1/16S 102JTH	J24189025		1-	B	e1
R 6639	CHIP RES.	470	1/16W	5%	RMC1/16 471JATP	J24185471		1-	B	a1
R 6640	CHIP RES.	470	1/16W	5%	RMC1/16 471JATP	J24185471		1-	B	a1
R 6641	CHIP RES.	470	1/16W	5%	RMC1/16 471JATP	J24185471		1-	B	e4
R 6642	CHIP RES.	470	1/16W	5%	RMC1/16 471JATP	J24185471		1-	B	a4
S 6601	ROTARY ENCODER				EC09E1524405	Q9000909		1-	A	A2
S 6602	TACTILE SWITCH				EVQPLHA15	N5090174		1-	A	B2
S 6603	TACT SWITCH				TD-19XA-160	N5090200		1-	A	A3
S 6604	TACT SWITCH				TD-19XA-160	N5090200		1-	A	A3
S 6605	TACTILE SWITCH				EVQPLHA15	N5090174		1-	A	A3
S 6606	TACTILE SWITCH				EVQPLHA15	N5090174		1-	A	B1
S 6609	TACTILE SWITCH				EVQPLHA15	N5090174		1-	A	C1
S 6610	TACTILE SWITCH				EVQPLHA15	N5090174		1-	A	B2
S 6611	TACTILE SWITCH				EVQPLHA15	N5090174		1-	A	B3
S 6612	TACTILE SWITCH				EVQPLHA15	N5090174		1-	A	B4
S 6613	TACTILE SWITCH				EVQPLHA15	N5090174		1-	A	C1
S 6614	TACTILE SWITCH				EVQPLHA15	N5090174		1-	A	D1
S 6615	TACTILE SWITCH				EVQPLHA15	N5090174		1-	A	E2
S 6616	TACTILE SWITCH				EVQPLHA15	N5090174		1-	A	E2
S 6617	TACTILE SWITCH				EVQPLHA15	N5090174		1-	A	E4
S 6618	TACTILE SWITCH				EVQPLHA15	N5090174		1-	A	E1
S 6619	TACTILE SWITCH				EVQPLHA15	N5090174		1-	A	E3
S 6620	TACTILE SWITCH				EVQPLHA15	N5090174		1-	A	E3
S 6622	TACT SWITCH				TD-19XA-160	N5090200		1-	A	F3
S 6623	TACT SWITCH				TD-19XA-160	N5090200		1-	A	F3

MEMORY Unit

Circuit Diagram

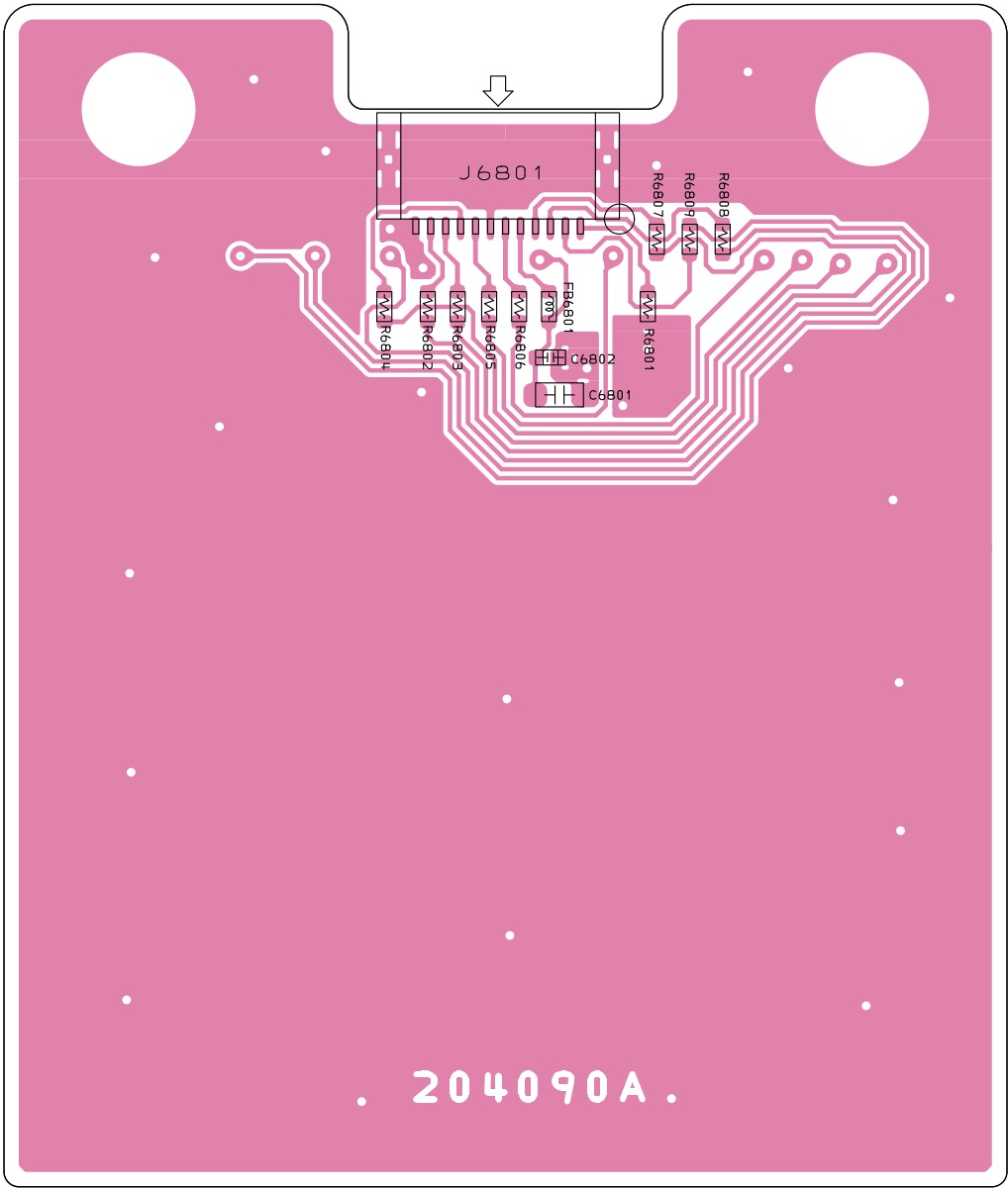


MEMORY Unit
Parts Layout (side A)



MEMORY Unit

Parts Layout (side B)

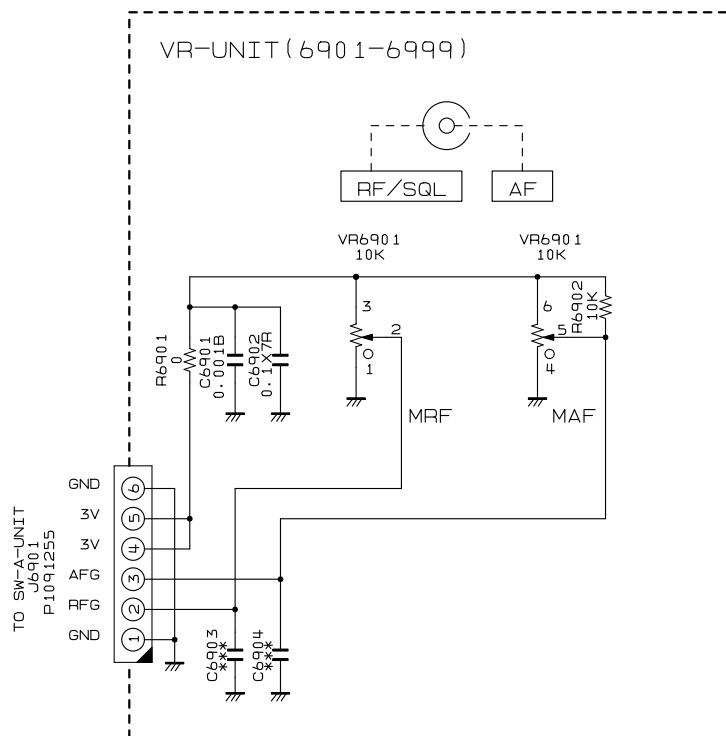


MEMORY Unit

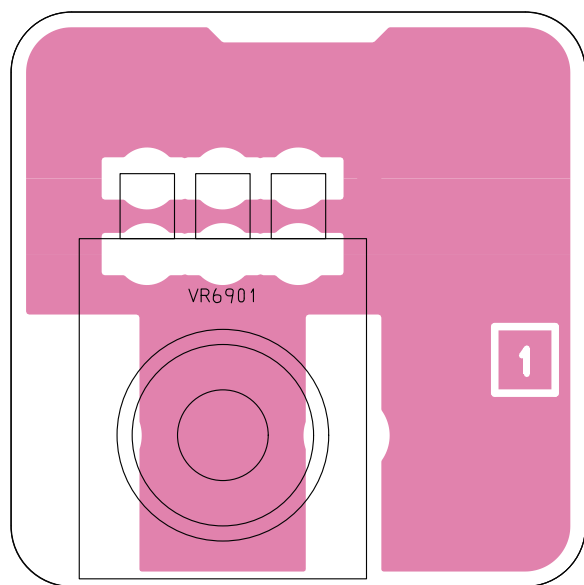
Parts List

REF	DESCRIPTION	VALUE	V/W	TOL.	MFR'S DESIG	YAESU P/N	VERS.	LOT	SIDE	LAY ADR
C 6801	CHIP CAP.	4.7uF	6.3V	B	JMK107BJ475MA-T	K22084803		1-	B	
C 6802	CHIP CAP.	0.1uF	50V	X7R	GRM155R71H104KE14D	K22178872		1-	B	
FB6801	FERRITE BEADS				BLM15PX221SN1D	L9190224		1-	B	
J 6801	CONNECTOR				12FHJ-SM1-TB(LF)(SN)	P1091574		1-	B	
J 6802	CONNECTOR				AXA2S73022P-M	P1091684		1-	A	
R 6801	CHIP RES.	0	1/16W	5%	RMC1/16S JPTH	J24189070		1-	B	
R 6802	CHIP RES.	0	1/16W	5%	RMC1/16S JPTH	J24189070		1-	B	
R 6803	CHIP RES.	0	1/16W	5%	RMC1/16S JPTH	J24189070		1-	B	
R 6804	CHIP RES.	22	1/16W	5%	RMC1/16S 220JTH	J24189005		1-	B	
R 6805	CHIP RES.	22	1/16W	5%	RMC1/16S 220JTH	J24189005		1-	B	
R 6806	CHIP RES.	22	1/16W	5%	RMC1/16S 220JTH	J24189005		1-	B	
R 6807	CHIP RES.	22	1/16W	5%	RMC1/16S 220JTH	J24189005		1-	B	
R 6808	CHIP RES.	22	1/16W	5%	RMC1/16S 220JTH	J24189005		1-	B	
R 6809	CHIP RES.	22	1/16W	5%	RMC1/16S 220JTH	J24189005		1-	B	

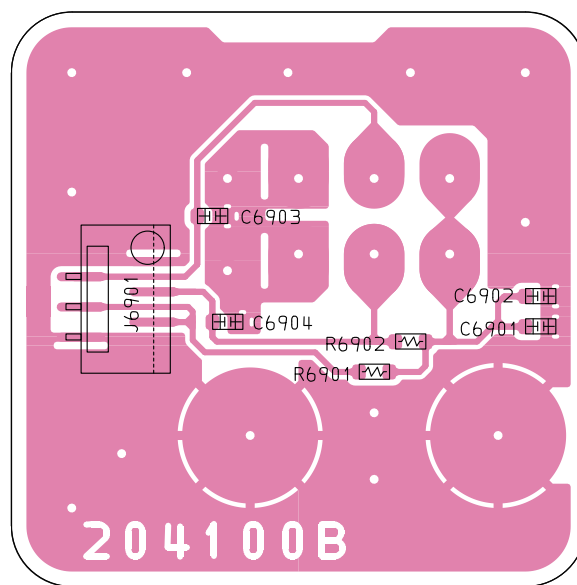
VR Unit Circuit Diagram



Parts Layout



side A

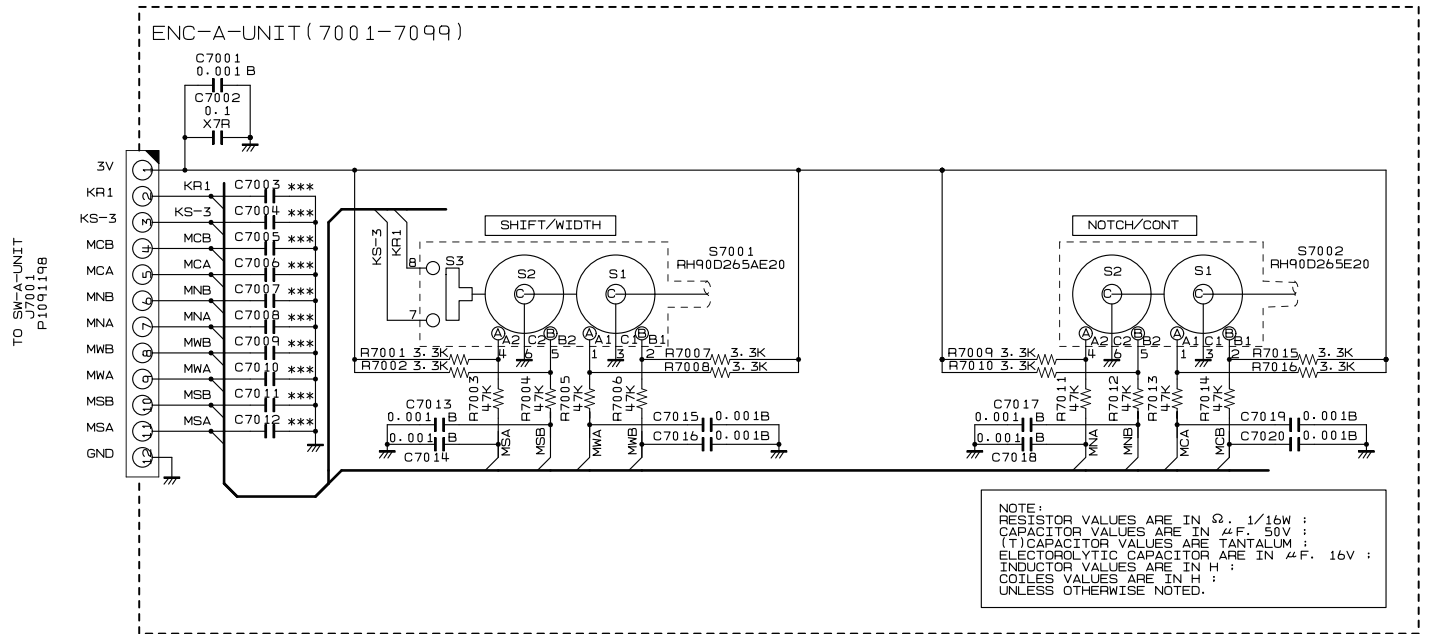


side B

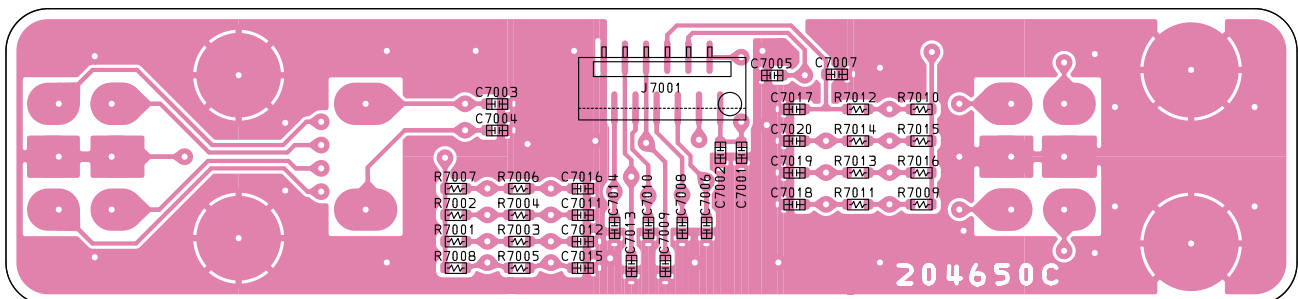
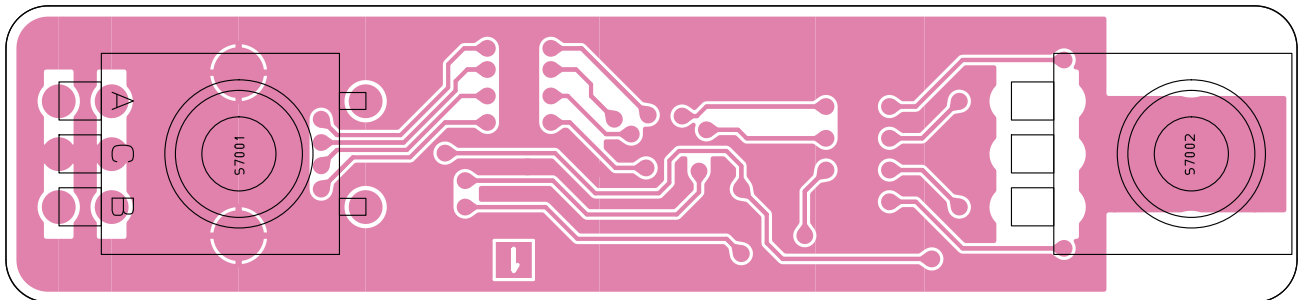
Parts List

REF	DESCRIPTION	VALUE	V/W	TOL.	MFR'S DESIG	YAESU P/N	VERS.	LOT	SIDE	LAY ADR
C 6901	CHIP CAP.	0.001uF	50V	B	GRM155B11H102KA01D	K22178809		1-	B	
C 6902	CHIP CAP.	0.1uF	50V	X7R	GRM155R71H104KE14D	K22178872		1-	B	
J 6901	CONNECTOR				06FLT-SM2-TB(LF)(SN)	P1091255		1-	B	
R 6901	CHIP RES.	0	1/16W	5%	RMC1/16S JPTH	J24189070		1-	B	
R 6902	CHIP RES.	10k	1/16W	5%	RMC1/16S 103JTH	J24189037		1-	B	
VR6901	POT.	10k			RH96D1144 25F RY-10302	J62800152		1-	A	

ENC-A Unit Circuit Diagram



Parts Layout

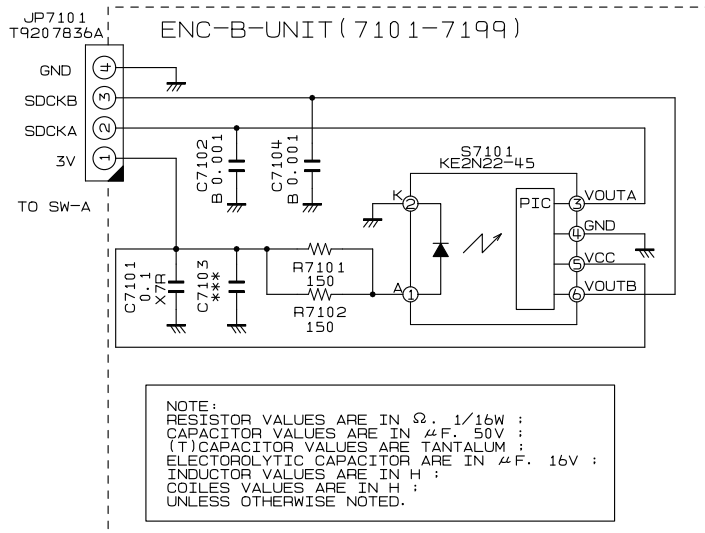


ENC-A Unit

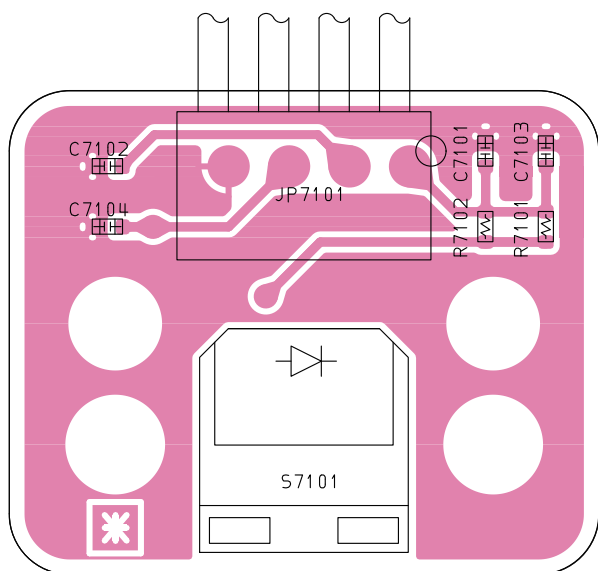
Parts List

REF	DESCRIPTION	VALUE	V/W	TOL.	MFR'S DESIG	YAESU P/N	VERS.	LOT	SIDE	LAY ADR
C 7001	CHIP CAP.	0.001uF	50V	B	GRM155B11H102KA01D	K22178809		1-	B	
C 7002	CHIP CAP.	0.1uF	50V	X7R	GRM155R71H104KE14D	K22178872		1-	B	
C 7013	CHIP CAP.	0.001uF	50V	B	GRM155B11H102KA01D	K22178809		1-	B	
C 7014	CHIP CAP.	0.001uF	50V	B	GRM155B11H102KA01D	K22178809		1-	B	
C 7015	CHIP CAP.	0.001uF	50V	B	GRM155B11H102KA01D	K22178809		1-	B	
C 7016	CHIP CAP.	0.001uF	50V	B	GRM155B11H102KA01D	K22178809		1-	B	
C 7017	CHIP CAP.	0.001uF	50V	B	GRM155B11H102KA01D	K22178809		1-	B	
C 7018	CHIP CAP.	0.001uF	50V	B	GRM155B11H102KA01D	K22178809		1-	B	
C 7019	CHIP CAP.	0.001uF	50V	B	GRM155B11H102KA01D	K22178809		1-	B	
C 7020	CHIP CAP.	0.001uF	50V	B	GRM155B11H102KA01D	K22178809		1-	B	
J 7001	CONNECTOR				12FLT-SM2-TB(LF)(SN)	P1091198		1-	B	
R 7001	CHIP RES.	3.3k	1/16W	5%	RMC1/16S 332JTH	J24189031		1-	B	
R 7002	CHIP RES.	3.3k	1/16W	5%	RMC1/16S 332JTH	J24189031		1-	B	
R 7003	CHIP RES.	47k	1/16W	5%	RMC1/16S 473JTH	J24189045		1-	B	
R 7004	CHIP RES.	47k	1/16W	5%	RMC1/16S 473JTH	J24189045		1-	B	
R 7005	CHIP RES.	47k	1/16W	5%	RMC1/16S 473JTH	J24189045		1-	B	
R 7006	CHIP RES.	47k	1/16W	5%	RMC1/16S 473JTH	J24189045		1-	B	
R 7007	CHIP RES.	3.3k	1/16W	5%	RMC1/16S 332JTH	J24189031		1-	B	
R 7008	CHIP RES.	3.3k	1/16W	5%	RMC1/16S 332JTH	J24189031		1-	B	
R 7009	CHIP RES.	3.3k	1/16W	5%	RMC1/16S 332JTH	J24189031		1-	B	
R 7010	CHIP RES.	3.3k	1/16W	5%	RMC1/16S 332JTH	J24189031		1-	B	
R 7011	CHIP RES.	47k	1/16W	5%	RMC1/16S 473JTH	J24189045		1-	B	
R 7012	CHIP RES.	47k	1/16W	5%	RMC1/16S 473JTH	J24189045		1-	B	
R 7013	CHIP RES.	47k	1/16W	5%	RMC1/16S 473JTH	J24189045		1-	B	
R 7014	CHIP RES.	47k	1/16W	5%	RMC1/16S 473JTH	J24189045		1-	B	
R 7015	CHIP RES.	3.3k	1/16W	5%	RMC1/16S 332JTH	J24189031		1-	B	
R 7016	CHIP RES.	3.3k	1/16W	5%	RMC1/16S 332JTH	J24189031		1-	B	
S 7001	ROTARY ENCODER				RH90D265AE20-25F	Q9001052		1-	A	
S 7002	ROTARY ENCODER				RH90D265E20 RY-10164	Q9000950		1-	A	

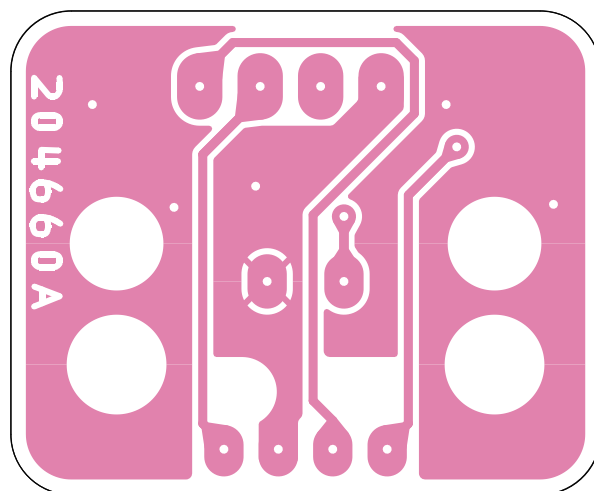
ENC-B Unit Circuit Diagram



Parts Layout



side A

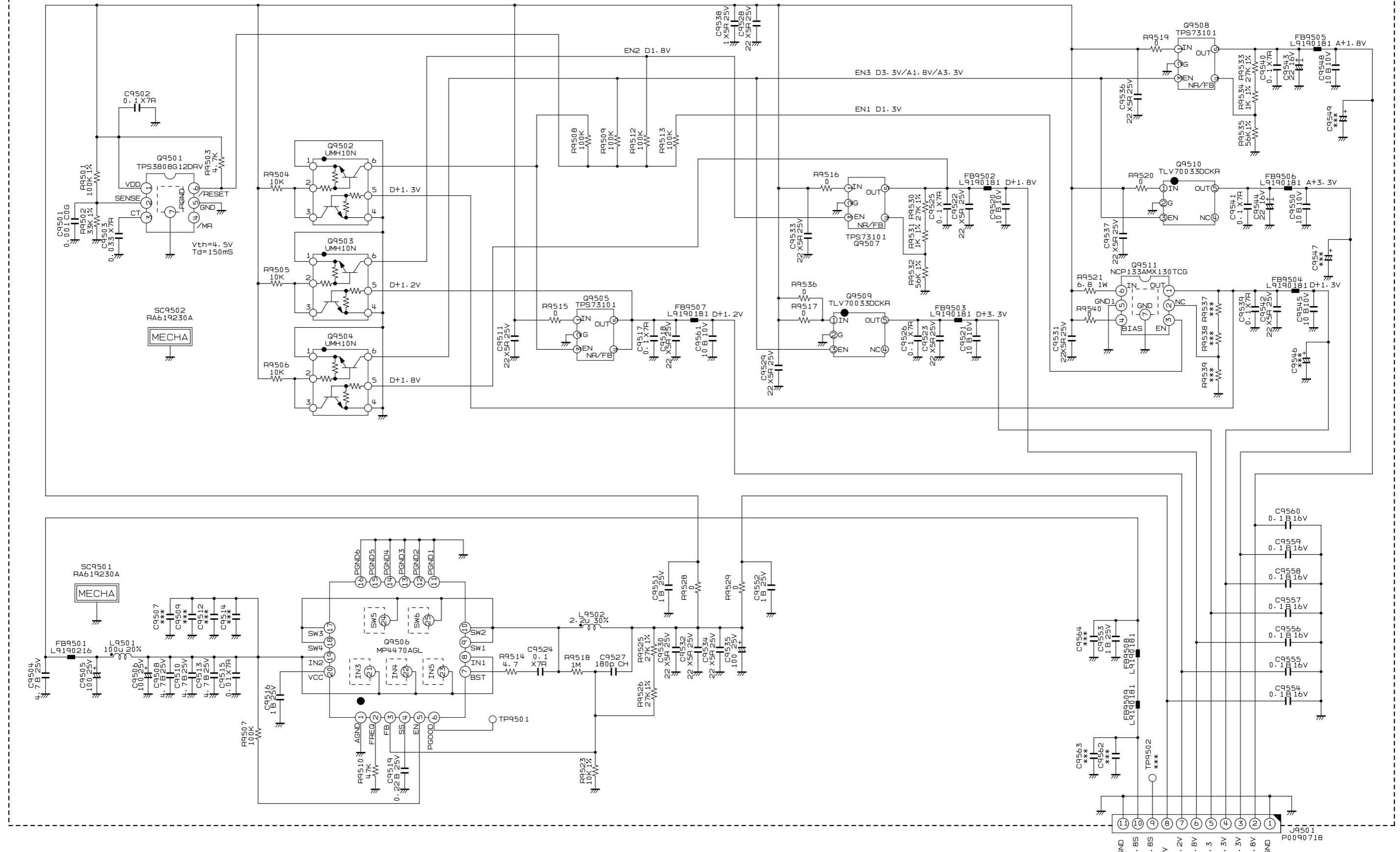


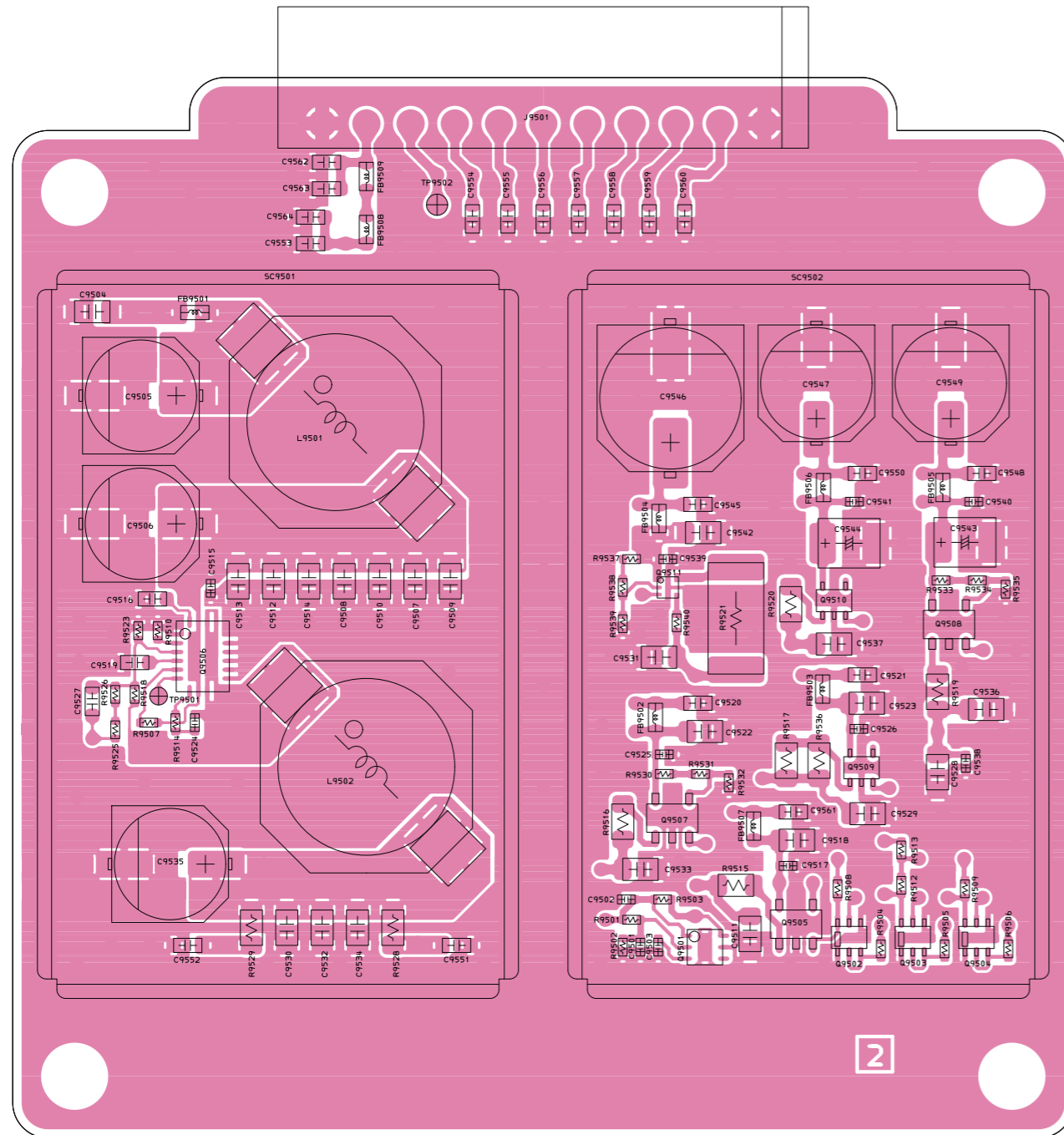
side B

Parts List

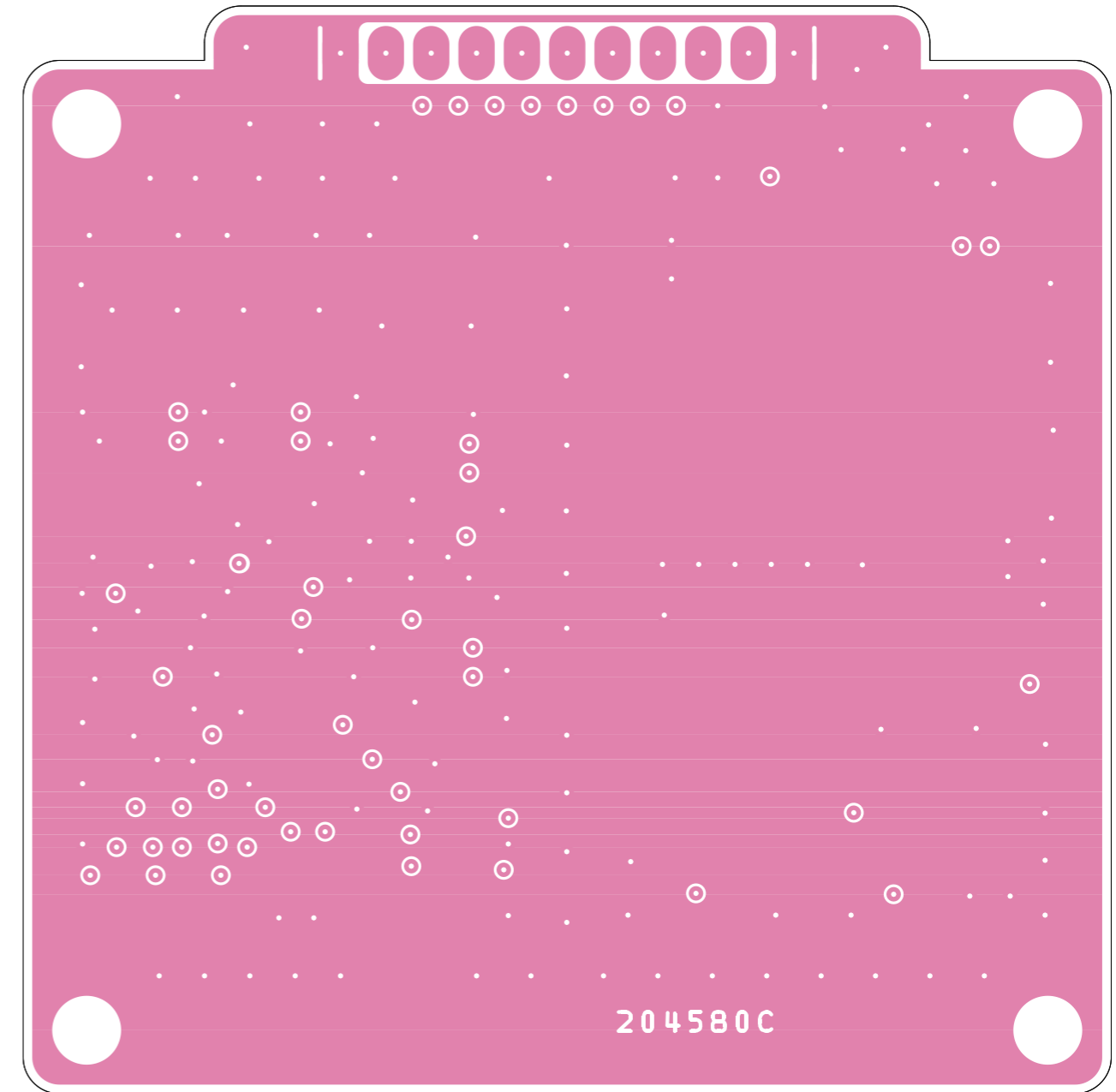
REF	DESCRIPTION	VALUE	V/W	TOL.	MFR'S DESIG	YAESU P/N	VERS.	LOT	SIDE	LAY ADR
C 7101	CHIP CAP.	0.1uF	50V	X7R	GRM155R71H104KE14D	K22178872		1-	A	
C 7102	CHIP CAP.	0.001uF	50V	B	GRM155B11H102KA01D	K22178809		1-	A	
C 7104	CHIP CAP.	0.001uF	50V	B	GRM155B11H102KA01D	K22178809		1-	A	
JP7101	WIRE ASSY				AH068H-67MM4P	T9207836A		1-	A	
R 7101	CHIP RES.	150	1/16W	5%	RMC1/16S 151JTH	J24189015		1-	A	
R 7102	CHIP RES.	150	1/16W	5%	RMC1/16S 151JTH	J24189015		1-	A	
S 7101	ROTARY ENCODER				KE2N22-45	Q9001054		1-	A	

DC/DC-UNIT (9501-9999)





side A



side B

DC-DC Unit Parts List

REF	DESCRIPTION	VALUE	V/W	TOL.	MFR'S DESIG	YAESU P/N	VERS.	LOT	SIDE	LAY ADR
C 9501	CHIP CAP.	0.001uF	50V	C0G	GRM1555C1H102JA01D	K22179756		1-	A	
C 9502	CHIP CAP.	0.1uF	50V	X7R	GRM155R71H104KE14D	K22178872		1-	A	
C 9503	CHIP CAP.	0.033uF	50V	X7R	GRM155R71H333KE14D	K22178860		1-	A	
C 9504	CHIP CAP.	4.7uF	25V	B	GRM21BB31E475KA75L	K22140832		1-	A	
C 9505	AL.ELECTRO.CAP.	100uF	25V		UWT1E101MCL1GS	K48140032		1-	A	
C 9506	AL.ELECTRO.CAP.	100uF	25V		UWT1E101MCL1GS	K48140032		1-	A	
C 9508	CHIP CAP.	4.7uF	25V	B	GRM21BB31E475KA75L	K22140832		1-	A	
C 9510	CHIP CAP.	4.7uF	25V	B	GRM21BB31E475KA75L	K22140832		1-	A	
C 9511	CHIP CAP.	22uF	25V	X5R	GRM21BR61E226ME44L	K22140830		1-	A	
C 9513	CHIP CAP.	4.7uF	25V	B	GRM21BB31E475KA75L	K22140832		1-	A	
C 9515	CHIP CAP.	0.01uF	50V	X7R	GRM155R71H103KA88D	K22178848		1-	A	
C 9516	CHIP CAP.	1uF	25V	B	GRM188B31E105KA75D	K22144815		1-	A	
C 9517	CHIP CAP.	0.1uF	50V	X7R	GRM155R71H104KE14D	K22178872		1-	A	
C 9518	CHIP CAP.	22uF	25V	X5R	GRM21BR61E226ME44L	K22140830		1-	A	
C 9519	CHIP CAP.	0.22uF	25V	B	GRM188B31E224KA87D	K22144817		1-	A	
C 9520	CHIP CAP.	10uF	10V	B	GRM188B31A106ME69D	K22104810		1-	A	
C 9521	CHIP CAP.	10uF	10V	B	GRM188B31A106ME69D	K22104810		1-	A	
C 9522	CHIP CAP.	22uF	25V	X5R	GRM21BR61E226ME44L	K22140830		1-	A	
C 9523	CHIP CAP.	22uF	25V	X5R	GRM21BR61E226ME44L	K22140830		1-	A	
C 9524	CHIP CAP.	0.1uF	50V	X7R	GRM155R71H104KE14D	K22178872		1-	A	
C 9525	CHIP CAP.	0.1uF	50V	X7R	GRM155R71H104KE14D	K22178872		1-	A	
C 9526	CHIP CAP.	0.1uF	50V	X7R	GRM155R71H104KE14D	K22178872		1-	A	
C 9527	CHIP CAP.	180pF	50V	CH	GRM1882C1H181JA01D	K22174241		1-	A	
C 9528	CHIP CAP.	22uF	25V	X5R	GRM21BR61E226ME44L	K22140830		1-	A	
C 9529	CHIP CAP.	22uF	25V	X5R	GRM21BR61E226ME44L	K22140830		1-	A	
C 9530	CHIP CAP.	22uF	25V	X5R	GRM21BR61E226ME44L	K22140830		1-	A	
C 9531	CHIP CAP.	22uF	25V	X5R	GRM21BR61E226ME44L	K22140830		1-	A	
C 9532	CHIP CAP.	22uF	25V	X5R	GRM21BR61E226ME44L	K22140830		1-	A	
C 9533	CHIP CAP.	22uF	25V	X5R	GRM21BR61E226ME44L	K22140830		1-	A	
C 9534	CHIP CAP.	22uF	25V	X5R	GRM21BR61E226ME44L	K22140830		1-	A	
C 9535	AL.ELECTRO.CAP.	100uF	25V		UWT1E101MCL1GS	K48140032		1-	A	
C 9536	CHIP CAP.	22uF	25V	X5R	GRM21BR61E226ME44L	K22140830		1-	A	
C 9537	CHIP CAP.	22uF	25V	X5R	GRM21BR61E226ME44L	K22140830		1-	A	
C 9538	CHIP CAP.	1uF	25V	X5R	GRM155R61E105KE11D	K22149010		1-	A	
C 9539	CHIP CAP.	0.1uF	50V	X7R	GRM155R71H104KE14D	K22178872		1-	A	
C 9540	CHIP CAP.	0.1uF	50V	X7R	GRM155R71H104KE14D	K22178872		1-	A	
C 9541	CHIP CAP.	0.1uF	50V	X7R	GRM155R71H104KE14D	K22178872		1-	A	
C 9542	CHIP CAP.	22uF	25V	X5R	GRM21BR61E226ME44L	K22140830		1-	A	
C 9543	CHIP TA.CAP.	22uF	16V		TPSB226M016Y0600	K78120075		1-	A	
C 9544	CHIP TA.CAP.	22uF	16V		TPSB226M016Y0600	K78120075		1-	A	
C 9545	CHIP CAP.	10uF	10V	B	GRM188B31A106ME69D	K22104810		1-	A	
C 9548	CHIP CAP.	10uF	10V	B	GRM188B31A106ME69D	K22104810		1-	A	
C 9550	CHIP CAP.	10uF	10V	B	GRM188B31A106ME69D	K22104810		1-	A	
C 9551	CHIP CAP.	1uF	25V	B	GRM188B31E105KA75D	K22144815		1-	A	
C 9552	CHIP CAP.	1uF	25V	B	GRM188B31E105KA75D	K22144815		1-	A	
C 9553	CHIP CAP.	1uF	25V	B	GRM188B31E105KA75D	K22144815		1-	A	
C 9554	CHIP CAP.	0.1uF	16V	B	GRM188B11C104KA01D	K22124805		1-	A	
C 9555	CHIP CAP.	0.1uF	16V	B	GRM188B11C104KA01D	K22124805		1-	A	
C 9556	CHIP CAP.	0.1uF	16V	B	GRM188B11C104KA01D	K22124805		1-	A	
C 9557	CHIP CAP.	0.1uF	16V	B	GRM188B11C104KA01D	K22124805		1-	A	
C 9558	CHIP CAP.	0.1uF	16V	B	GRM188B11C104KA01D	K22124805		1-	A	
C 9559	CHIP CAP.	0.1uF	16V	B	GRM188B11C104KA01D	K22124805		1-	A	
C 9560	CHIP CAP.	0.1uF	16V	B	GRM188B11C104KA01D	K22124805		1-	A	
C 9561	CHIP CAP.	10uF	10V	B	GRM188B31A106ME69D	K22104810		1-	A	
FB9501	FERRITE BEADS				BLM18KG260TN1D	L9190216		1-	A	
FB9502	FERRITE BEADS				BLM18PG221SN1D	L9190181		1-	A	
FB9503	FERRITE BEADS				BLM18PG221SN1D	L9190181		1-	A	
FB9504	FERRITE BEADS				BLM18PG221SN1D	L9190181		1-	A	
FB9505	FERRITE BEADS				BLM18PG221SN1D	L9190181		1-	A	
FB9506	FERRITE BEADS				BLM18PG221SN1D	L9190181		1-	A	
FB9507	FERRITE BEADS				BLM18PG221SN1D	L9190181		1-	A	
FB9508	FERRITE BEADS				BLM18PG221SN1D	L9190181		1-	A	
FB9509	FERRITE BEADS				BLM18PG221SN1D	L9190181		1-	A	
J 9501	CONNECTOR				SC25-11WL	P0090718		1-	A	
L 9501	CHIP COIL	100uH		20%	CER1257-101M-R	L1691694		1-	A	
L 9502	CHIP COIL	2.2uH		30%	CER1257-2R2N	L1692102		1-	A	
Q 9501	IC				TPS3808G12DRV	G1095176		1-	A	
Q 9502	TRANSISTOR				UMH10N TN	G3070096		1-	A	
Q 9503	TRANSISTOR				UMH10N TN	G3070096		1-	A	
Q 9504	TRANSISTOR				UMH10N TN	G3070096		1-	A	
Q 9505	IC				TPS73101DBVR	G1095096		1-	A	
Q 9506	IC				MP4470AGL	G1095590		1-	A	
Q 9507	IC				TPS73101DBVR	G1095096		1-	A	
Q 9508	IC				TPS73101DBVR	G1095096		1-	A	
Q 9509	IC				TLV70033DCKR	G1094953		1-	A	

DC-DC Unit Parts List

REF	DESCRIPTION	VALUE	V/W	TOL.	MFR'S DESIG	YAESU P/N	VERS.	LOT	SIDE	LAY ADR
Q 9510	IC				TLV70033DCKR	G1094953		1-	A	
Q 9511	IC				NCP133AMX130TCG	G1095735		1-	A	
R 9501	CHIP RES.	100k	1/16W	1%	RMC1/16SK104FTH	J24189529		1-	A	
R 9502	CHIP RES.	33k	1/16W	1%	RMC1/16SK333FTH	J24189494		1-	A	
R 9503	CHIP RES.	4.7k	1/16W	5%	RMC1/16S 472JTH	J24189033		1-	A	
R 9504	CHIP RES.	10k	1/16W	5%	RMC1/16S 103JTH	J24189037		1-	A	
R 9505	CHIP RES.	10k	1/16W	5%	RMC1/16S 103JTH	J24189037		1-	A	
R 9506	CHIP RES.	10k	1/16W	5%	RMC1/16S 103JTH	J24189037		1-	A	
R 9507	CHIP RES.	100k	1/16W	5%	RMC1/16S 104JTH	J24189049		1-	A	
R 9508	CHIP RES.	100k	1/16W	5%	RMC1/16S 104JTH	J24189049		1-	A	
R 9509	CHIP RES.	100k	1/16W	5%	RMC1/16S 104JTH	J24189049		1-	A	
R 9510	CHIP RES.	47k	1/16W	5%	RMC1/16S 473JTH	J24189045		1-	A	
R 9512	CHIP RES.	100k	1/16W	5%	RMC1/16S 104JTH	J24189049		1-	A	
R 9513	CHIP RES.	100k	1/16W	5%	RMC1/16S 104JTH	J24189049		1-	A	
R 9514	CHIP RES.	4.7	1/16W	5%	RMC1/16S 4R7JTH	J24189066		1-	A	
R 9515	CHIP RES.	0	1/10W	5%	RMC1/10T 000J	J24205000		1-	A	
R 9516	CHIP RES.	0	1/10W	5%	RMC1/10T 000J	J24205000		1-	A	
R 9517	CHIP RES.	0	1/10W	5%	RMC1/10T 000J	J24205000		1-	A	
R 9518	CHIP RES.	1M	1/16W	5%	RMC1/16S 105JTH	J24189061		1-	A	
R 9519	CHIP RES.	0	1/10W	5%	RMC1/10T 000J	J24205000		1-	A	
R 9520	CHIP RES.	0	1/10W	5%	RMC1/10T 000J	J24205000		1-	A	
R 9521	CHIP RES.	6.8	1W	5%	RMC1 6R8JTE	J24305689		1-	A	
R 9523	CHIP RES.	10k	1/16W	1%	RMC1/16SK103FTH	J24189489		1-	A	
R 9525	CHIP RES.	27k	1/16W	1%	RMC1/16SK273FTH	J24189493		1-	A	
R 9526	CHIP RES.	27k	1/16W	1%	RMC1/16SK273FTH	J24189493		1-	A	
R 9528	CHIP RES.	0	1/10W	5%	RMC1/10T 000J	J24205000		1-	A	
R 9529	CHIP RES.	0	1/10W	5%	RMC1/10T 000J	J24205000		1-	A	
R 9530	CHIP RES.	27k	1/16W	1%	RMC1/16SK273FTH	J24189493		1-	A	
R 9531	CHIP RES.	1k	1/16W	1%	RMC1/16SK102FTH	J24189487		1-	A	
R 9532	CHIP RES.	56k	1/16W	1%	RMC1/16SK563FTH	J24189526		1-	A	
R 9533	CHIP RES.	27k	1/16W	1%	RMC1/16SK273FTH	J24189493		1-	A	
R 9534	CHIP RES.	1k	1/16W	1%	RMC1/16SK102FTH	J24189487		1-	A	
R 9535	CHIP RES.	56k	1/16W	1%	RMC1/16SK563FTH	J24189526		1-	A	
R 9536	CHIP RES.	0	1/10W	5%	RMC1/10T 000J	J24205000		1-	A	
R 9540	CHIP RES.	0	1/16W	5%	RMC1/16S JPTH	J24189070		1-	A	
SC9501	SHIELD CASE				(25X39)	RA619230A		1-	A	
SC9502	SHIELD CASE				(25X39)	RA619230A		1-	A	



Copyright 2021
YAESU MUSEN CO., LTD.
All rights reserved.

No portion of this manual may be
reproduced without the permission of
YAESU MUSEN CO., LTD.

YAESU MUSEN CO., LTD.

Tennozu Parkside Building
2-5-8 Higashi-Shinagawa, Shinagawa-ku, Tokyo 140-0002 Japan

YAESU USA

6125 Phyllis Drive, Cypress, CA 90630, U.S.A.

YAESU UK

Unit 12, Sun Valley Business Park, Winnall Close
Winchester, Hampshire, SO23 0LB, U.K.